

Part number

CHIR 48 LS



Bulkhead mounting housing, 180 °C series, with 1 lever, size "104.62", with metal cover

Product description		Material properties	
Product type	Bulkhead mounting housing	Other materials	Lever: Stainless steel Gasket: FKM
Series	180 °C	RoHs conformity	Compliant
Closing type	With 1 lever	China RoHs - EFUP	E
Size	Size "104.62"	REACH SVHC substances	No
Cable entry	Without cable entry	Approvals / Standards	
Specification	With metal cover	Certifications	DNV, BV
Technical data		UL	ECBT2
IP degree of protection	IP65	cUL	ECBT8
Further technical details		General ordering information	
Weight	668,00 g	EAN13 code	8015747019156
Operating temperature range (min, max)	-40°C ... +180°C	eCl@ss 8.1	27440202
		ETIM 7.0	EC000437
		Packaging Information	
		Packaging length	300,00 mm
		Packaging height	160,00 mm
		Packaging width	180,00 mm
		Packaging weight	2,86 kg
		Packaging volume	8,64 dm ³
		Packaging description	Carton box
		Packaging quantity	4 Pcs
		Packaging EAN code	8015747019163
		Sub-packaging weight	0,72 kg
		Sub-packaging description	Plastic packaging
		Sub-packaging quantity	1 Pcs
		Sub-packaging EAN barcode	8015747019170

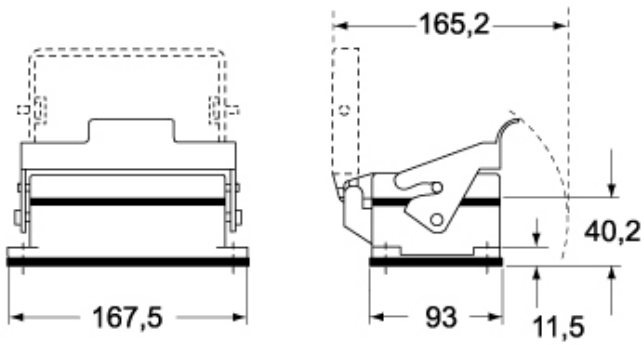
Part number

CHIR 48 LS

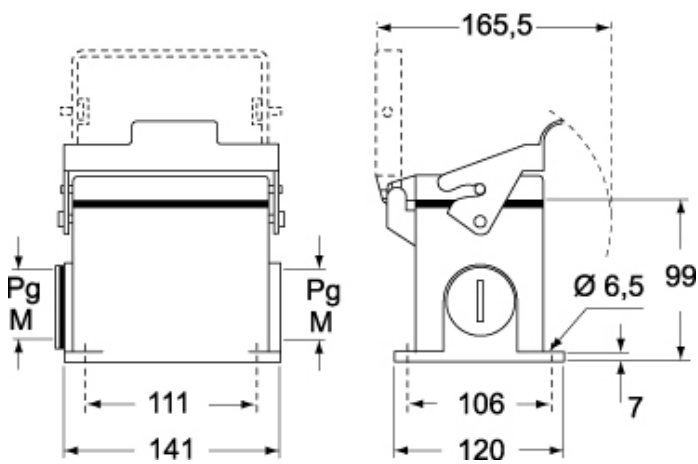


Catalogue drawings

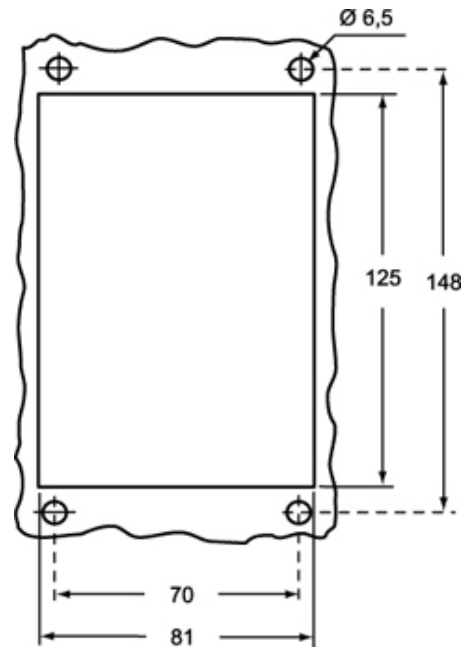
CHIR LS



CHPR LS - MHPR LS



Catalogue drawings



Notes

Dimensions shown in mm are not binding and may be changed without notice.