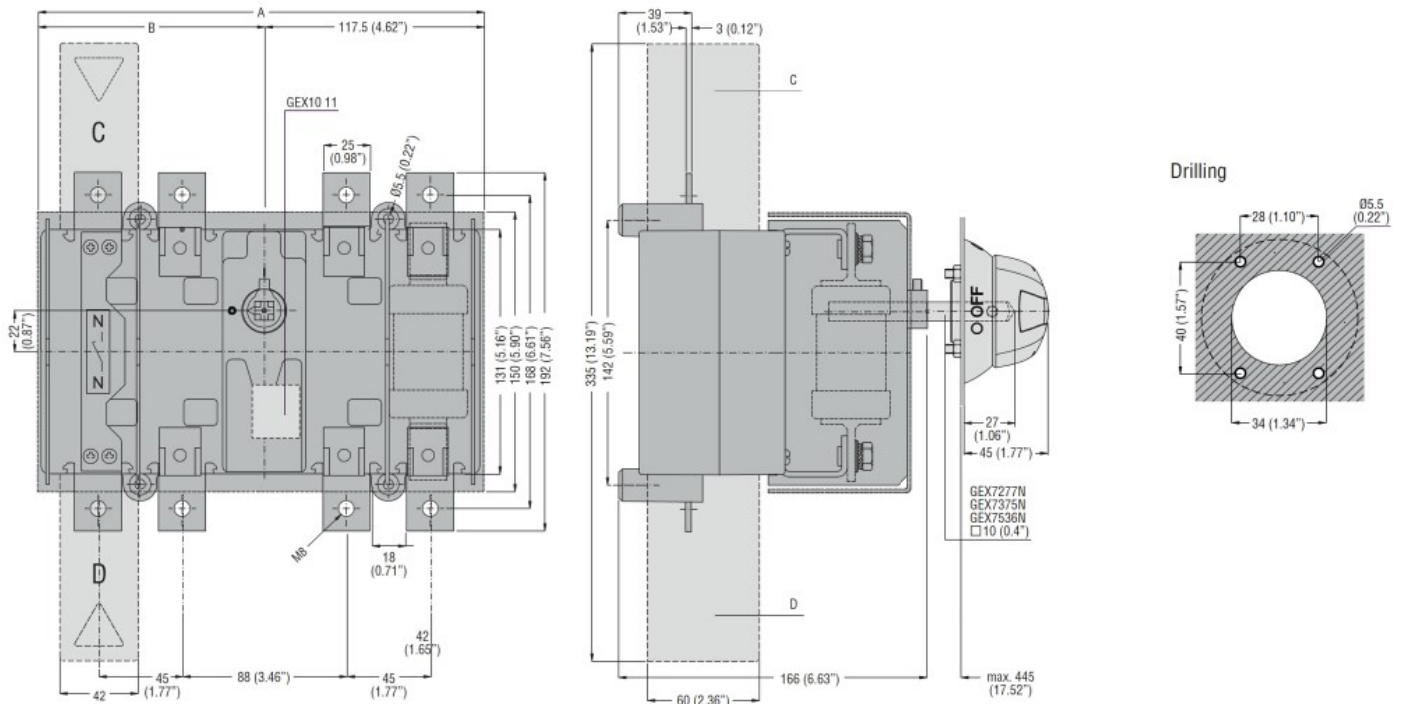




|   |                   |               |     |                               |
|---|-------------------|---------------|-----|-------------------------------|
| Product designation                                       |                   |               |     | Switch disconnecter with fuse |
| Product type designation                                  |                   |               |     | GE                            |
| Type of fuse  |                   |               |     | BS                            |
| Number of poles   | Nr.               |               |     | 4                             |
| Operating voltage type                                    |                   |               |     | AC                            |
| <b>Contact characteristics</b>                            |                   |               |     |                               |
| IEC Conventional free air thermal current I <sub>th</sub> | A                 |               |     | 200                           |
| Rated insulation voltage U <sub>i</sub> IEC/EN            | V                 |               |     | 800                           |
| Rated impulse withstand voltage U <sub>imp</sub>          | kV                |               |     | 8                             |
| Operating current I <sub>e</sub>                          |                   |               |     |                               |
| AC21A   | 400V              | A             | 200 |                               |
|   | 500V              | A             | 200 |                               |
|   | 690V              | A             | 200 |                               |
| AC22A   | 400V              | A             | 200 |                               |
|   | 500V              | A             | 200 |                               |
|   | 690V              | A             | 200 |                               |
| AC23A   | 400V              | A             | 200 |                               |
|   | 500V              | A             | 200 |                               |
|   | 690V              | A             | 160 |                               |
| Power dissipation per pole max                            | W                 |               |     | 13                            |
| Rated operational power AC23A                             | 400V              | kW            | 110 |                               |
|   | 690V              | kW            | 132 |                               |
| Conditional short-circuit current (rms)                   | kA                |               |     | 100                           |
| Specific let through energy I <sup>2</sup> t              | kA <sup>2</sup> s |               |     | 0.478                         |
| Making capacity AC23A 400V                                | A                 |               |     | 2000                          |
| Breaking capacity AC23A 400V                              | A                 |               |     | 1600                          |
| Mechanical life   | cycles            |               |     | 10000                         |
| Electrical life AC21A                                     | cycles            |               |     | 1000 (AC23A 400V)             |
| <b>Mechanical features</b>                                |                   |               |     |                               |
| Operating position  | normal            | Vertical plan |     |                               |
|   | allowable         | Any           |     |                               |
| Fixing  |                   |               |     | Screw                         |
| Terminals   | type              | Bar           |     |                               |
|   | screw             | M8            |     |                               |
| Tightening torque for terminals                           | max               | Nm            | 13  |                               |
|   | max               | lbin          | 10  |                               |

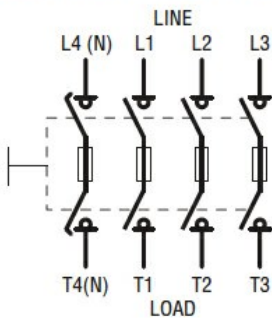
|                                    |      |      |     |
|------------------------------------|------|------|-----|
| Bar dimensions max                 | 25x3 |      |     |
| <b>Ambient conditions</b>          |      |      |     |
| Operating temperature              | min  | °C   | -25 |
|                                    | max  | °C   | 55  |
| <b>Storage temperature</b>         |      |      |     |
|                                    | min  | °C   | -40 |
|                                    | max  | °C   | 70  |
| Max altitude                       | m    | 3000 |     |
| <b>Resistance &amp; Protection</b> |      |      |     |
| Frontal IP degree                  | IP20 |      |     |
| Pollution degree                   | 3    |      |     |
| <b>Dimensions</b>                  |      |      |     |



**Wiring diagrams**

Four-pole disconnectors with fuse holders

- GE0050 FT4 - GE0125 FT4**
- GE0160 NT4 - GE0800 NT4**
- GE0160 BT4 - GE0800 BT4**



**Certifications and compliance**

Compliance

- IEC/EN 60947-1
- IEC/EN 60947-3

Certifications

EAC

ETIM classification

ETIM 8.0

EC000216 -  
Switch  
disconnector