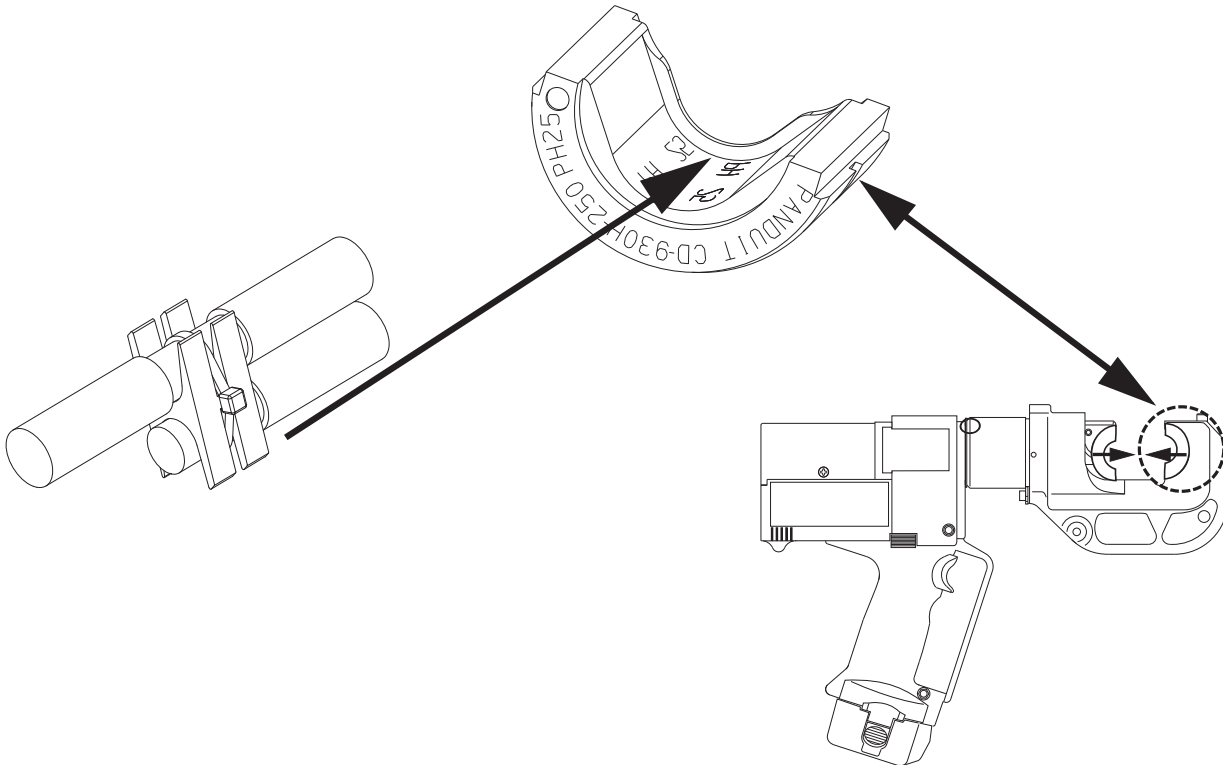


**TABLE 1
GENERAL INFORMATION**

H-TAP PART NUMBER	CLEAR COVER PART NUMBER	COVER DIMENSION AFTER ASSEMBLY (LxWxH) (in.)	COPPER CONDUCTOR SIZES CODE WIRE (FLEX WIRE)				WIRE STRIP LENGTH (in.)	CRIMP DIE COLOR CODE	PANDUIT INSTALLATION TOOLS		
			MAIN	TAP 1	TAP 2	TAP 3			CT-940CH CT-2940	CT-2931 CT-2930 CT-930 CT-930CH	CT-920 CT-920CH CT-2920
									CRIMP DIE NO./DIE INDEX NO. (# OF CRIMPS = 1)		
HTCT8-8-1	CLRCVR1-1	4-1/2 x 1-7/16 x 1-5/16	8-14 (8-14)	8-14 (8-14)	—	—	19/32	GREEN	CD-920H-8* PH8	CD-920H-8 PH8	CD-920H-8 PH8
HTCT6-6-1	CLRCVR1-1	4-1/2 x 1-7/16 x 1-5/16	6-10 (6-10)	6-14 (6-14)	—	—	11/16	ORANGE	CD-920H-6* PH6	CD-920H-6 PH6	CD-920H-6 PH6
HTCT6X-6X-1	CLRCVR1-1	4-1/2 x 1-7/16 x 1-5/16	6-14 (6-14)	6-14 (6-14)	—	—	11/16	ORANGE	CD-920H-6* PH6	CD-920H-6 PH6	CD-920H-6 PH6
HTCT2-2-1	CLRCVR2-1	5-1/8 x 1-11/16 x 1-1/2	2-6 STR/SOL (2-8)	2-6 STR/SOL (2-8)	8-14 (8-14)	8-14 (8-14)	13/16	BROWN	CD-920H-2* PH2	CD-920H-2 PH2	CD-920H-2 PH2
HTCT250-2-1	CLRCVR3-1	5-3/8 x 2-3/16 x 1-1/2	250-2 (4/0-2)	2-6 STR/SOL (2-8)	8-14 (8-14)	—	1	PURPLE	CD-930H-250* PH25	CD-930H-250 PH25	—
HTCT250-250-1	CLRCVR3-1	5-3/8 x 2-3/16 x 1-1/2	250-2 (4/0-2)	250-2 (4/0-2)	—	—	1	PURPLE	CD-930H-250* PH25	CD-930H-250 PH25	—

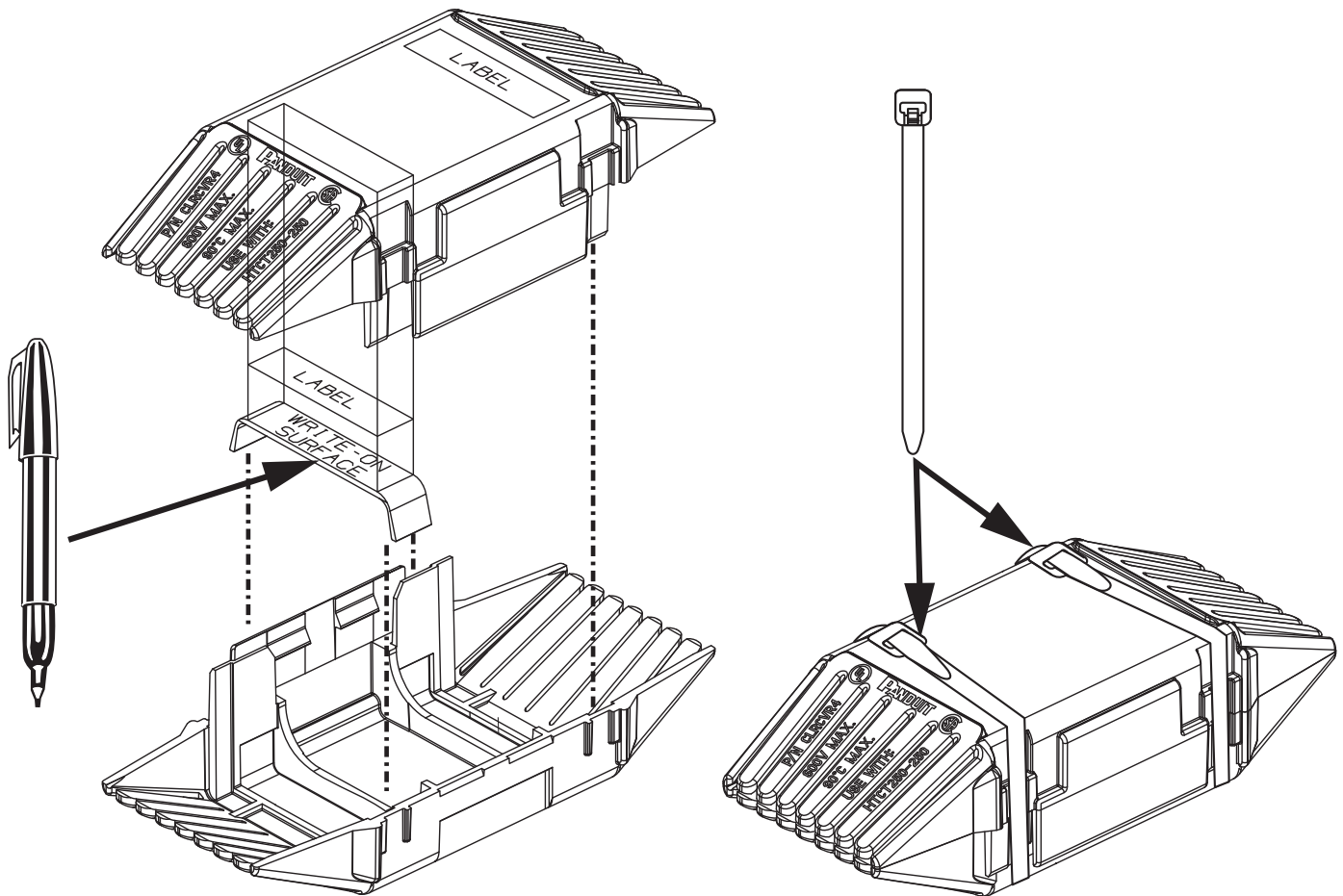
*Requires CD-940-DA adapter when used with CT-940CH and CT-2940 tools.



INSTALLATION INSTRUCTIONS: T-PMPI-258-PC

TABLE 2
LABEL SIZE INFORMATION

CLEAR COVER PART NUMBER	LABEL HEIGHT (MAX.)	LABEL LENGTH (WRAP AROUND STYLE)	LABEL LENGTH (FLAT STYLE)
CLRCVR1-1	.38	1.56	1.00
CLRCVR2-1	.38	1.87	1.25
CLRCVR3-1	.38	2.37	1.75



INSTALLATION INSTRUCTIONS: T-PMPI-258-PC

**TABLE 3
WIRE CLASSES AND STRANDING REFERENCE**

Wire Size	Wire Classes								
	Class B	Class C	Class G	Class H	Class I	Class K	Class L	Class M	DLO
14 AWG	7	19	49	—	—	41	65	104	19
12 AWG	7	19	49	—	—	65	104	168	19
10 AWG	7	19	49	—	26	104	165	259	27
9 AWG	7	19	49	133	33	133	—	336	—
8 AWG	7	19	49	133	41	168	—	420	37
7 AWG	7	19	49	133	52	210	—	532	—
6 AWG	7	19	49	133	63	266	—	665	61
5 AWG	7	19	49	133	84	336	—	836	91
4 AWG	7	19	49	133	105	420	—	1064	105
3 AWG	7	19	49	133	133	532	—	1323	125
2 AWG	7	19	49	133	161	665	—	1666	150
1 AWG	19	37	133	259	210	836	—	2107	225
1/0	19	37	133	259	266	1064	—	2646	275
2/0	19	37	133	259	342	1323	—	3325	325
3/0	19	37	133	259	418	1666	—	4256	450
4/0	19	37	133	259	532	2107	—	5320	550
250 kcmil	37	61	259	427	637	2499	—	6384	—
262 kcmil	—	—	—	—	—	—	—	—	650
300 kcmil	37	61	259	427	735	2989	—	7581	—
313 kcmil	—	—	—	—	—	—	—	—	775
350 kcmil	37	61	259	427	882	3458	—	8806	—
373 kcmil	—	—	—	—	—	—	—	—	925
400 kcmil	37	61	259	427	980	3990	—	10101	—
444 kcmil	—	—	—	—	—	—	—	—	1100
450 kcmil	37	61	259	427	1127	4522	—	11396	—
500 kcmil	37	61	259	427	1225	5054	—	12691	—
535 kcmil	—	—	—	—	—	—	—	—	1325
550 kcmil	61	91	427	703	1372	5453	—	13664	—
600 kcmil	61	91	427	703	1470	5985	—	14945	—
646 kcmil	—	—	—	—	—	—	—	—	1600
650 kcmil	61	91	427	703	1596	6517	—	16226	—
700 kcmil	61	91	427	703	1729	6916	—	17507	—
750 kcmil	61	91	427	703	1862	7581	—	18788	—
777 kcmil	—	—	—	—	—	—	—	—	1925
800 kcmil	61	91	427	703	1955	7980	—	20069	—
900 kcmil	61	91	427	703	2261	9065	—	22631	—
929 kcmil	—	—	—	—	—	—	—	—	2300
1000 kcmil	61	91	427	703	2527	10101	—	25193	—
1111 kcmil	—	—	—	—	—	—	—	—	2750



PANDUIT®
www.panduit.com

For Instructions in Local Languages
and Technical Support:
http://www.panduit.com/resources/install_maintain.asp

E-mail:
cs@panduit.com
Fax:
(815)485-5839