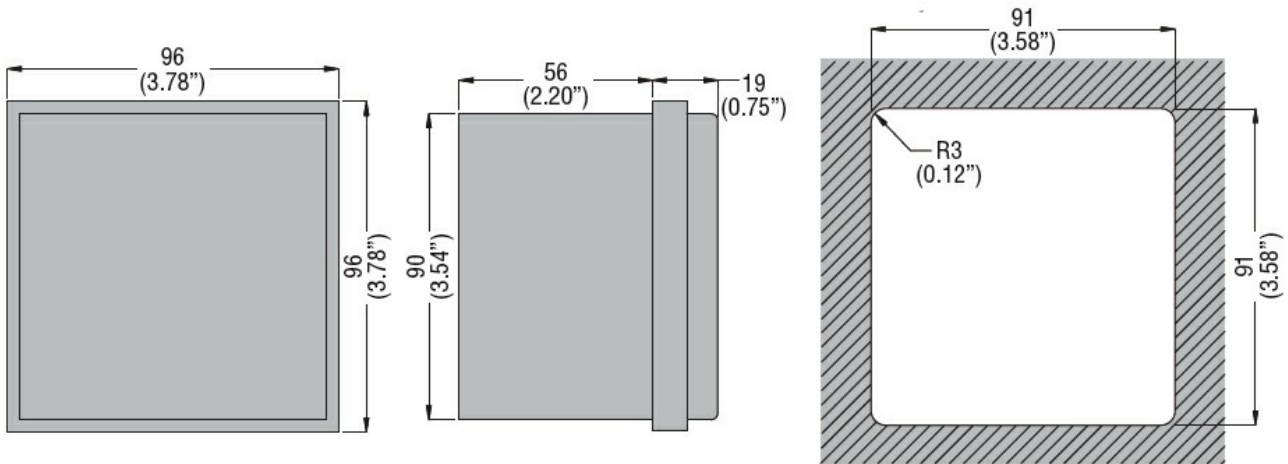


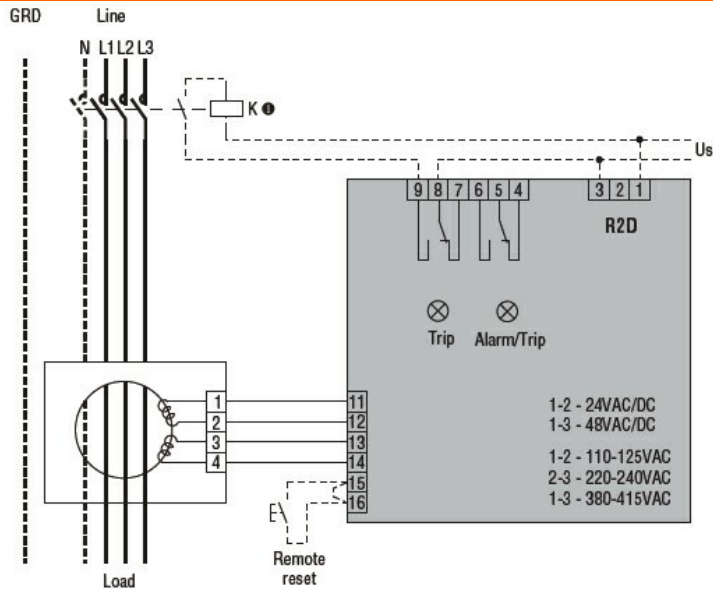


Product designation	Earth leakage relays		
Product type designation	R2D		
General characteristics			
Description	Flush mount with transparent cover, 2 operating thresholds		
N° of operating threshold	2		
Control circuit			
Toroidal transformer	External		
Adjustments			
Tripping set-point ($I_{\Delta n}$)	(x0.1)	A	0.025...0.25
	(x1)	A	0.25...2.5
	(x10)	A	2.5...25
	(external multiplier)	A	25...250
Prealarm set-point		$I_{\Delta n}$	70% $I_{\Delta n}$ (fixed)
Tripping delay time	(tx1)	s	0.02...0.5
	(tx10)	s	0.2...5
Selection of multiplier for $I_{\Delta n}$ and t	By dip switches		
Resetting	Automatic by remote contact closing. Manual by button on front or remote contact closing		
Test Button	Yes		
Shunt circuit control	No		
Auxiliary supply			
Auxiliary rated supply voltage U_s	110...125/220...240/380...415VAC		
Operational limits	110...125VAC or 220...240VAC or 380...415VAC		
Output contacts	2		
Rated frequency	Hz	50...60	
Power consumption Max	VA	4.5	
Relay outputs			
Relay state	Configurable normally de-energised or energised		

Contact arrangement				2 changeover SPDT each (configurable: 2 trip or 1 trip and 1 alarm)
Rated contact capacity IEC Ith				5A - 250VAC
Insulations				
Power frequency withstand voltage	kV			2.5kV for 60s
Indications				
Auxiliary voltage available (ON)				Green LED
Relay tripping (TRIP)				Red LED
Trip prealarm (ALARM)				Red LED
Connections				
Terminals type				Fixed
Tightening torque for terminals		max	Nm	0.5
		max	lbin	4.5
Conductor section				
	AWG/Kcmil		min	24
			max	12
	IEC		min	mm ² 0.2
			max	mm ² 2.5
Operations				
Mechanical life	cycles			50000000
Electrical life	cycles			300000
Ambient conditions				
Temperature				
	Operating temperature		min	°C -10
			max	°C +60
	Storage temperature		min	°C -20
			max	°C +80
Relative humidity				% ≤90%
Housing				
Material				Self-extinguishing polycarbonate
Mounting				Flush mount
Degree of protection				IP40 with protecting cover, IP20 terminals
Dimensions (W x H x D)	mm			96x96x75
Weight	g			395
Dimensions				



Wiring diagrams



Certifications and compliance

Compliant with standards

IEC/EN 60947-2

Certificates

EAC

ETIM classification

ETIM 8.0

EC001445 -
Residual current
monitoring relay