



Product designation				Changeover Switch
Product type designation				GLC
Number of poles	Nr.			3
Operating voltage type				AC
Contact characteristics				
IEC Conventional free air thermal current I _{th}	A			315
Rated insulation voltage U _i IEC/EN	V			1000
Rated impulse withstand voltage U _{imp}	kV			12
Operating current I _e				
AC23A	400V	A	315	
AC-31B	400V	A	315	
	500V	A	315	
	690V	A	315	
AC-32B	400V	A	315	
	500V	A	315	
	690V	A	315	
AC-33B	400V	A	250	
	500V	A	250	
	690V	A	250	
Power dissipation per pole max	W			6.5
Rated operational power AC23A	400V	kW	140	
	690V	kW	250	
Rated short time current (1s) I _{cw} (rms)	kA			6
Rated short time current (0.3s) I _{cw} (rms)	kA			12
Conditional short-circuit current (rms)	kA			100
Short-circuit protection with fuse	Class/A			gG/315
Making capacity AC23A 400V	A			2500
Breaking capacity AC23A 400V	A			2000
Mechanical life	cycles			20000
Mechanical features				
Operating position	normal	Vertical plan		
	allowable	Any		
Fixing				Screw
Terminals	type			M8 x 20
Tightening torque for terminals	min	Nm	15	
	max	Nm	22	

	min	lbin	132
	max	lbin	194

Conductor section	IEC min	mm ²	1X182
	IEC max	mm ²	2X185
	AWG/kcmil min		1X400
	AWG/kcmil max		2X350

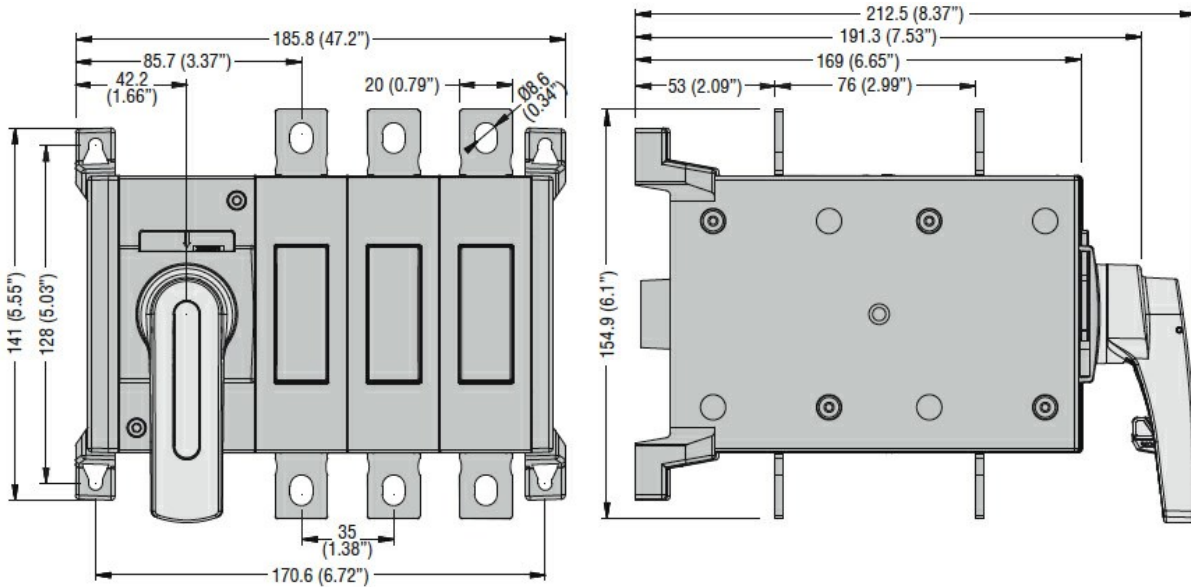
Ambient conditions

Operating temperature	min	°C	-25
	max	°C	+55

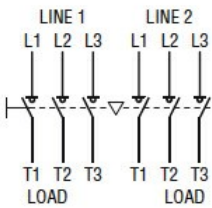
Storage temperature	min	°C	-40
	max	°C	+70

Max altitude	m	3000
--------------	---	------

Dimensions



Wiring diagrams



Certifications and compliance

Compliance	IEC/EN 60947-1
	IEC/EN 60947-3
	IEC/EN 60947-6-1

ETIM classification

ETIM 8.0	EC000216 - Switch disconnecter
----------	--------------------------------