



Signal beacons
Ø62mm/2.44"
8LB6EL

Product designation

Product type designation

General characteristics

Diameter mm - inch 62 / 2.44

Colour Yellow

IEC degree of protection IP54

Mechanical features

Tightening torque for terminals max Nm 0.5

Terminals screw Screw clamp terminals

Conductor section

AWG/Kcmil

max 16

IEC

max mm² 1.5

Weight g 60

Ambient conditions

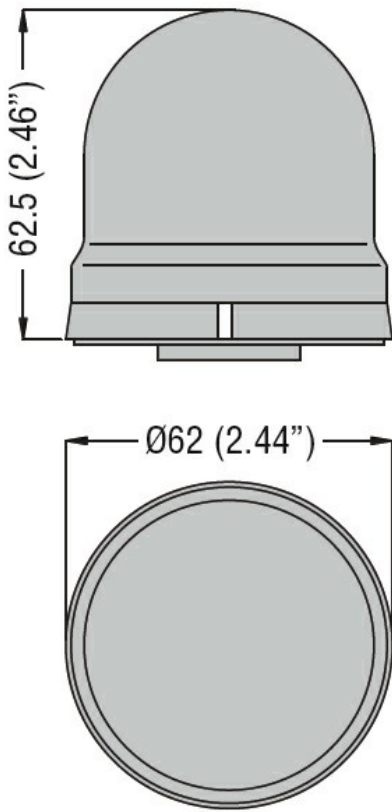
Temperature

Operating temperature

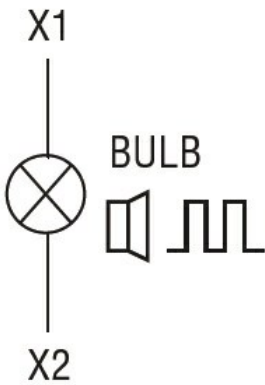
min °C -20

max °C +50

Dimensions



Wiring diagrams



Certifications and compliance

Compliance

IEC/EN 60947-1
 IEC/EN 60947-5-1

Certificates

EAC

ETIM classification

ETIM 8.0

EC000232 -
 Optical module
 for signal tower