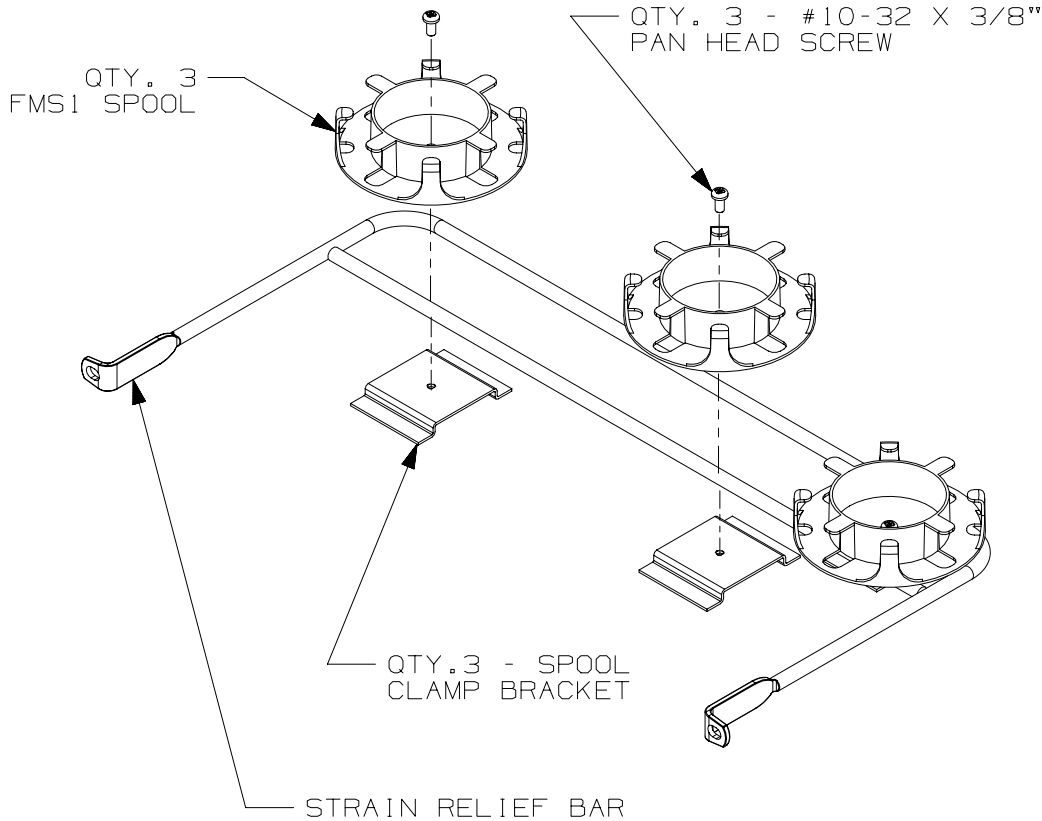


THIS COPY IS PROVIDED ON A RESTRICTED BASIS AND IS NOT TO BE USED IN ANY WAY DETRIMENTAL TO THE INTERESTS OF PANDUIT CORP.



PANDUIT PART NO.	WEIGHT
FQCRCM	1.70 LBS/EACH 771 g/EACH

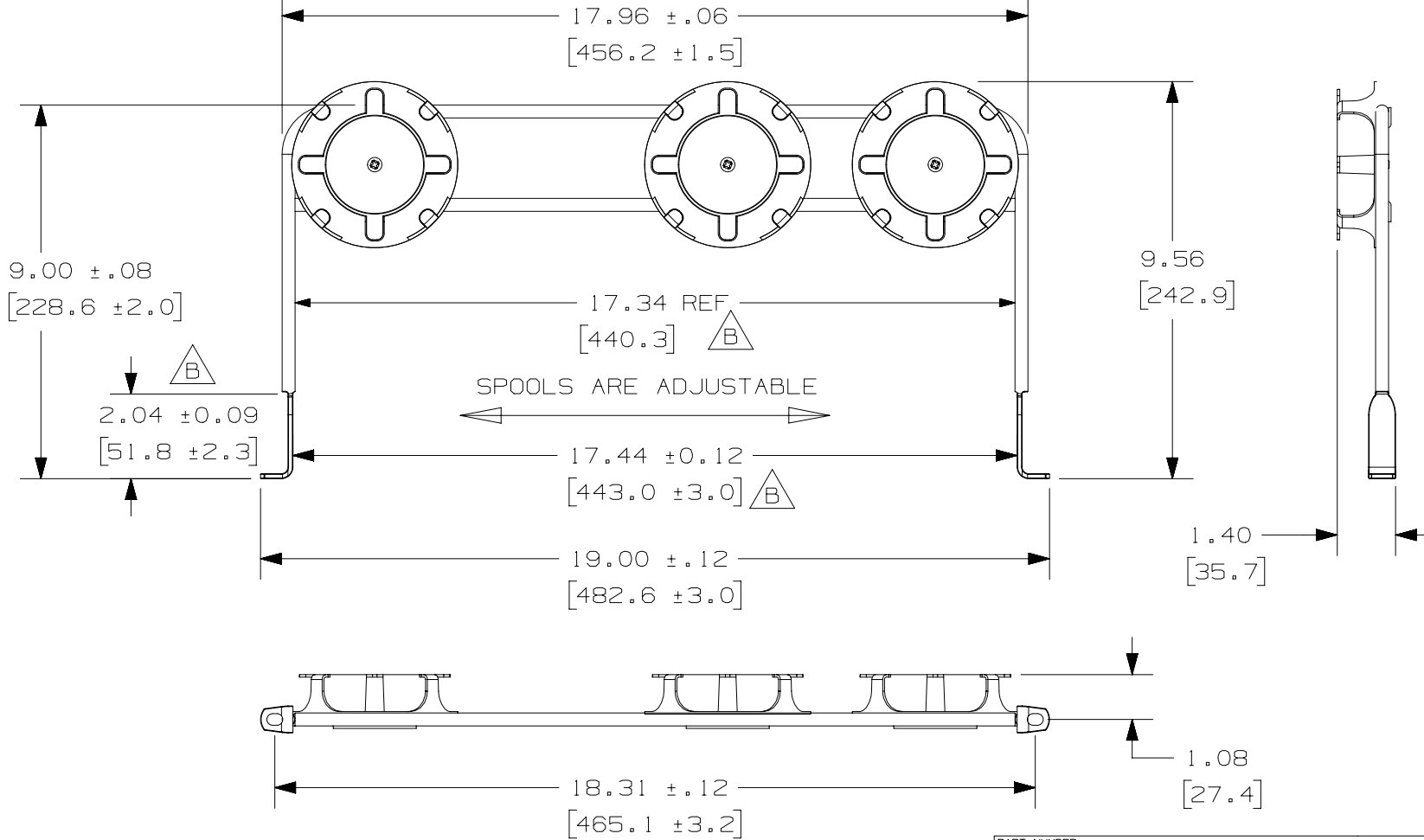
- SEE CATALOG FOR COMPLETE LIST OF PARTS APPLICABLE FOR USE WITH THIS PART.
- ALL DIMENSIONS IN BRACKETS [] ARE METRIC.
- STRAIN RELIEF BAR MATERIAL IS $\phi 5/16$ " COLD ROLLED STEEL.
- SPOOL CLAMP BRACKET IS MADE FROM 16 GA. (.06") GALVANNEALED STEEL, ASTM A653 A60 OR C.R.S.
- THE STRAIN RELIEF BAR AND SPOOL CLAMP BRACKETS ARE PAINTED BLACK.
- PART INCLUDES:
 - (3) #10-32 X 3/8" PAN HEAD SCREWS
 - (1) #12-24 X 1/2" SCREW KIT CONTAINING QTY. 4 RACK MOUNTING SCREWS
 - (1) M6X1.0-6HX15MM SCREW KIT CONTAINING QTY. 4 RACK MOUNTING SCREWS
 - (3) FMS1 FIBER SLACK MANAGEMENT SPOOLS
 - (3) SPOOL CLAMP BRACKETS
 - (1) STRAIN RELIEF BAR

PART NUMBER		FQCRCM	
TITLE			
FIBER QUICKNET CASSETTE REAR CABLE MANAGER			
CUSTOMER DRAWING			
ITEM REVISION NAME		F00081AM/01	
DATASET FILE NAME		F00081AM_DC/01C	
UNLESS OTHERWISE SPECIFIED, DIMENSIONAL TOLERANCES ARE: IN (mm)		MATERIAL:	
.X ±		.XXX ±	
.XX ±		ANGLES ±	
DRAWN BY		SCALE	
DAJP		NONE	
DATE		SHT 1 OF 1	
08-21-09		A	
CHK		DRAWING NUMBER:	
WJM		00081-06	
SIZE		THIRD ANGLE PROJECTION	
A		SEE NOTES	

REV	DATE	BY	CHK	APR	DESCRIPTION	ECN
01C	9/25/18	JSP	WJM	AW	B. ADDED ADDITIONAL INSIDE DIMENSIONS	00081-06

D101000DA/14

THIS COPY IS PROVIDED ON A RESTRICTED BASIS AND IS NOT TO BE USED IN ANY WAY DETRIMENTAL TO THE INTERESTS OF PANDUIT CORP.



PART NUMBER		FQCRCM	
TITLE			
FIBER QUICKNET CASSETTE REAR CABLE MANAGER			
CUSTOMER DRAWING			
ITEM REVISION NAME		F00081AM/01	
DATASET FILE NAME		F00081AM_DC/01C	
UNLESS OTHERWISE SPECIFIED, DIMENSIONAL TOLERANCES ARE: IN (mm)		PANDUIT	
.X ± .XX ±			
.XXX ± ANGLES ±		DRAWING NUMBER:	
THIRD ANGLE PROJECTION		00081-06	
DRAWN BY	DATE	CHK	SCALE
DAJP	08-21-09	WJM	NONE
SHT 2 OF 2			SIZE
			A

SEE SHEET 1 OF 2 FOR REVISION CONTROL

REV	DATE	BY	CHK	APR	DESCRIPTION	ECN

D10100DA/14