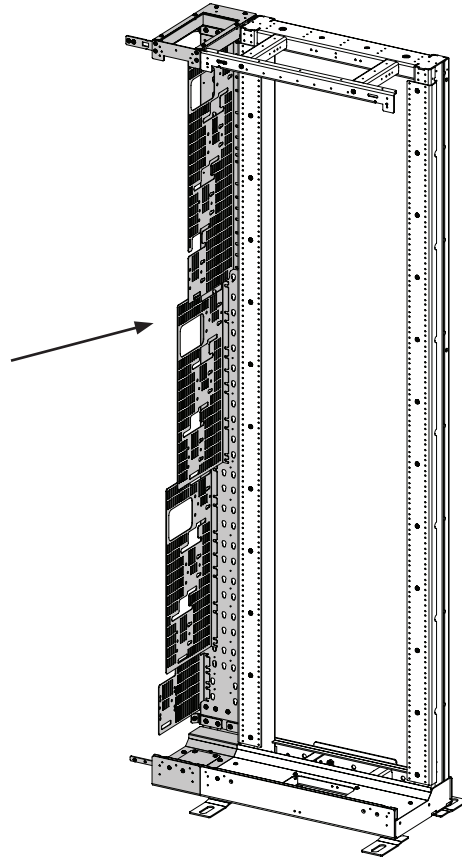
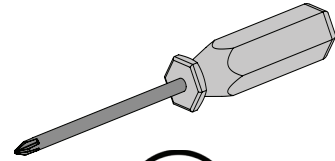


**FDFVCM1545\*\***  
FlexCore™ 150mm  
Vertical Cable Manager  
*shown ganged to  
FlexCore™ Optical  
Distribution Frame*

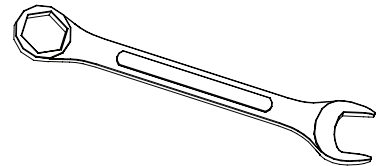


#### Tool List

Phillips screwdriver

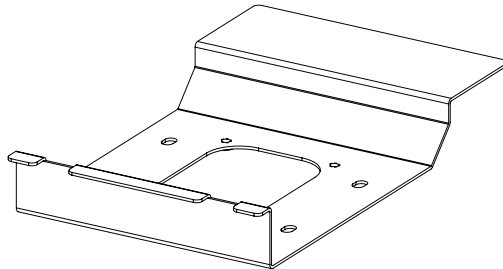
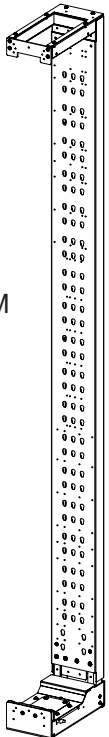


1" Open End Wrench

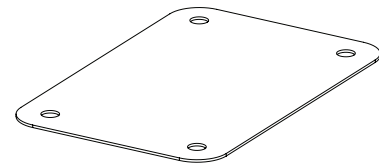


#### Components included

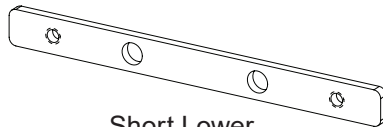
150mm VCM  
Frame  
Qty: 1



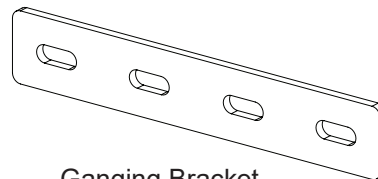
Lower Cable  
Pathway  
Qty: 1



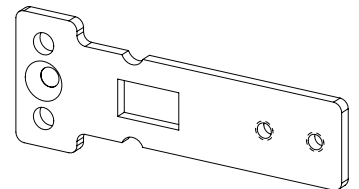
Lower Pathway  
Access Cover  
Qty: 1



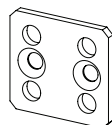
Short Lower  
Ganging Bracket  
Qty: 2



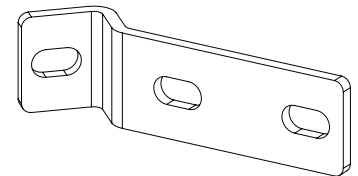
Ganging Bracket  
Qty: 2



Halo Ganging Bracket  
Qty: 2

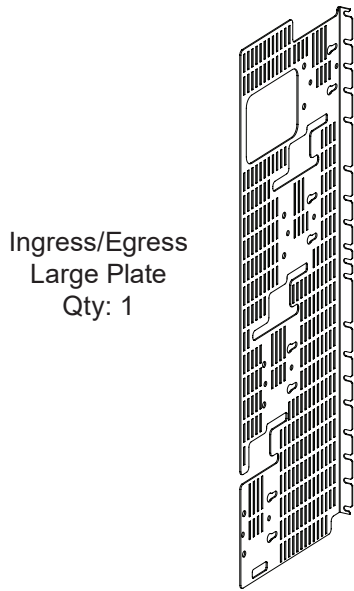


VCM Ganging Bracket  
Qty: 1

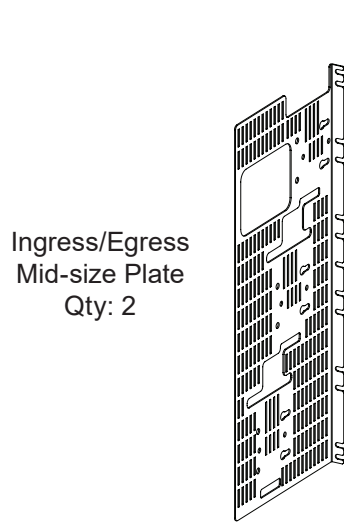


Offset Attachment Bracket  
Qty: 4

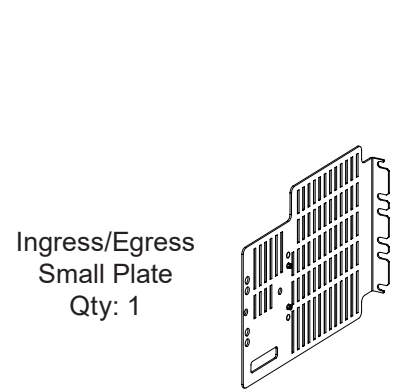
For Technical Support: [www.panduit.com/resources/install\\_maintain.asp](http://www.panduit.com/resources/install_maintain.asp)



Ingress/Egress  
Large Plate  
Qty: 1

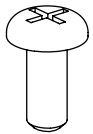


Ingress/Egress  
Mid-size Plate  
Qty: 2



Ingress/Egress  
Small Plate  
Qty: 1

**Hardware included**



#12-24 x 1/2  
Pan Head screw  
Qty: 24



#12 Tooth Lockwasher  
Qty: 24



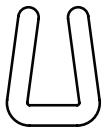
#12-24 x 1/2  
Flat Head screw  
Qty: 4



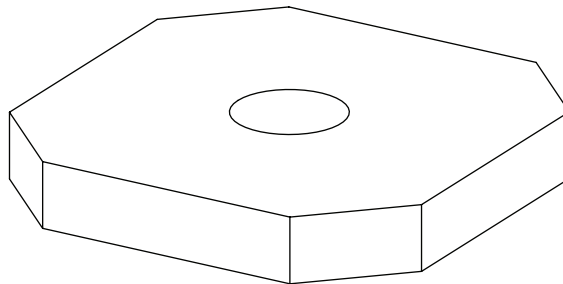
#10-32 x 1/2  
Pan Head screw  
Qty: 23



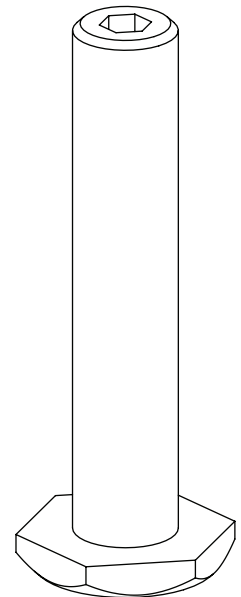
#10 Tooth Lockwasher  
Qty: 23



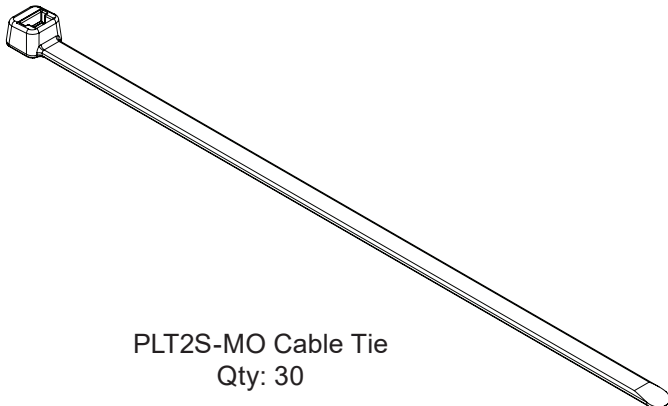
Grommet Edging  
Qty: 6 feet



Seismic Washer  
Qty: 1



Leveling Leg  
Qty: 1



PLT2S-MO Cable Tie  
Qty: 30



HLSP1.5S-XO  
Velcro Cable Tie  
Qty: 30



**WARNING**

**Vertical Cable Manager Tipping Hazard**

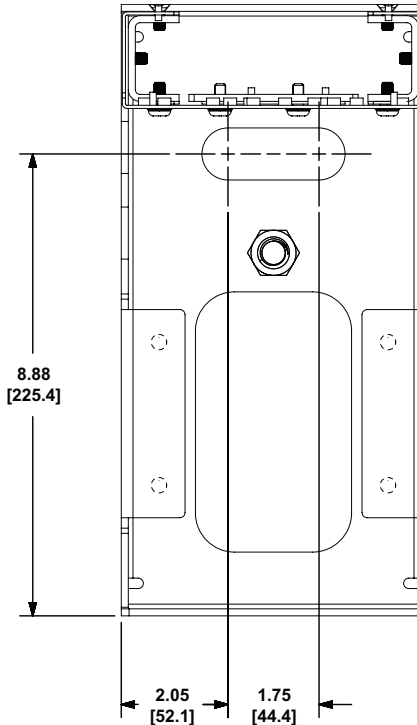
Mount the Vertical Cable Manager to floor and/or gang it to a previously floor mounted frame or second Vertical Cable Manager before installing equipment in the Vertical Cable Manager .

**FAILURE TO FOLLOW THESE INSTRUCTIONS CAN LEAD TO SERIOUS INJURY, DEATH, OR DAMAGE TO YOUR EQUIPMENT.**

**Floor Mounting - Seismic 3 Applications**

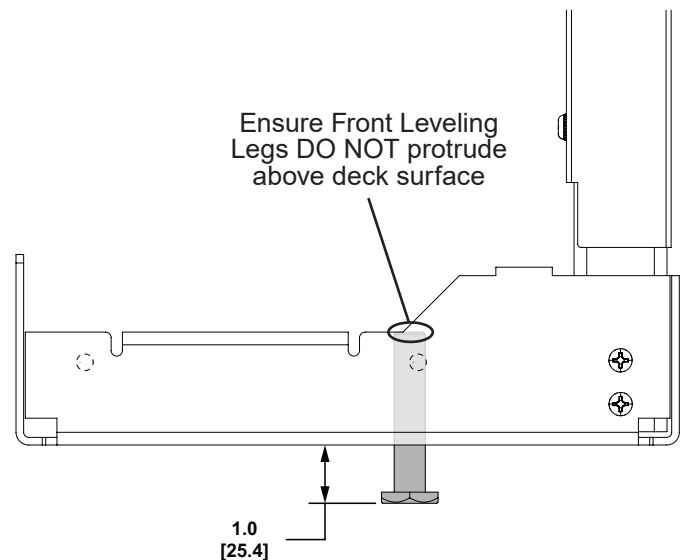
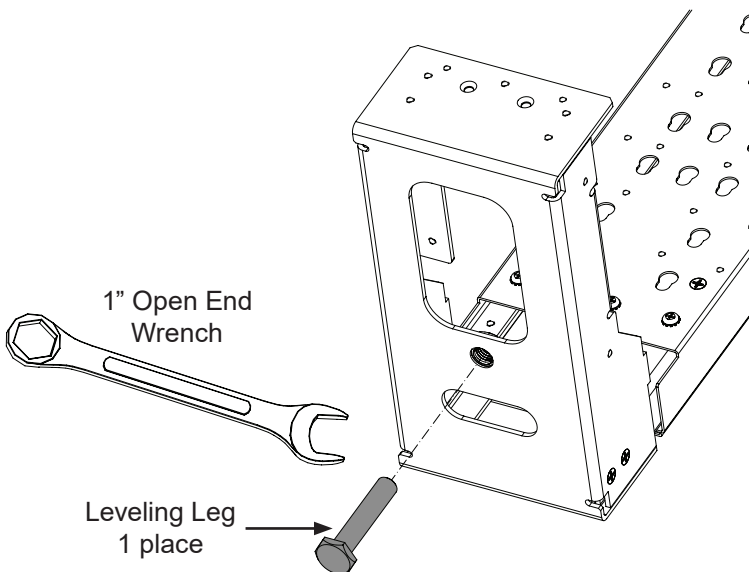
- See Floor Mounting View below for floor mounting dimensions
- If floor is level, attach the anchors to the floor with appropriate hardware for your type of floor

*Note: If floor is not level, shims may be required to level the Vertical Cable Manager (shims not provided)*



**Floor Mounting - Unlevel Floor (not recommended for seismic zones)**

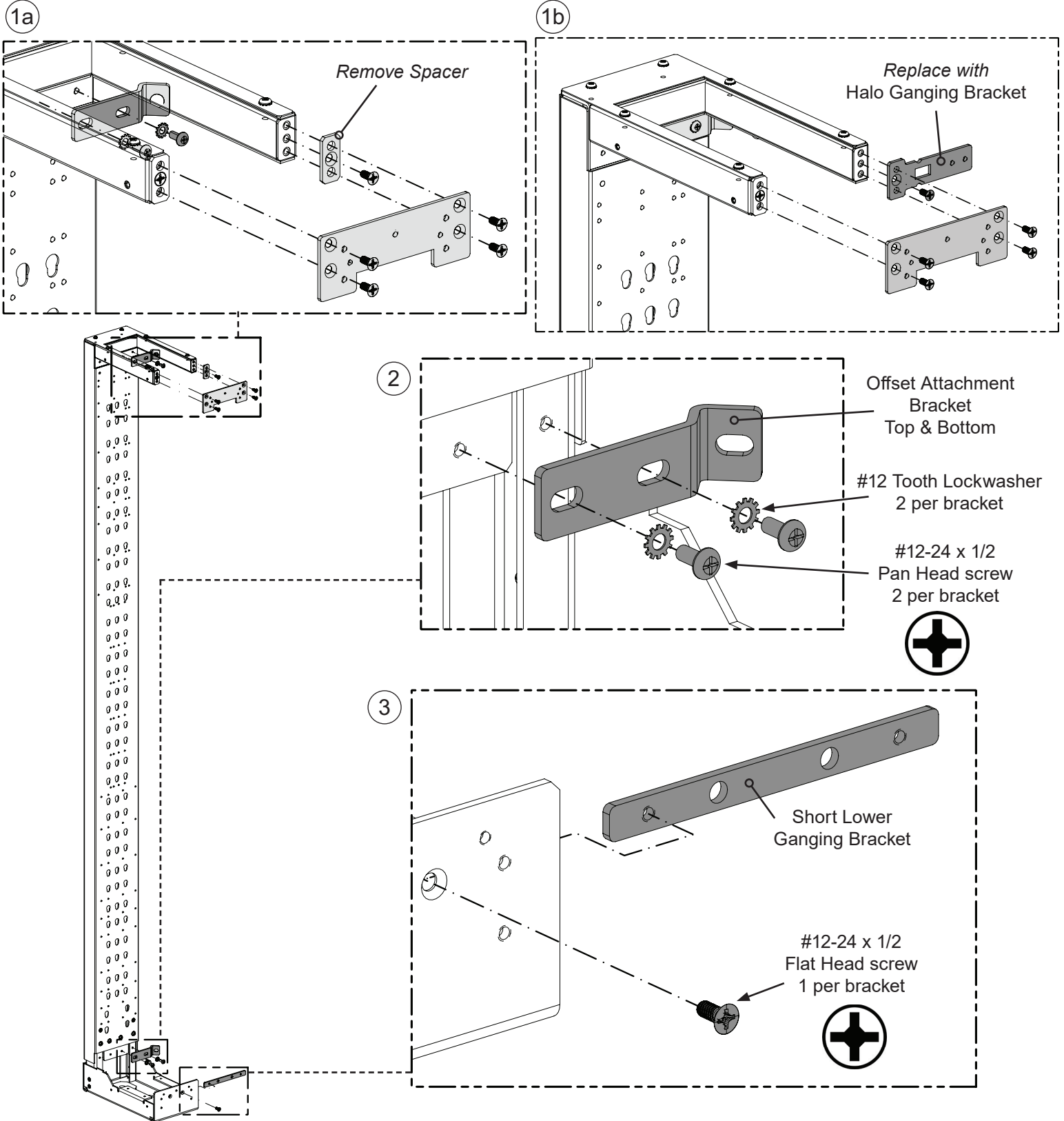
- Mount (1) Leveling Legs to the bottom of the Vertical Cable Manager as shown
- Ensure the Leveling do not protrude above the deck of the Vertical Cable Manager as shown.
- Legs should be extended at least 1.0"



**For Technical Support: [www.panduit.com/resources/install\\_maintain.asp](http://www.panduit.com/resources/install_maintain.asp)**

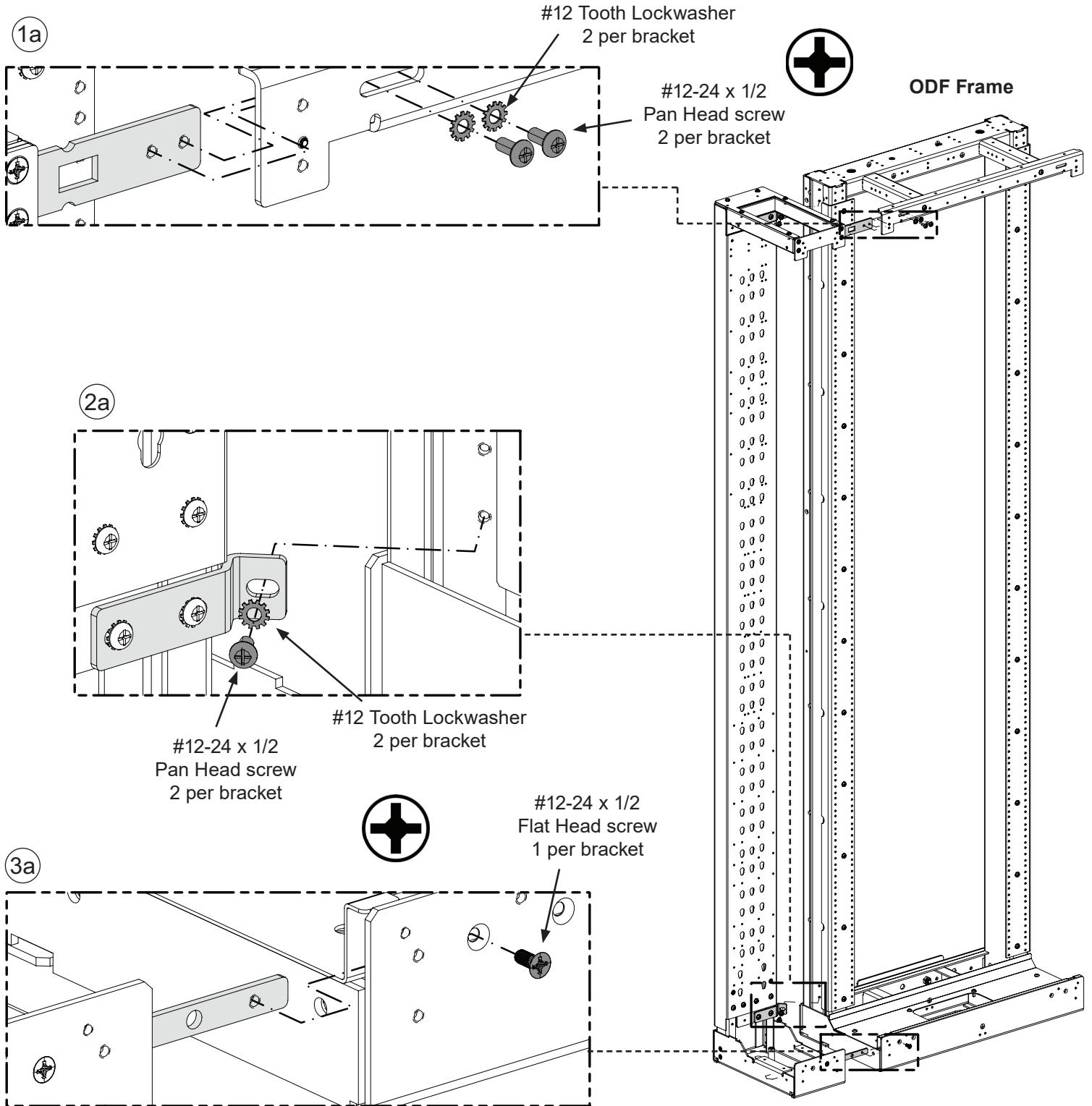
### Ganging Vertical Cable Manager to Frame

- Temporarily remove front plate of Halo to access and remove the spacer (Figure 1a)
- On sides that are being ganged to Frame, replace the spacer with Halo Ganging Bracket and re-assemble (Figure 1b)
- Install Offset Attachment Brackets to sides that are being ganged to Frame (Figure 2)
- Install Short Lower Ganging Brackets to sides that are being ganged to Frame (Figure 3)



### Ganging Vertical Cable Manager to Frame - continued

- Slide Vertical Cable Manager into the Frame, aligning various ganging brackets to their mating holes on Frame
- Attach & tighten hardware to complete ganging



## Ganging Vertical Cable Manager to Frame - continued

- Tighten all hardware to complete ganging



# DANGER

### Electrical Shock Hazard

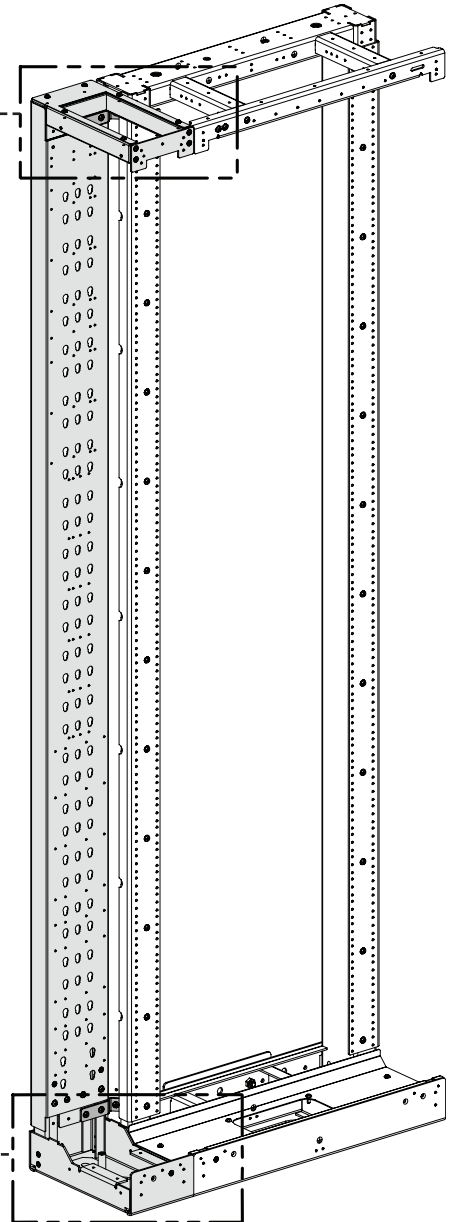
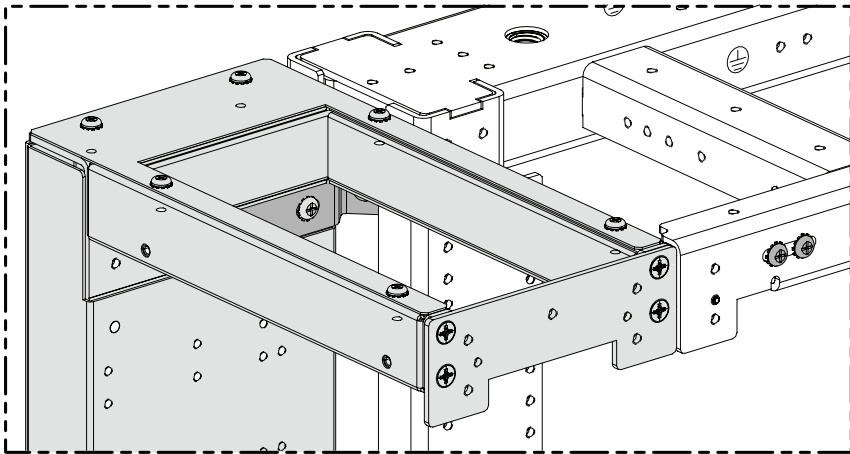
Each Vertical cable Manager must be connected to the Common Bonding Network (CBN).

**FAILURE TO FOLLOW THESE INSTRUCTIONS CAN LEAD TO SERIOUS INJURY, DEATH, OR DAMAGE TO YOUR EQUIPMENT.**

### Grounding

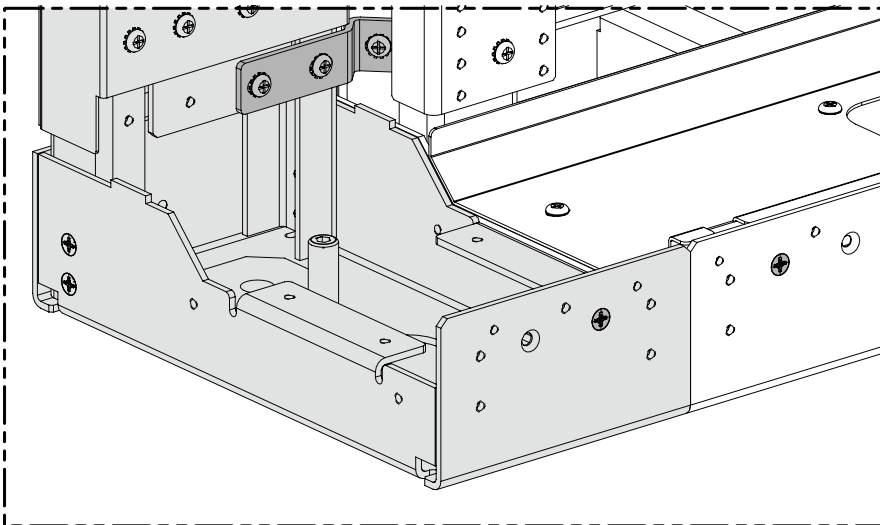
- The Vertical Cable Manager only becomes grounded when ganged to the FlexCore™ Frame that has previously been properly bonded to the Common Bonding Network (CBN) per FlexCore™ Optical Distribution Frame Instructions FS190.

1b



2b

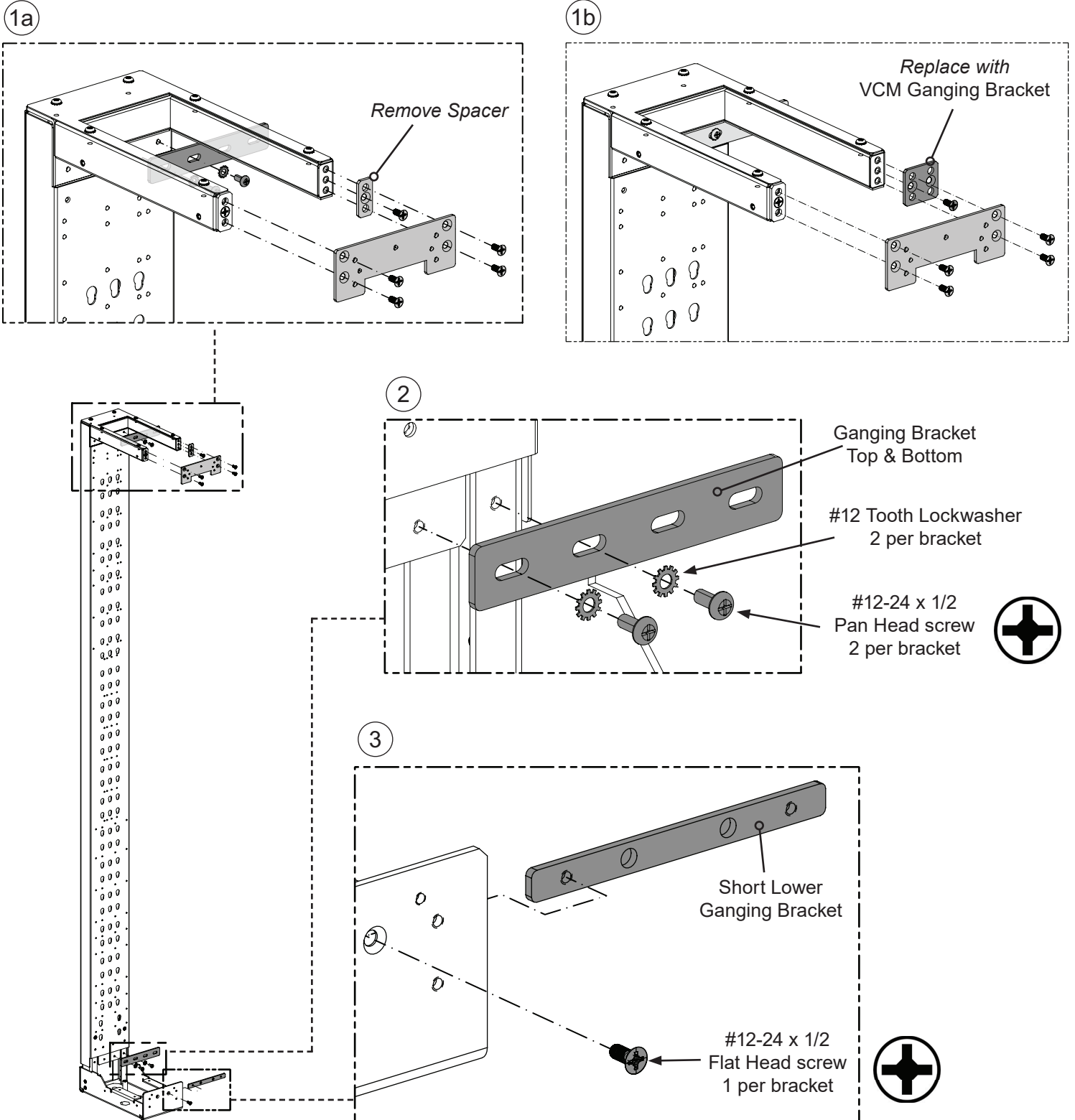
3b



For Technical Support: [www.panduit.com/resources/install\\_maintain.asp](http://www.panduit.com/resources/install_maintain.asp)

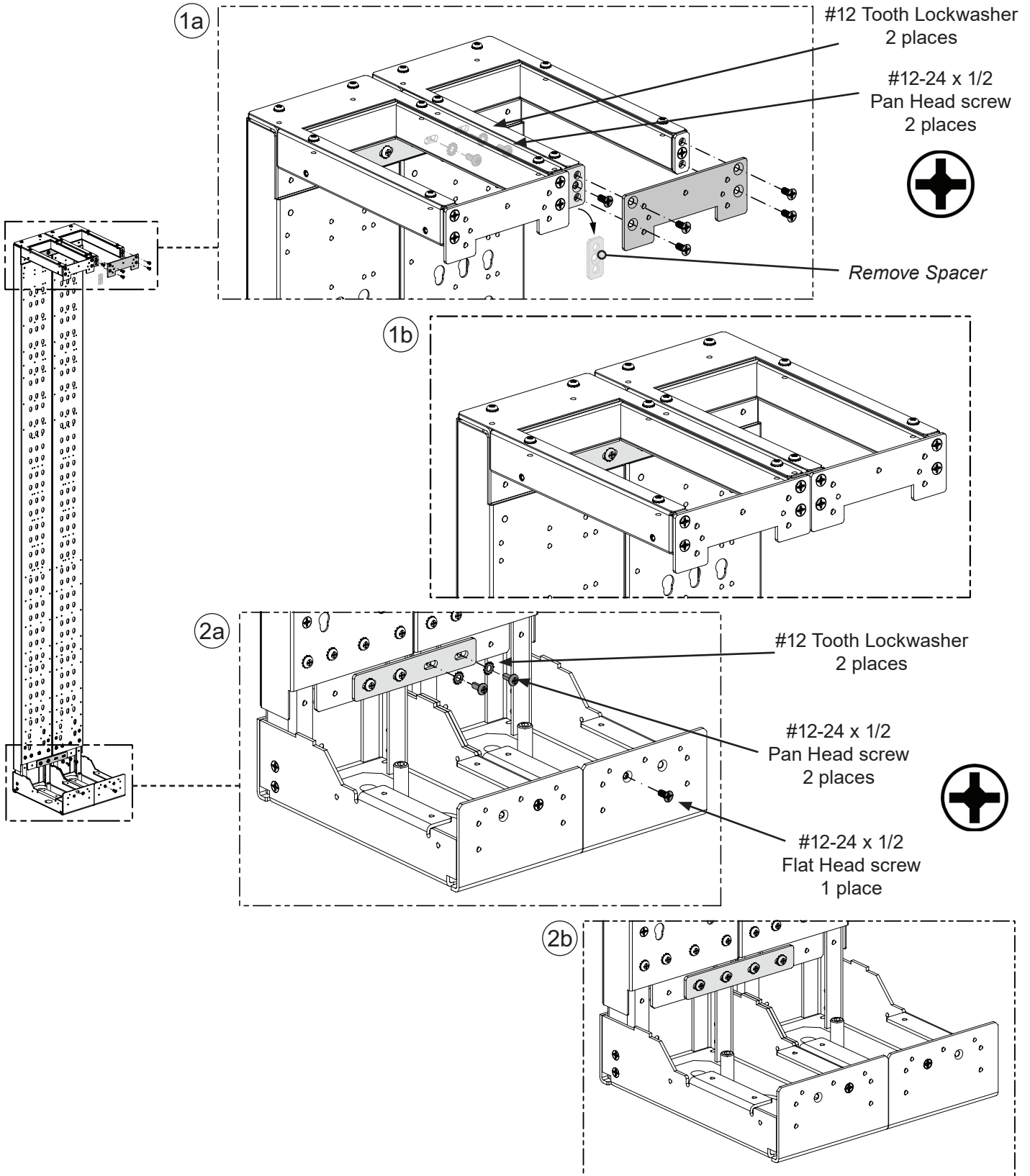
## Ganging Vertical Cable Manager to a 2nd Vertical Cable Manager

- Temporarily remove front plate of Halo to access and remove the spacer (Figure 1a)
- On sides that are being ganged to a 2nd Vertical Cable Manager, replace the spacer with VCM Ganging Bracket and re-assemble (Figure 1b)
- Install Ganging Brackets to sides that are being ganged to the 2nd Vertical Cable Manager (Figure 2)
- Install Short Lower Ganging Brackets to sides that are being ganged to 2nd Vertical Cable Manager (Figure 3)



## Ganging Vertical Cable Manager to a 2nd Vertical Cable Manager - continued

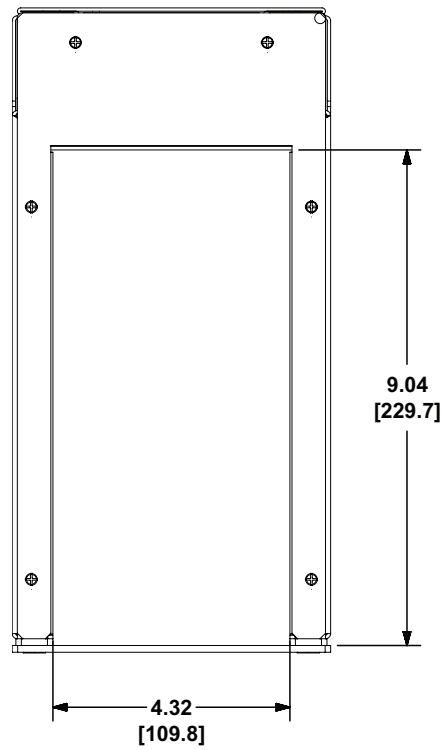
- Temporarily remove front plate of Halo to access and remove the spacer on the 2nd Vertical Cable Manager
- Install & tighten hardware



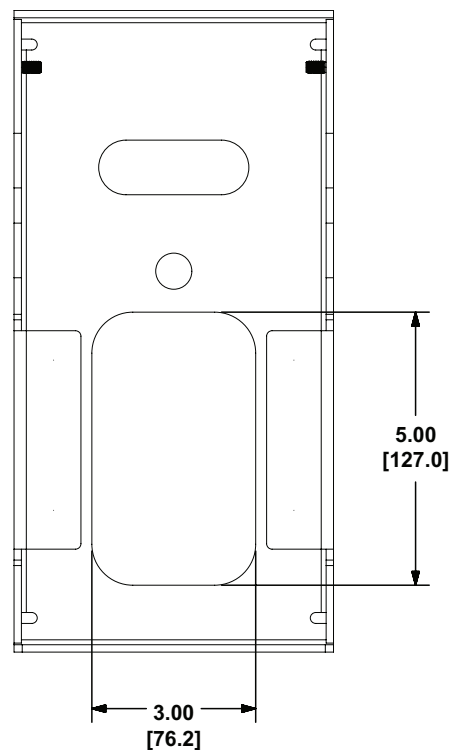


## Cable Opening Sizes in Vertical Cable Manager

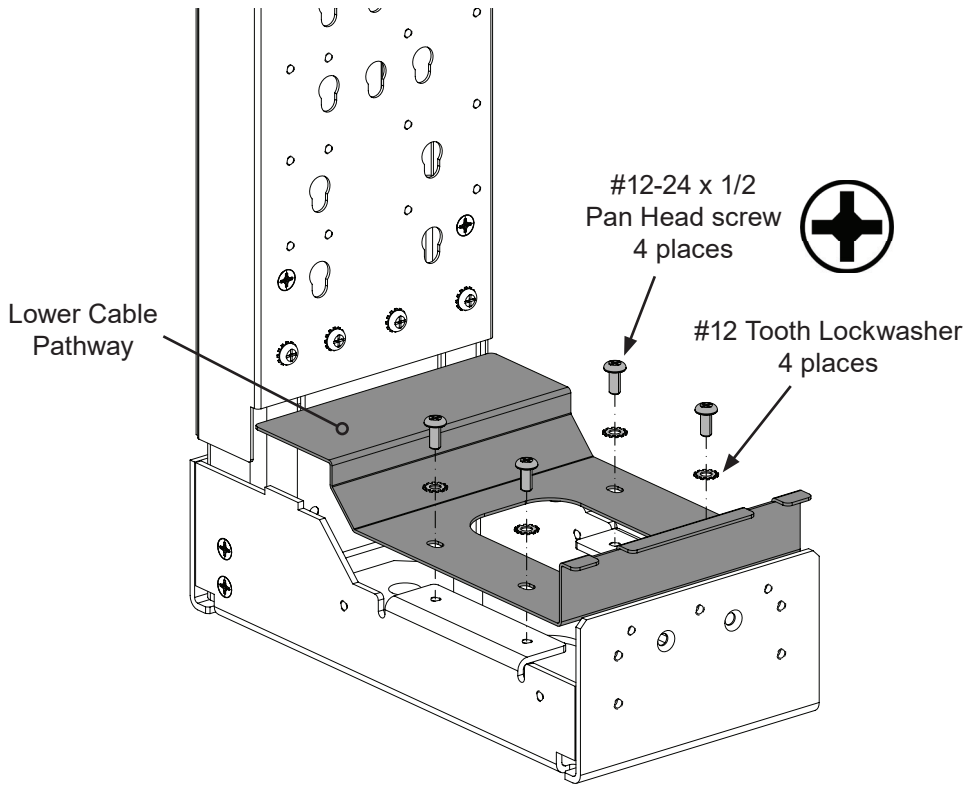
### Top of Vertical Cable Manager - Overhead Incoming Cable Area



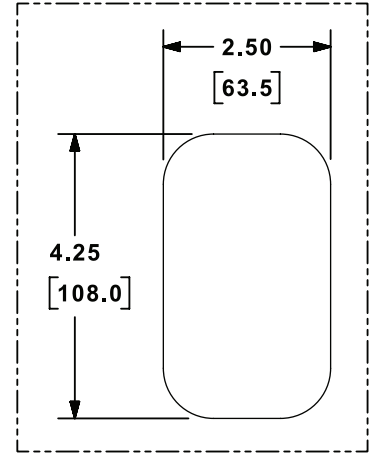
### Bottom of Vertical Cable Manager - Floor Incoming Cable Open Area



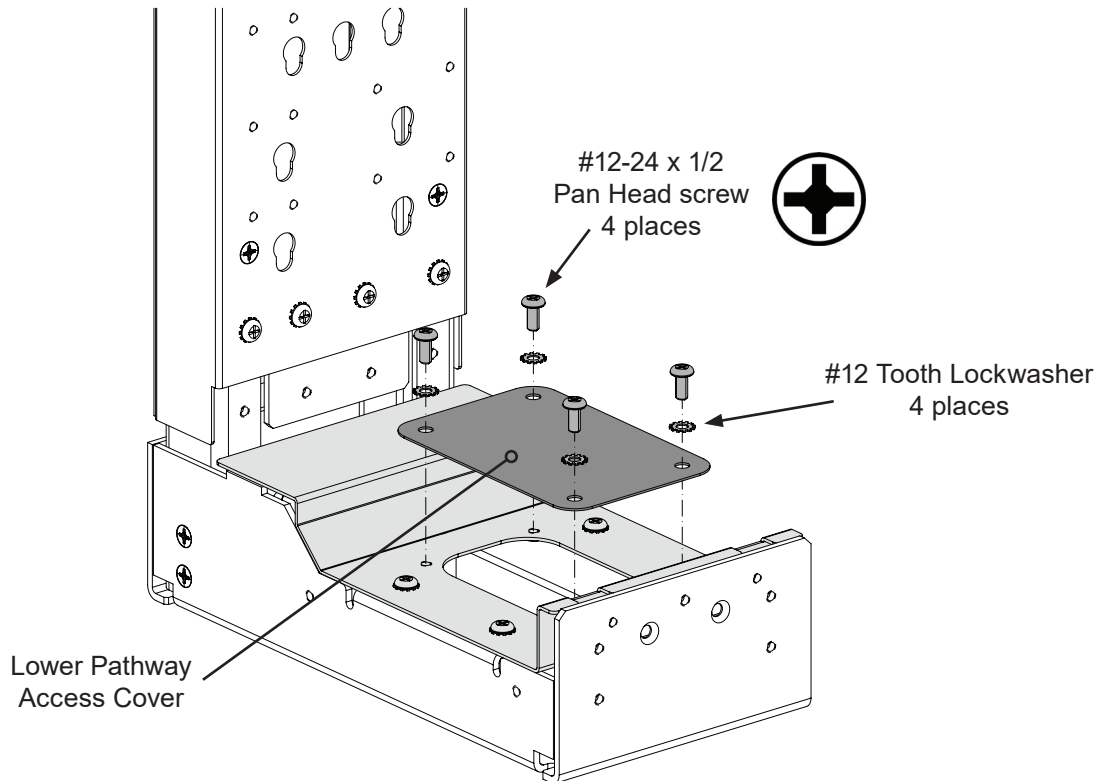
### Attach Lower Cable Pathway



### Cable Opening

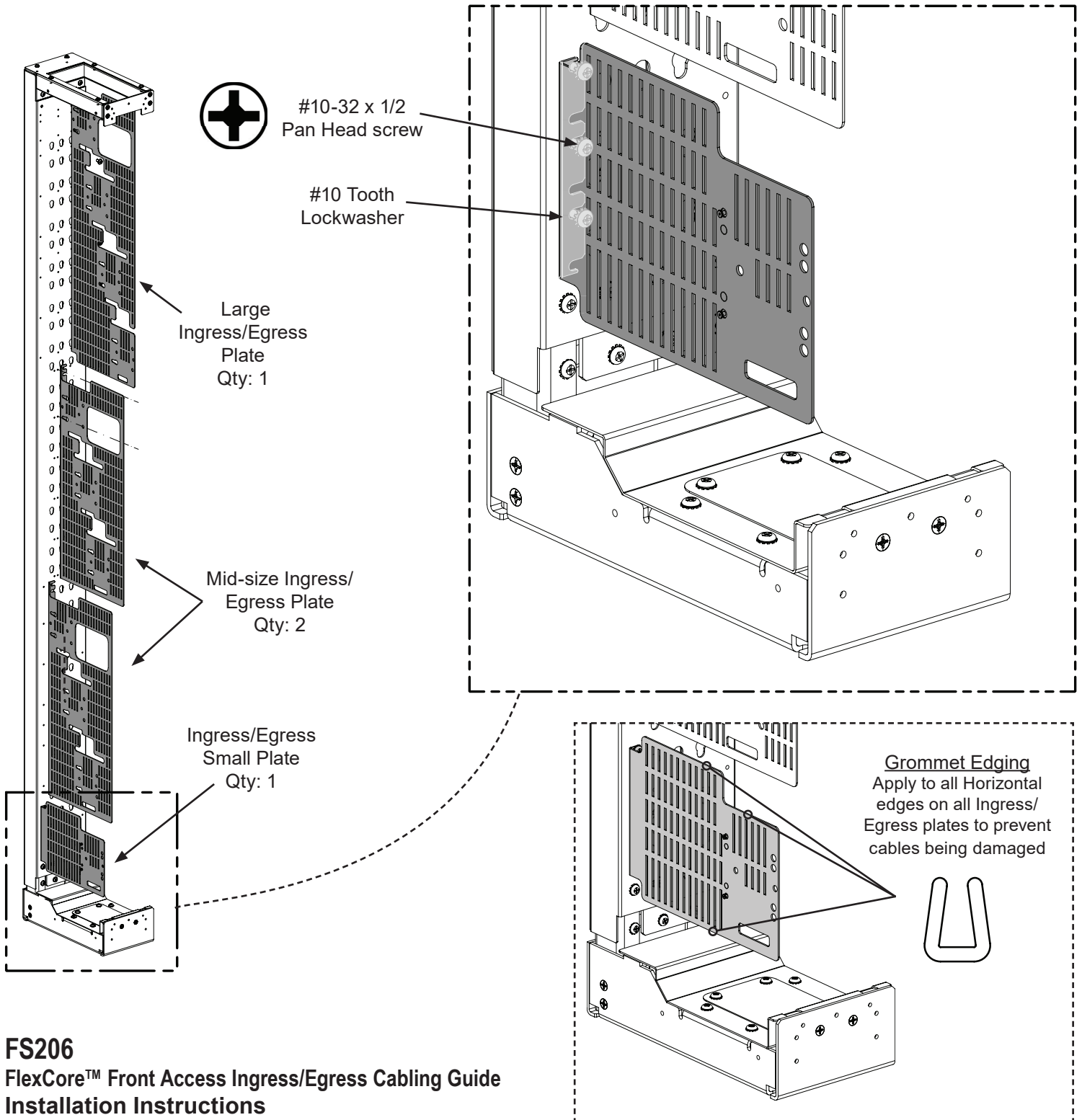


### OPTIONAL - Attach Lower Pathway Access Cover



### Install Ingress/Egress Panels

- Install Ingress/Egress plates to the vertical Cable Manager in preferred configuration
- Install Grommet Edging to protect cables
- See Installation Instructions FS206 for further information on Cabling and configuration options



### FS206 FlexCore™ Front Access Ingress/Egress Cabling Guide Installation Instructions

*\*See for more detailed information on cable routing & different configuration options*

**FlexCore™ System Installation Instructions**

Installation Instruction Number	Panduit Part Number	Description
<b>FS187</b>	FOBKF**(Y/A)M1	Fiber Breakout Kit, Flat Ribbon Furcation Tube
<b>FS190</b>	FDF45**	FlexCore™ Optical Distribution Frame
<b>FS191</b>	FDVCM1545**	FlexCore™ 150mm Vertical Cable Manager
<b>FS192</b>	FDVCM3045**	FlexCore™ 300mm Vertical Cable Manager
<b>FS193</b>	FDF45**X**	FlexCore™ Single Hinge Front Doors
<b>FS194</b>	FDFEP45**	FlexCore™ End Panels
<b>FS198</b>	FDUSP	FlexCore™ Fiber Spool
<b>FS199</b>	FDUSP6	FlexCore™ Fiber Spool 6-pack Color Coordinated Kit
<b>FS200</b>	FDS**-24-***	FlexCore™ Fusion Splice Cassette - Cable to LC Adapter
<b>FS201</b>	FDSN-24	FlexCore™ Fusion Splice Cassette - Cable to Cable
<b>FS203</b>	FDFUE4**	FlexCore™ 4RU Universal Enclosure
<b>FS204</b>	N/A	FlexCore™ Front Access Optical Distribution Frame Patchcord Routing Guide
<b>FS205</b>	FDFRC45**	FlexCore™ Frame Rear Panel
<b>FS206</b>	N/A	FlexCore™ Front Access Ingress/Egress Cabling Guide

For Instructions in Local Languages  
and Technical Support:

[www.panduit.com/resources/install\\_maintain.asp](http://www.panduit.com/resources/install_maintain.asp)

**PANDUIT**

[www.panduit.com](http://www.panduit.com)

E-mail:  
[techsupport@panduit.com](mailto:techsupport@panduit.com)

Phone:  
866-405-6654