

ball valve Art. 569



569 F
569

Full port ball valve with union in hot forged brass. Nickel plated.

PN 16. Max.150°C.

Ends threaded to ISO 228 (DIN 259 BSP 2779).

Art. 569 F with steel T-handle.

Art. 569 with steel lever.

Sizes: from 1/2" up to 1"

WORKING PRESSURE

for saturated steam (+150°C)

5 bar

for water, oil and non aggressive fluids

16 bar

WORKING TEMPERATURE

Min. -20°C

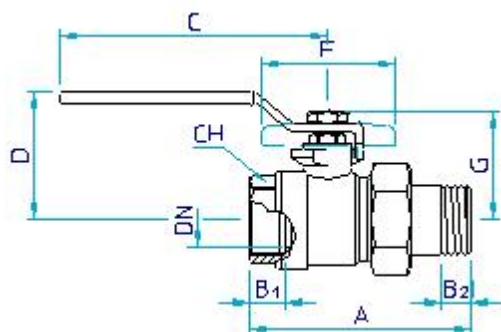
Max. +150°C

TEST PRESSURE

seal pneumatic test

6,5 bar

Dimensions



COMPONENTS MATERIAL-TREATMENT

		Q.
Handle	Steel; Dacromet plated; PVC covered	1
Nut	Brass P-CuZn40Pb2; Nickel plated	1
Stem	Brass P-CuZn40Pb2	1
Packing gland	Brass P-CuZn40Pb2	1
Stem packing	P.T.F.E.	2
Washer	Brass P-CuZn40Pb2	1
Tailpiece	Brass P-CuZn40Pb2; Nickel plated	1
Ball seals	P.T.F.E.	2
Ball	Brass P-CuZn40Pb2; Chrome plated	1
Body	Brass P-CuZn40Pb2; Nickel plated	1
Nut	Brass P-CuZn40Pb2; Nickel plated	1
Union	Brass P-CuZn40Pb2; Nickel plated	1
Union O-ring	E.P.D.M. Peroxid	1

Size	1/4"	3/8"	1/2"	3/4"	1"	1"¼	1"½	2"
A	-	-	70	82	94	-	-	-
B1	-	-	12	13	15	-	-	-
B2	-	-	10	12	14	-	-	-
C	-	-	100	100	120	-	-	-
D	-	-	46	49	62	-	-	-

F	-	-	50	50	60	-	-	-
G	-	-	38	41	47	-	-	-
CH	-	-	25	31	38.5	-	-	-
DN	-	-	15	20	25	-	-	-
Gr.	-	-	254	374	628	-	-	-
M.Carton								
569	-	-	144	75	36	-	-	-
569 F	-	-	144	105	48	-	-	-