



Rope-pull lever  
without reset  
button  
PLNU1AT25W

Product designation

Product type designation

**General characteristics**

Material

Housing

Aluminium-zinc  
alloy

**Contact characteristics**

Type of contact		1NO+1NC
Thermal current I <sub>th</sub>	A	10
Rated insulation voltage U <sub>i</sub>	V	400
Short-circuit protection with fuse	Class/A	10 gG/SC QUICK FUSE
IEC Conventional free air thermal current I <sub>th</sub>	A	10
Resistance per pole (average value)	mΩ	<10

**Mechanical features**

Operating head fixing		Fixed
Operating torque	N	25
	lb	5.6
Tightening torque (Max)		
Switch fixing	Nm	2.5
	lbin	22.1

Conductor section

AWG/Kcmil

max

14

IEC

max

mm<sup>2</sup>

2.5

Cable connection

Self-releasing  
screw terminal

Cable entry

PG11 with cable  
gland

Weight

g

240

**Operations**

Mechanical life	cycles	>10000000
Mechanical operation	cycles/h	3600

**Ambient conditions**

Temperature

Operating temperature

min

°C

-25

max

°C

+70

Storage temperature

min

°C

-40

max

°C

+70

**Resistance & Protection**

IP degree

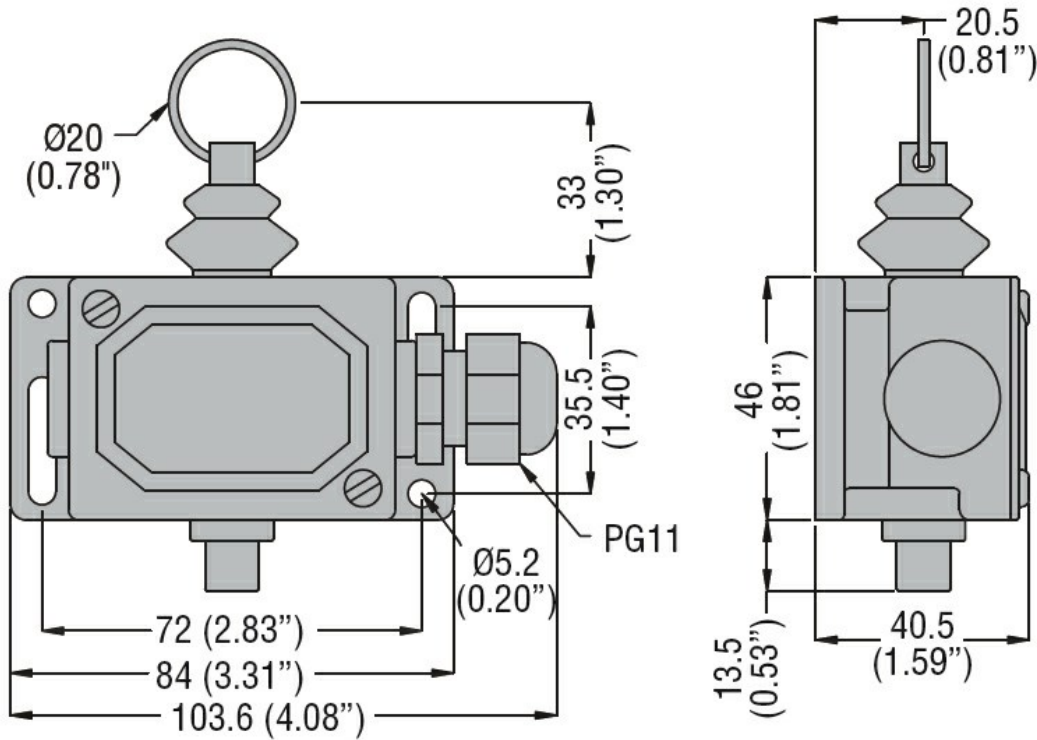
Body housing

IP65

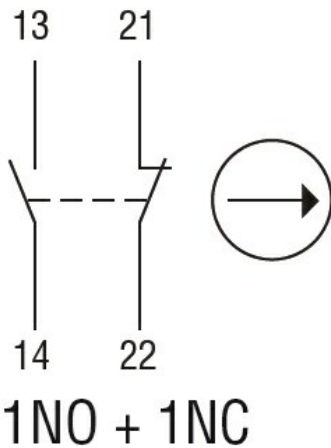
Pollution degree

3

**Dimensions**



**Wiring diagrams**



**Certifications and compliance**

Compliance

EN 81-1.

IEC/EN 60947-1

IEC/EN 60947-5-1

Certificates

EAC

**ETIM classification**

ETIM 8.0

EC000030 - End switch