



Product designation		Micro PLC - Base module with RS485 onboard
Product type designation		LRD20RD024P1
Auxiliary supply voltage		24VDC
Number of inputs	Nr.	8 digital + 4 digital/analog
Number of outputs	Nr.	8 relay
Max I/O number		20 (12 inputs + 8 outputs) up to 44 with LRE modules

**Power supply**

Rated auxil. supply voltage		24VDC
Operating voltage range		20.4...28.8VDC
Average current consumption	mA	185
Power consumption Max	W	5

**Digital inputs**

Number of digital input	Nr.	8 + 4 digital/analog
Rated voltage	V	24VDC
Input signals	State 0 (OFF) State 1 (ON)	<5VDC >15VDC
Response time	0 to 1 (OFF-ON) 1 to 0 (ON-OFF)	4ms (0.5ms for high speed) 4ms (0.3ms for high speed)

**Analog inputs**

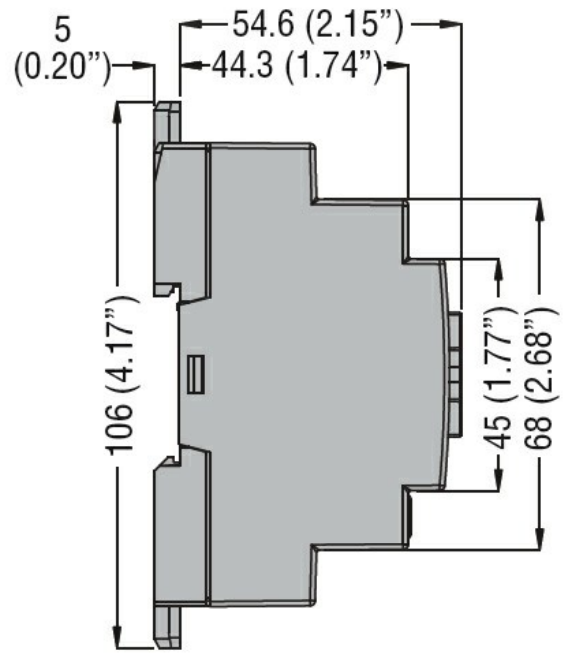
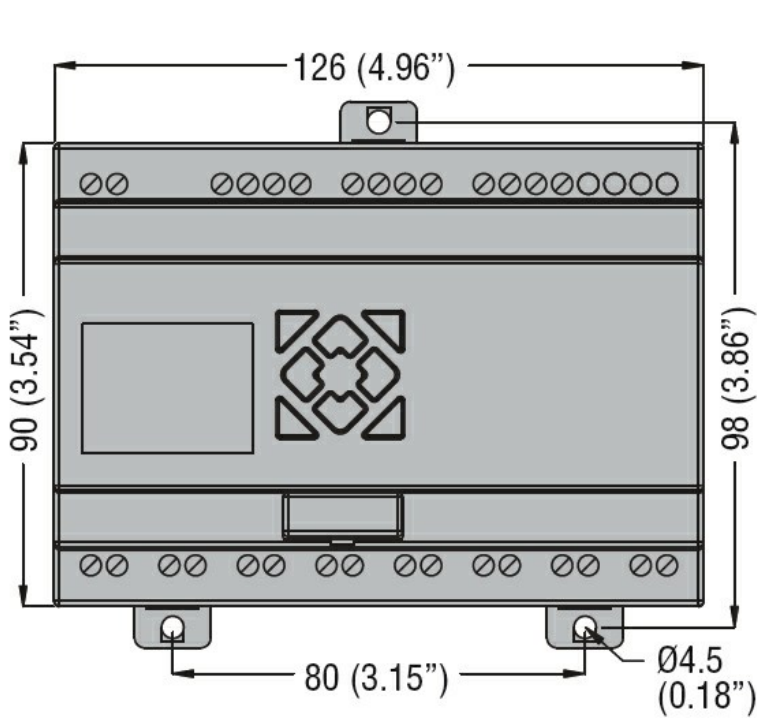
Number of analog input	Nr.	4 digital/analog	
Analog input type		Voltage inputs	
Inputs signal range	V	0...10	
Resolution		0.01V	
Bit of conversion	bit	8	
Current consumption at	10VDC	mA	<0.17mA
Input impedance		kΩ	>40
Admissible overload		VDC	28
Sampling time		ms	5...20ms(LADDER), 2...10ms (FBD)
Maximum cable length		m / ft	≤30m/98ft (shielded wire)

**Digital outputs**

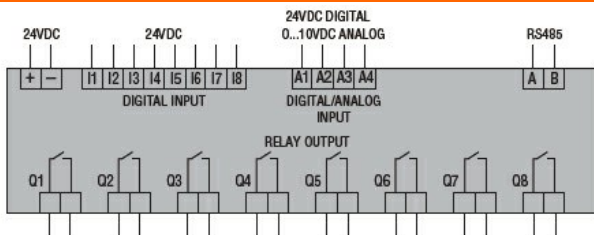
Number of digital output	Nr.	8
type		Relay

**System resources**

Display				LCD display, 4 lines x 16 characters
<b>Communications</b>				
Type of communication port				RS485
<b>Connections</b>				
Terminals type				Screw
Tightening torque for terminals		max	Nm	0.6
		Max	lbft	0.4
Conductor section				
	AWG/Kcmil	min		26
		max		14
	IEC	min	mm <sup>2</sup>	0.14
		max	mm <sup>2</sup>	2.5
<b>Ambient conditions</b>				
Temperature				
	Operating temperature	min	°C	-20
		max	°C	+55
	Storage temperature	min	°C	-40
		max	°C	+70
Relative humidity			%	20...90% without condensation
<b>Housing</b>				
Mounting				35mm DIN rail or screw fixing (M4x20mm)
Degree of protection				IP20
Dimensions (W x H x D)		mm	126 x 106 x 59.6	
Weight		g	360	
<b>Dimensions</b>				



### Wiring diagrams



### Certifications and compliance

#### Compliance

CSA C22.2 n° 142

IEC/EN 61131-2

UL508

#### Certificates

cULus

EAC

### ETIM classification

ETIM 8.0

EC001417 -  
Logic module