
 TECHNICAL DATA SHEET

ABB cable glands – NCG series

Nylon, general purpose cable glands



Nylon cable glands for general purpose use, OEM and industrial/commercial applications.

Certifications / Standards:

(Refer to tables for certifications details)



Features & Benefits:

- Low profile cable glands
- Wide cable clamping range
- Corrosion resistant

Applications:

- General purpose
- Panel building
- Light fixture and housings
- Machine building
- Suitable for cable types:
 - Non-armoured
 - Portable
 - Tray

Material:

- Halogen free nylon (PA6) construction
- Available in Black, Grey and Light Grey
- Chloroprene seals

Environmental ratings:

Working Temperature:

- Normal use: -20 to +100°C (-4 to +212°F)
- Short term: -30 to +150°C (-22 to +302°F)

Ingress protection:

To ensure ingress protection, use suitable gasket and lock nut when required.

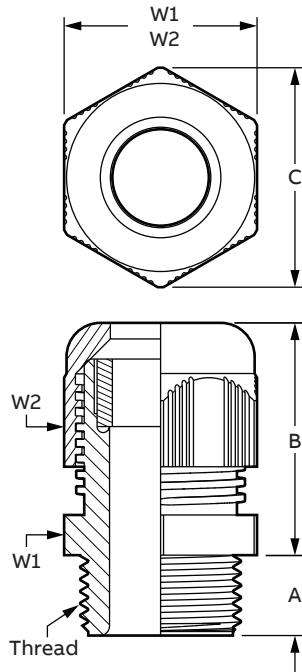
- IP66
- IP68 (5 bar 30 mins)
- NEMA 4

Chemical resistance guide:

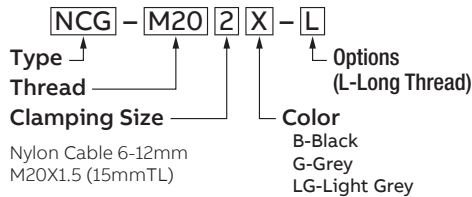
- See publication TDS000081

Conforms to:

- UL514B / CSA C22.2 No 18.3 (see table for details)
- EN 62444
- RoHS (Restriction of Hazardous Substances Directive) 2011/65/EU Incorporating 2015/863 amendment to Annex II
- WEEE (Waste Electrical & Electronic Equipment Directive) 2002/96/EC
- LVD (Low Voltage Directive) 2014/35/EU



Part number information:



Product selection

Part no: Certifications	Thread (metric)	Cable range		Nominal dimensions				
		Min	Max	A	B	C	W1	W2
NCG-M121x (cURus)	M12x1.5	2.0	5.0	8.0	23.0	16.9	15.0	15.0
		(0.079)	(0.197)	(0.315)	(0.906)	(0.665)	(0.591)	(0.591)
NCG-M122x (cURus)	M12x1.5	3.0	6.5	8.0	23.0	16.9	15.0	15.0
		(0.118)	(0.256)	(0.315)	(0.906)	(0.665)	(0.591)	(0.591)
NCG-M161x (cURus)	M16x1.5	2.0	6.0	8.0	26.5	21.9	19.0	19.0
		(0.079)	(0.236)	(0.315)	(1.043)	(0.862)	(0.748)	(0.748)
NCG-M161x-L	M16x1.5	2.0	6.0	15.0	26.5	21.9	19.0	19.0
		(0.079)	(0.236)	(0.591)	(1.043)	(0.862)	(0.748)	(0.748)
NCG-M162x (cURus)	M16x1.5	4.0	8.0	8.0	26.5	21.9	19.0	19.0
		(0.157)	(0.315)	(0.315)	(1.043)	(0.862)	(0.748)	(0.748)
NCG-M162x-L	M16x1.5	4.0	8.0	15.0	26.5	21.9	19.0	19.0
		(0.157)	(0.315)	(0.591)	(1.043)	(0.862)	(0.748)	(0.748)
NCG-M163x (cURus)	M16x1.5	5.0	10.0	10.0	30.0	25.0	22.0	22.0
		(0.197)	(0.394)	(0.394)	(1.181)	(0.984)	(0.866)	(0.866)
NCG-M163x-L	M16x1.5	5.0	10.0	15.0	30.0	25.0	22.0	22.0
		(0.197)	(0.394)	(0.591)	(1.181)	(0.984)	(0.866)	(0.866)
NCG-M201x (cULus)	M20x1.5	5.0	9.0	10.0	30.0	27.0	24.0	24.0
		(0.197)	(0.354)	(0.394)	(1.181)	(1.063)	(0.945)	(0.945)
NCG-M201x-L	M20x1.5	5.0	9.0	15.0	30.0	27.0	24.0	24.0
		(0.197)	(0.354)	(0.591)	(1.181)	(1.063)	(0.945)	(0.945)
NCG-M202x (cULus)	M20x1.5	6.0	12.0	10.0	30.0	27.0	24.0	24.0
		(0.236)	(0.472)	(0.394)	(1.181)	(1.063)	(0.945)	(0.945)
NCG-M202x-L	M20x1.5	6.0	12.0	15.0	30.0	27.0	24.0	24.0
		(0.236)	(0.472)	(0.591)	(1.181)	(1.063)	(0.945)	(0.945)
NCG-M203x (cULus)	M20x1.5	10.0	14.0	10.0	33.5	31.0	27.0	27.0
		(0.394)	(0.551)	(0.394)	(1.319)	(1.22)	(1.063)	(1.063)
NCG-M203x-L	M20x1.5	10.0	14.0	15.0	33.5	31.0	27.0	27.0
		(0.394)	(0.551)	(0.591)	(1.319)	(1.22)	(1.063)	(1.063)
NCG-M251x (cULus)	M25x1.5	9.0	16.0	10.0	38.0	38.0	33.0	33.0
		(0.354)	(0.63)	(0.394)	(1.496)	(1.496)	(1.299)	(1.299)
NCG-M251x-L	M25x1.5	9.0	16.0	15.0	38.0	38.0	33.0	33.0
		(0.354)	(0.63)	(0.591)	(1.496)	(1.496)	(1.299)	(1.299)
NCG-M252x (cULus)	M25x1.5	11.0	17.0	8.0	36.0	32.5	29.0	29.0
		(0.433)	(0.669)	(0.315)	(1.417)	(1.28)	(1.142)	(1.142)
NCG-M252x-L	M25x1.5	11.0	17.0	15.0	36.0	32.5	29.0	29.0
		(0.433)	(0.669)	(0.591)	(1.417)	(1.28)	(1.142)	(1.142)
NCG-M253x (cULus)	M25x1.5	13.0	18.0	15.0	38.0	38.0	33.0	33.0
		(0.512)	(0.709)	(0.591)	(1.496)	(1.496)	(1.299)	(1.299)
NCG-M321x (cULus)	M32x1.5	11.0	15.0	10.0	42.5	41.0	36.0	36.0
		(0.433)	(0.591)	(0.394)	(1.673)	(1.614)	(1.417)	(1.417)
NCG-M321x-L	M32x1.5	11.0	15.0	15.0	42.5	41.0	36.0	36.0
		(0.433)	(0.591)	(0.591)	(1.673)	(1.614)	(1.417)	(1.417)
NCG-M322x (cULus)	M32x1.5	15.0	21.0	10.0	42.5	41.0	36.0	36.0
		(0.591)	(0.827)	(0.394)	(1.673)	(1.614)	(1.417)	(1.417)

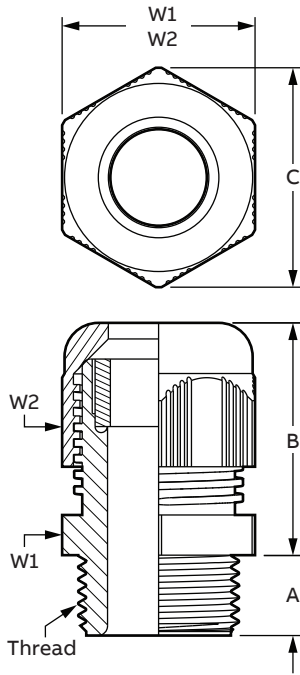
Replace the "x" of the catalog number by one of the following:

B = black (RAL 9005), G = grey (RAL 7001), LG = light grey (RAL 7035)

Other colors available on request.

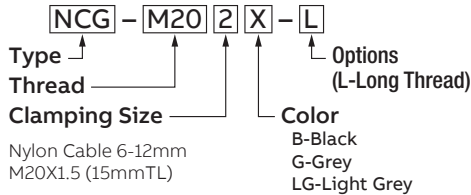
Bold numbers are metric, parenthesis numbers are inches.

Note: Product must be installed in accordance with applicable national and local electrical codes.



Product selection								
Part no: Certifications	Thread (metric)	Cable range			Nominal dimensions			
		Min	Max	A	B	C	W1	W2
NCG-M322x-L	M32x1.5	15.0	21.0	15.0	42.5	41.0	36.0	36.0
		(0.591)	(0.827)	(0.591)	(1.673)	(1.614)	(1.417)	(1.417)
NCG-M323x (cULus)	M32x1.5	18.0	25.0	15.0	42.0	47.3	42.0	42.0
		(0.709)	(0.984)	(0.591)	(1.654)	(1.862)	(1.654)	(1.654)
NCG-M401x (cULus)	M40x1.5	16.0	23.0	10.0	47.5	52.4	46.0	46.0
		(0.63)	(0.906)	(0.394)	(1.87)	(2.063)	(1.811)	(1.811)
NCG-M401x-L (cULus)	M40x1.5	16.0	23.0	18.0	47.5	52.4	46.0	46.0
		(0.63)	(0.906)	(0.709)	(1.87)	(2.063)	(1.811)	(1.811)
NCG-M402x (cULus)	M40x1.5	19.0	28.0	10.0	47.5	52.4	46.0	46.0
		(0.748)	(1.102)	(0.394)	(1.87)	(2.063)	(1.811)	(1.811)
NCG-M402x-L (cULus)	M40x1.5	19.0	28.0	18.0	47.5	52.4	46.0	46.0
		(0.748)	(1.102)	(0.709)	(1.87)	(2.063)	(1.811)	(1.811)
NCG-M403x (cULus)	M40x1.5	22.0	32.0	18.0	52.0	60.0	53.0	53.0
		(0.866)	(1.26)	(0.709)	(2.047)	(2.362)	(2.087)	(2.087)
NCG-M501x (cULus)	M50x1.5	25.0	31.0	18.0	53.5	67.8	60.0	60.0
		(0.984)	(1.22)	(0.709)	(2.106)	(2.669)	(2.362)	(2.362)
NCG-M502x (cULus)	M50x1.5	30.0	38.0	18.0	53.5	67.8	60.0	60.0
		(1.181)	(1.496)	(0.709)	(2.106)	(2.669)	(2.362)	(2.362)
NCG-M631x (cULus)	M63x1.5	29.0	35.0	18.0	53.0	72.9	65.0	65.0
		(1.142)	(1.378)	(0.709)	(2.087)	(2.87)	(2.559)	(2.559)
NCG-M632x (cULus)	M63x1.5	34.0	44.0	18.0	53.0	72.9	65.0	65.0
		(1.339)	(1.732)	(0.709)	(2.087)	(2.87)	(2.559)	(2.559)
NCG-M751x (cULus)	M63x1.5	48.0	55.0	25.0	55.0	89.0	75.0	80.0
		(1.89)	(2.165)	(0.984)	(2.165)	(3.504)	(2.953)	(3.15)

Part number information:



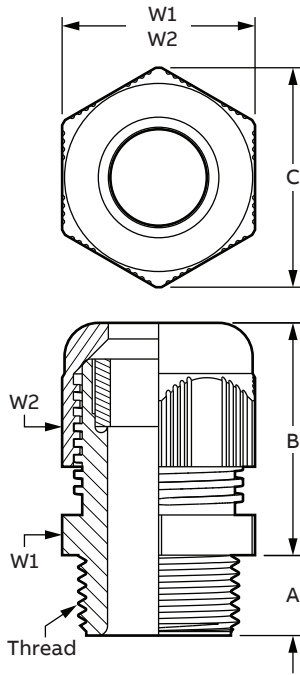
Product selection								
Part no: Certifications	Thread (NPT)	Cable range			Nominal dimensions			
		Min	Max	A	B	C	W1	W2
NCG-0381x (cURus)	3/8"	3.0	7.0	15.0	30.0	25.0	22.0	22.0
		(0.118)	(0.276)	(0.591)	(1.181)	(0.984)	(0.866)	(0.866)
NCG-0382x (cURus)	3/8"	5.0	10.0	15.0	30.0	25.0	22.0	22.0
		(0.197)	(0.394)	(0.591)	(1.181)	(0.984)	(0.866)	(0.866)
NCG-0501x (cULus)	1/2"	5.0	9.0	15.0	30.0	27.0	24.0	24.0
		(0.197)	(0.354)	(0.591)	(1.181)	(1.063)	(0.945)	(0.945)
NCG-0502x (cULus)	1/2"	6.0	12.0	15.0	30.0	27.0	24.0	24.0
		(0.236)	(0.472)	(0.591)	(1.181)	(1.063)	(0.945)	(0.945)
NCG-0503x (cULus)	1/2"	10.0	14.0	15.0	33.5	30.9	27.0	27.0
		(0.394)	(0.551)	(0.591)	(1.319)	(1.217)	(1.063)	(1.063)
NCG-0504x	1/2"	9.0	16.0	15.0	38.0	38.0	33.0	33.0
		(0.354)	(0.63)	(0.591)	(1.496)	(1.496)	(1.299)	(1.299)
NCG-0505x	1/2"	13.0	18.0	15.0	38.0	38.0	33.0	33.0
		(0.512)	(0.709)	(0.591)	(1.496)	(1.496)	(1.299)	(1.299)
NCG-0751x (cULus)	3/4"	9.0	16.0	15.0	38.0	38.0	33.0	33.0
		(0.354)	(0.63)	(0.591)	(1.496)	(1.496)	(1.299)	(1.299)
NCG-0752x (cULus)	3/4"	13.0	18.0	15.0	38.0	38.0	33.0	33.0
		(0.512)	(0.709)	(0.591)	(1.496)	(1.496)	(1.299)	(1.299)
NCG-1001x (cULus)	1"	12.0	20.0	18.0	42.0	47.3	42.0	42.0
		(0.472)	(0.787)	(0.709)	(1.654)	(1.862)	(1.654)	(1.654)
NCG-1002x (cULus)	1"	18.0	25.0	18.0	42.0	47.3	42.0	42.0
		(0.709)	(0.984)	(0.709)	(1.654)	(1.862)	(1.654)	(1.654)

Replace the "x" of the catalog number by one of the following:
 B = black (RAL 9005), G = grey (RAL 7001), LG = light grey (RAL 7035)

Other colors available on request.

Bold numbers are metric, parenthesis numbers are inches.

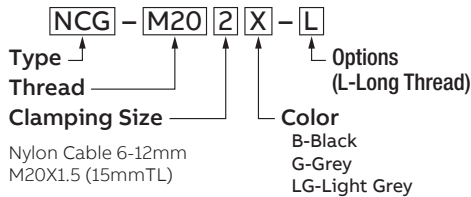
Note: Product must be installed in accordance with applicable national and local electrical codes.



Product selection

Part no: Certifications	Thread (PG)	Cable range		Nominal dimensions				
		Min	Max	A	B	C	W1	W2
NCG-PG71x (cURus)	PG07	3.0	6.5	8.0	23.0	16.9	15.0	15.0
		(0.118)	(0.256)	(0.315)	(0.906)	(0.665)	(0.591)	(0.591)
NCG-PG91x (cURus)	PG09	4.0	8.0	8.0	26.5	21.9	19.0	19.0
		(0.157)	(0.315)	(0.315)	(1.043)	(0.862)	(0.748)	(0.748)
NCG-PG111x	PG11	3.0	7.0	8.0	29.0	25.0	22.0	22.0
		(0.118)	(0.276)	(0.315)	(1.142)	(0.984)	(0.866)	(0.866)
NCG-PG112x (cURus)	PG11	5.0	10.0	8.0	29.0	25.0	22.0	22.0
		(0.197)	(0.394)	(0.315)	(1.142)	(0.984)	(0.866)	(0.866)
NCG-PG131x (cULus)	PG13.5	6.0	12.0	10.0	30.0	27.0	24.0	24.0
		(0.236)	(0.472)	(0.394)	(1.181)	(1.063)	(0.945)	(0.945)
NCG-PG161x (cULus)	PG16	10.0	14.0	10.0	33.5	30.9	27.0	27.0
		(0.394)	(0.551)	(0.394)	(1.319)	(1.217)	(1.063)	(1.063)
NCG-PG211x (cULus)	PG21	13.0	18.0	11.0	37.0	38.0	33.0	33.0
		(0.512)	(0.709)	(0.433)	(1.457)	(1.496)	(1.299)	(1.299)
NCG-PG291x (cULus)	PG29	18.0	25.0	11.0	42.0	47.3	42.0	42.0
		(0.709)	(0.984)	(0.433)	(1.654)	(1.862)	(1.654)	(1.654)
NCG-PG361x (cULus)	PG36	22.0	32.0	13.0	52.0	60.0	53.0	53.0
		(0.866)	(1.26)	(0.512)	(2.047)	(2.362)	(2.087)	(2.087)
NCG-PG421x (cULus)	PG42	30.0	38.0	13.0	53.5	67.8	60.0	60.0
		(1.181)	(1.496)	(0.512)	(2.106)	(2.669)	(2.362)	(2.362)
NCG-PG481x (cULus)	PG48	34.0	44.0	14.0	53.0	72.9	65.0	65.0
		(1.339)	(1.732)	(0.551)	(2.087)	(2.87)	(2.559)	(2.559)

Part number information:



Product selection

Part no:	Thread (GAS/PF)	Cable range		Nominal dimensions				
		Min	Max	A	B	C	W1	W2
NCG-G0251x	G025	3.0	6.5	10.0	23.0	16.9	15.0	15.0
		(0.118)	(0.256)	(0.394)	(0.906)	(0.665)	(0.591)	(0.591)
NCG-G0381x	G038	5.0	10.0	11.0	30.0	25.0	22.0	22.0
		(0.197)	(0.394)	(0.433)	(1.181)	(0.984)	(0.866)	(0.866)
NCG-G0501x	G050	6.0	12.0	10.0	30.0	27.0	24.0	24.0
		(0.236)	(0.472)	(0.394)	(1.181)	(1.063)	(0.945)	(0.945)
NCG-G0501x	G050	10.0	14.0	11.0	33.5	30.9	27.0	27.0
		(0.394)	(0.551)	(0.433)	(1.319)	(1.217)	(1.063)	(1.063)
NCG-G0751x	G075	13.0	18.0	12.0	38.0	38.0	33.0	33.0
		(0.512)	(0.709)	(0.472)	(1.496)	(1.496)	(1.299)	(1.299)
NCG-G1001x	G100	18.0	25.0	13.0	42.0	47.3	42.0	42.0
		(0.709)	(0.984)	(0.512)	(1.654)	(1.862)	(1.654)	(1.654)

Replace the "x" of the catalog number by one of the following:
 B = black (RAL 9005), G = grey (RAL 7001), LG = light grey (RAL 7035)
 Other colors available on request.
 Bold numbers are metric, parenthesis numbers are inches.
 Note: Product must be installed in accordance with applicable national and local electrical codes.

ABB Inc.
 Electrification products
 Memphis, Tennessee
 USA

We reserve the right to make technical changes or modify the contents of this document without prior notice. With regard to purchase orders, the agreed particulars shall prevail. ABB Inc. does not accept any responsibility whatsoever for potential errors or possible lack of information in this document.

We reserve all rights in this document and in the subject matter and illustrations contained therein. Any reproduction, disclosure to third parties or utilization of its contents – in whole or in parts – is forbidden without prior written consent of ABB Inc. Copyright© 2017 ABB Inc. All rights reserved.

