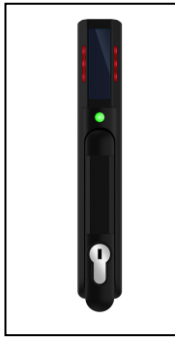


## SMARTZONE SECURITY HANDLE INSTALLATION GUIDE



ACF05 SmartZone Security Handle with integral humidity sensor



ACF06 SmartZone Security Handle with integral humidity sensor and Keypad



ACF20 Smart Zone Security Handle to G5 iPDU harness



ACF11 Smart Zone Security Handle (3) temperature & door sensor



ACF10 Smart Zone Security Handle temperature & door sensor

The SmartZone Security Handle is designed to operate with Panduit G5 PDUs with firmware equal to or greater than v3.x. Use the QR code or visit [www.panduit.com](http://www.panduit.com) for the latest PDU firmware.



SmartZone Security Handle when connected to a SmartZone G5 PDU provides robust cabinet access and features specially designed sensors and wire harnesses to produce a tested, validated and documented engineered solution capable of managing up to 200 users. Please reference the SmartZone G5 PDU User Manual for complete details on features and functionality.

## SMARTZONE SECURITY HANDLE INCLUDED INSTALLATION PARTS



Cam  
Screw



Standard  
Rotation  
Limiter



Extended  
Rotation  
Limiter



Top Mounting  
Bracket



M3X20 Bottom  
Mounting  
Screws



Key



Bottom  
Mounting  
Bracket



M3.5X12 Top  
Mounting  
Screws  
Countersunk  
Head



M3.5X15 Bottom  
Mounting  
Screws

## MOUNTING SMARTZONE SECURITY HANDLE (FRONT AND REAR DOOR)

NOTE: The SmartZone Security Handle requires a cut-out of 150x25mm. See Figure 1.

1. Position the lock body within the cut-out and flush to the outer face of the cabinet door. Use the 12mm Top Mounting Screws and Top Mounting Bracket to secure the lock to the door. Torque to 0.4-0.5 Nm [3.5 - 4.4 in/lbs]
2. Select a suitable Rotation Limiter (standard or extended) and mount the latch. Secure using the included Cam Screw. Pay careful attention to the orientation of the Rotation Limiter according to your installation requirements. Torque to 4-5 Nm [35.4 - 44.2 in/lbs].

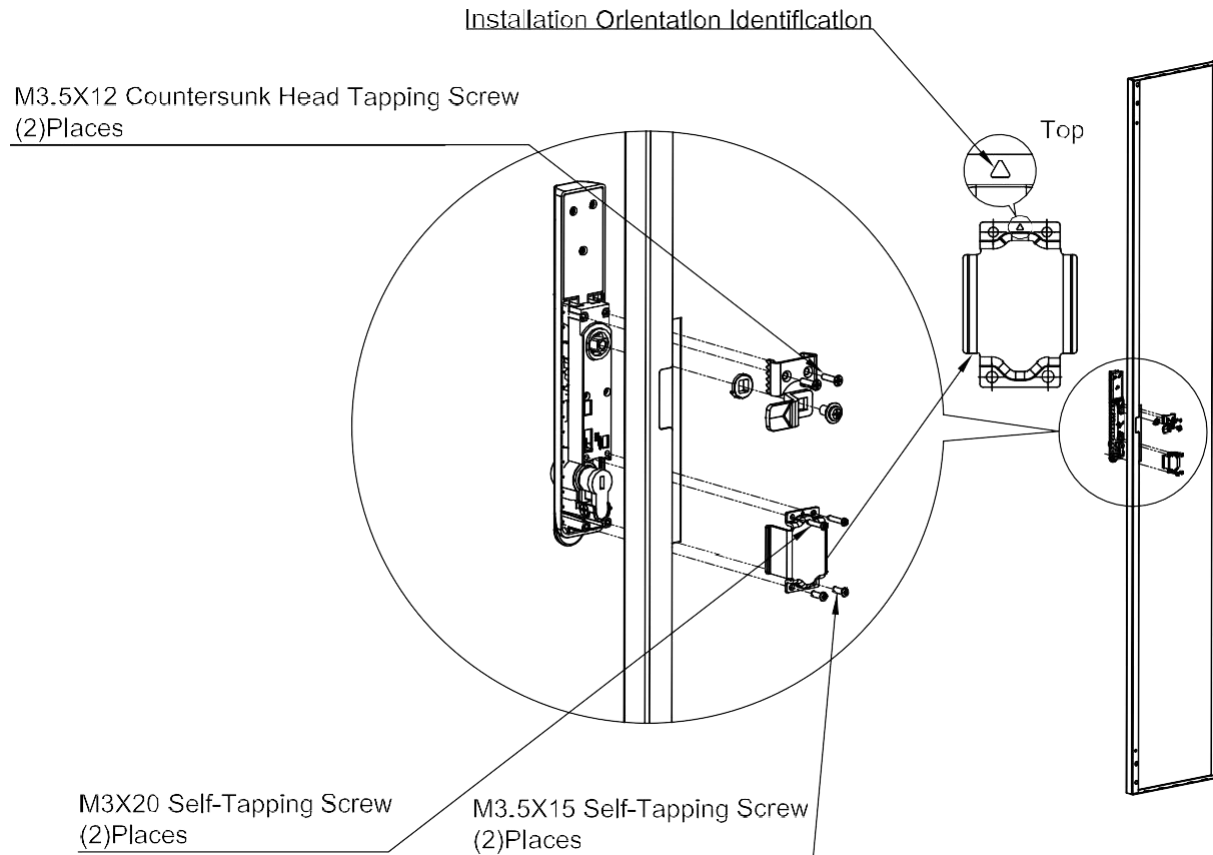


Figure 1: SmartZone Security Handle Installation onto Cabinet Door

3. Ensure that the orientation of the lock plug corresponds to the orientation of the Bottom Mounting Bracket and install the Bracket using the included 15mm and 20mm Bottom Mounting Screws. Torque to 0.4 – 0.5 Nm [3.5 – 4.4 in/lbs].

## OPTIONAL ACCESSORIES



Quick  
Disconnect  
Coupler

Panduit PN: CC5E88BL



Panduit PN: MA015

Panduit Full-Door Mounting  
Kit for Magnetic Sensors  
For use in Cabinets: Net  
Access S and N only



Panduit PN: MA016

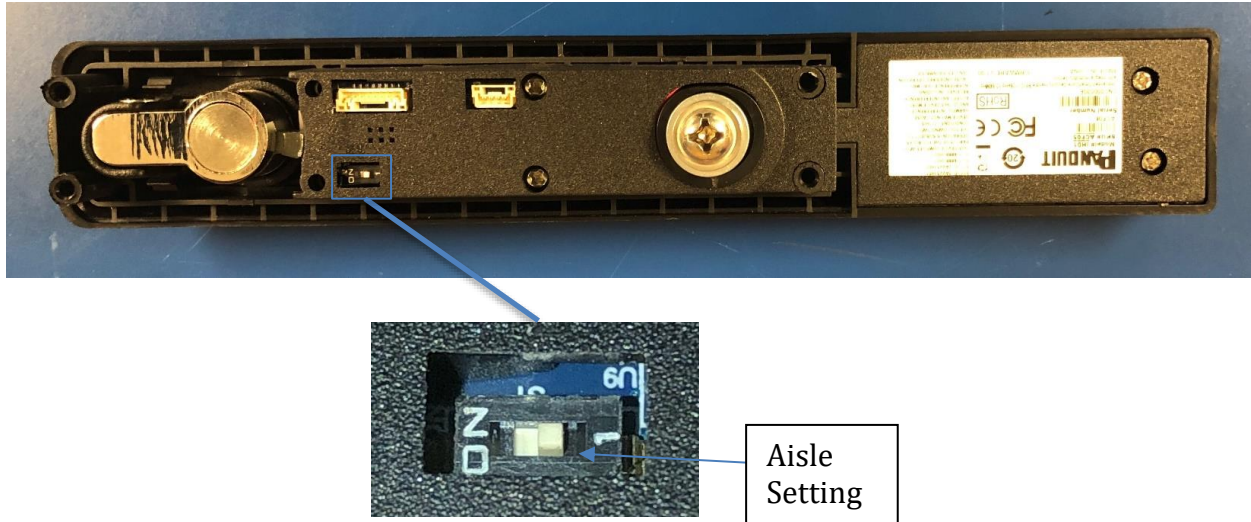
Panduit Split-Door Mounting  
Kit for Magnetic Sensors  
For use in Cabinets: Net  
Access S and N only

## INSTALLATION INSTRUCTIONS

**NOTE:** The remainder of this guide demonstrates installation into a Panduit cabinet. Pay careful attention to the part numbers and location of each item. Adaptation to the installation locations/method may be required for other cabinets. It is also assumed that the G5 iPDU is located at the rear of the cabinet.

## HOT OR COLD AISLE SWITCH

Set the switch on the back of the SmartZone Security Handle at “On” for Hot Aisle (aka rear door) and “1” for Cold Aisle (aka front door). This dip switch communicates with the firmware onboard the G5 iPDU which can be seen in the Web GUI.



**NOTE:** For ease of installation of the ACF10 or ACF11 harness’s magnetic switch and magnet in Panduit cabinets, use Full-Door Sensor Bracket Kit (Panduit PN: MA015) or Split-Door Sensor Bracket Kit (Panduit PN: MA016). Installation instructions and hardware are included with the bracket kits.

1. Attach the ACF10 or ACF11 magnet to the top corner of the cabinet using screws, or optional bracket hardware (if applicable). See Figure 2.
2. Attach the ACF10 or ACF11 magnetic switch to the top corner of the cabinet door opposite the magnet using screws, or bracket hardware (if applicable). See Figure 2. Route and secure the cable to the cabinet door using adhesive backed mount and cable ties as needed.

**NOTE:** The operating distance between the Magnetic Switch and the Magnet is dependent on the installation. In a typical installation the distance between the Magnetic Switch and Magnet should be less than 10mm when the cabinet door is in the closed position. Greater distances may cause the G5 iPDU to read the door as “OPEN”.

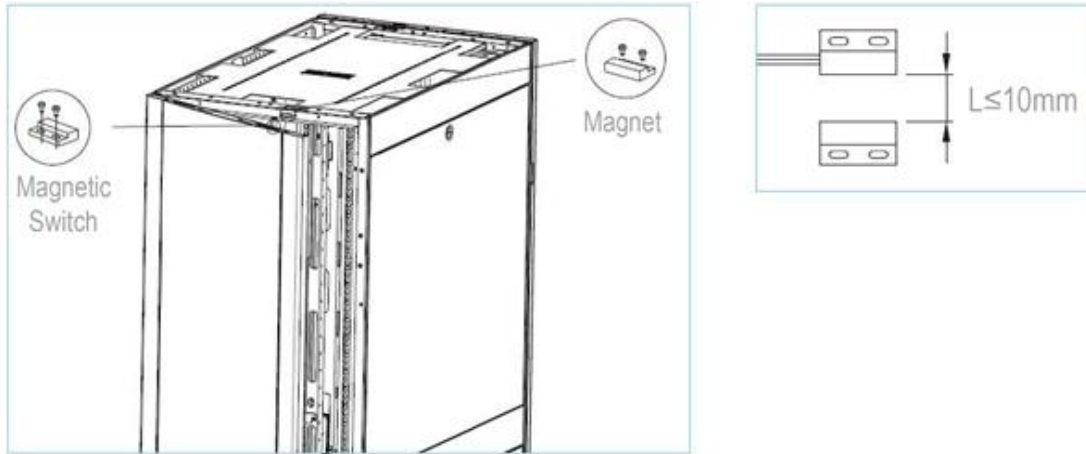


Figure 2: Magnetic Switch Placement

**WIRE HARNESS CONNECTION**

1. Connect the SmartZone Security Handle to the G5 iPDU with the appropriate Harness. Reference the connection diagram shown in
2. Figure 1 for standard applications.
3. Connect any environmental or access control accessory to port marked “Sensor” on the G5 iPDU. Ask your local representative for more details.
4. Access the G5 iPDU Web Interface to manage the Access Security configuration alarms and notification settings.

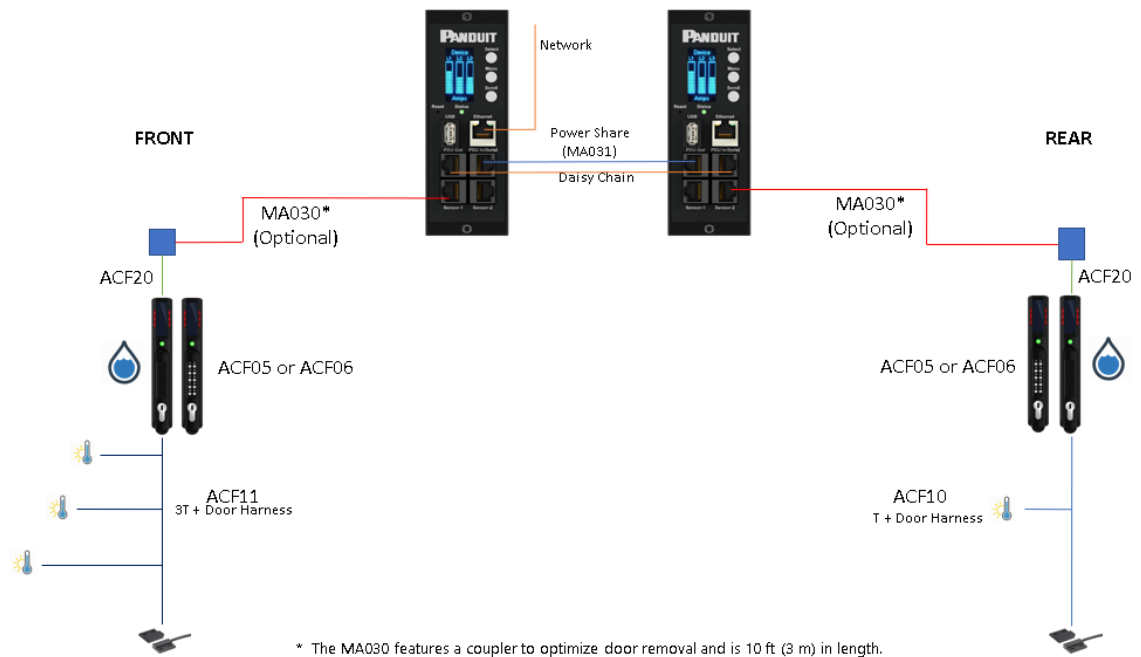


Figure 1: Connection Diagram Smart Zone Security Handle

## SmartZone Security Handle Tumbler Replacement Procedure

The SmartZone Security Handle Tumbler is designed to be compatible with Panduit's ACF05 & ACF06 SmartZone Security Handles. Installing it into another handle may result in damage. Key may only be removed in the locked position. Use tumblers and keys with matching markings as shown.



**Tools List:**

- Philips PH2 screwdriver +
- Torque wrench or screwdriver that can measure 3.0Nm (26.6 in-lbs)
- A key with matching key code\* will be required for tumbler installation – **Sold Separately**

\*Standard Keys and Tumblers do not include the unique keycode marking  
**(XXX = Unique Keycode)**

### INSTALLATION INSTRUCTIONS

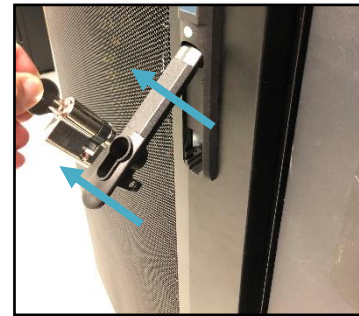
#### Tumbler Removal:



**Step 1:** Open handle with key in unlocked position.



**Step 2:** Remove locking screw.  
**Note: Do not discard the locking screw.**

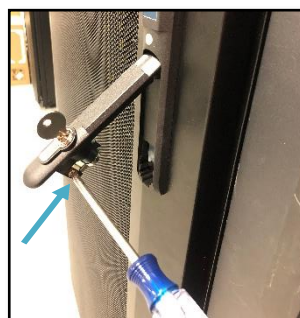


**Step 3:** Remove tumbler from the handle.

#### Tumbler Installation:



**Step 4:** Insert key and place tumbler in unlocked position. Insert tumbler into handle.



**Step 5:** Reinstall locking screw, torque to 2.9 - 3.1Nm [25.7 – 27.4 in/ibs].