

Part number

CK 03 IAPS



Angled Bulkhead mounting housing, CK series, with 1 lever, Pg11 cable entry, size "21.21", white colour

Product description

Product type	Angled bulkhead mounting housing
Series	CK
Closing type	With 1 lever
Size	Size "21.21"
Cable entry	With cable entry Pg11
Specification	White colour

Technical data

IP degree of protection	IP44 (IP66/IP67/IP69 with CKR 65/CKR 65 D kits)
--------------------------------	---

Further technical details

Weight	14,50 g
Operating temperature range (min, max)	-40°C...+125°C

Material properties

Colour	RAL 7035 grey
RoHs conformity	Compliant
China RoHs - EFUP	E
REACH SVHC substances	No

Approvals / Standards

UL	ECBT2
cUL	ECBT8

General ordering information

EAN13 code	8015747026420
-------------------	---------------

Packaging Information

Packaging length	360,00 mm
Packaging height	165,00 mm
Packaging width	315,00 mm
Packaging weight	2,57 kg
Packaging volume	18,71 dm ³
Packaging description	Carton box
Packaging quantity	100 Pcs
Packaging EAN code	8015747026437
Sub-packaging weight	0,26 kg
Sub-packaging description	Carton box
Sub-packaging quantity	10 Pcs
Sub-packaging EAN barcode	8015747026444

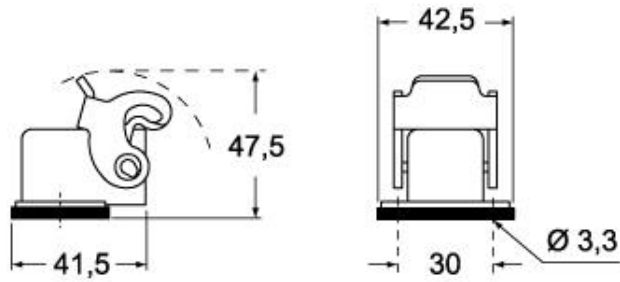
Part number

CK 03 IAPS

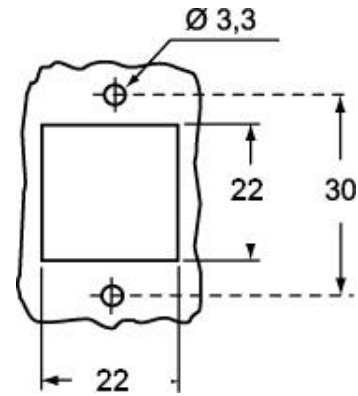


Catalogue drawings

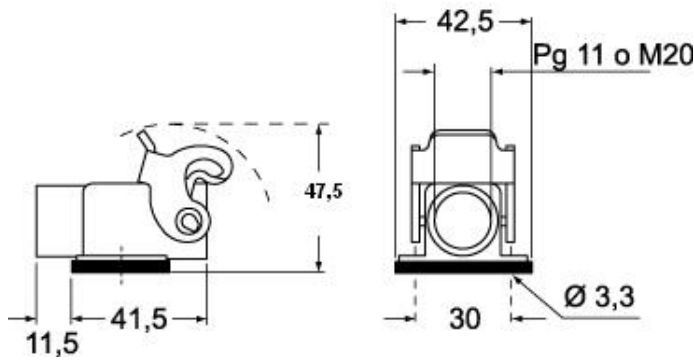
CK IA(N)



Catalogue drawings



CK IAP(N)S - MK IAP (N)



Notes

Dimensions shown in mm are not binding and may be changed without notice.