

**FCF 54**

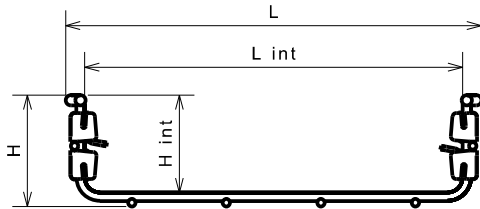
 Reference(s) : 081 060/070/080/090/100/200/250/300/400  
 081 061/071/081/091/101/201/251/301/401  
 081 068/078/088/098/108  
 081 064/074/084/094/104

**1. RANGE**

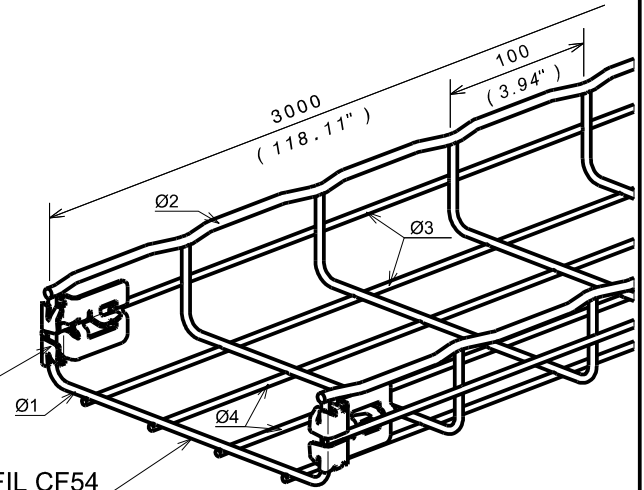
Designation	Code	Poids / Weight (Kg) (lb)		Pièce / Part	Matière / Material	Norme / Standard	Finition / Coating	Classe de résistance contre la corrosion / Class for resistance against corrosion
FCF 54/50 PG	081 060	1.884	4.154	CF54/50	C9D classe D / class D	EN 10244-2	PG	Classe 2 - CEI 61537 / Class 2 - IEC 61537
				FASCLIC 1	DX51D Z275 MAC	EN 10346	GS / PG	Classe 3 - CEI 61537 / Class 3 - IEC 61537
FCF 54/100 PG	081 070	2.310	5.093	CF54/100	C9D classe D / class D	EN 10244-2	PG	Classe 2 - CEI 61537 / Class 2 - IEC 61537
				FASCLIC 1	DX51D Z275 MAC	EN 10346	GS / PG	Classe 3 - CEI 61537 / Class 3 - IEC 61537
FCF 54/150 PG	081 080	3.099	6.831	CF54/150	C9D classe D / class D	EN 10244-2	PG	Classe 2 - CEI 61537 / Class 2 - IEC 61537
				FASCLIC 2	DX51D Z275 MAC	EN 10346	GS / PG	Classe 3 - CEI 61537 / Class 3 - IEC 61537
FCF 54/200 PG	081 090	3.970	8.753	CF54/200	C9D classe D / class D	EN 10244-2	PG	Classe 2 - CEI 61537 / Class 2 - IEC 61537
				FASCLIC 2	DX51D Z275 MAC	EN 10346	GS / PG	Classe 3 - CEI 61537 / Class 3 - IEC 61537
FCF 54/300 PG	081 100	6.033	13.301	CF54/300	C9D classe D / class D	EN 10244-2	PG	Classe 2 - CEI 61537 / Class 2 - IEC 61537
				FASCLIC 3	S235 JR	EN 10025	Fe/Zn12/A	Classe 3 - CEI 61537 / Class 3 - IEC 61537
FCF 54/400 PG	081 200	8.386	18.489	CF54/400 EA	C9D classe D / class D	EN 10244-2	PG	Classe 2 - CEI 61537 / Class 2 - IEC 61537
				FASCLIC 4	S235 JR	EN 10025	Fe/Zn12/A	Classe 3 - CEI 61537 / Class 3 - IEC 61537
FCF 54/450 PG	081 250	8.719	19.223	CF54/450 EA	C9D classe D / class D	EN 10244-2	PG	Classe 2 - CEI 61537 / Class 2 - IEC 61537
				FASCLIC 4	S235 JR	EN 10025	Fe/Zn12/A	Classe 3 - CEI 61537 / Class 3 - IEC 61537
FCF 54/500 PG	081 300	9.614	21.196	CF54/500 EA	C9D classe D / class D	EN 10244-2	PG	Classe 2 - CEI 61537 / Class 2 - IEC 61537
				FASCLIC 4	S235 JR	EN 10025	Fe/Zn12/A	Classe 3 - CEI 61537 / Class 3 - IEC 61537
FCF 54/600 PG	081 400	10.280	22.664	CF54/600 EA	C9D classe D / class D	EN 10244-2	PG	Classe 2 - CEI 61537 / Class 2 - IEC 61537
				FASCLIC 4	S235 JR	EN 10025	Fe/Zn12/A	Classe 3 - CEI 61537 / Class 3 - IEC 61537
FCF 54/50 EZ	081 061	1.941	4.278	CF54/50	C9D	EN ISO 16120-2	Fe/Zn12/A	Classe 3 - CEI 61537 / Class 3 - IEC 61537
				FASCLIC 1	S235 JR	EN 10025	Fe/Zn12/A	Classe 3 - CEI 61537 / Class 3 - IEC 61537
FCF54/100 EZ	081 071	2.380	5.246	CF54/100	C9D	EN ISO 16120-2	Fe/Zn12/A	Classe 3 - CEI 61537 / Class 3 - IEC 61537
				FASCLIC 1	S235 JR	EN 10025	Fe/Zn12/A	Classe 3 - CEI 61537 / Class 3 - IEC 61537
FCF54/150 EZ	081 081	3.192	7.036	CF54/150	C9D	EN ISO 16120-2	Fe/Zn12/A	Classe 3 - CEI 61537 / Class 3 - IEC 61537
				FASCLIC 2	S235 JR	EN 10025	Fe/Zn12/A	Classe 3 - CEI 61537 / Class 3 - IEC 61537
FCF54/200 EZ	081 091	4.089	9.015	CF54/200	C9D	EN ISO 16120-2	Fe/Zn12/A	Classe 3 - CEI 61537 / Class 3 - IEC 61537
				FASCLIC 2	S235 JR	EN 10025	Fe/Zn12/A	Classe 3 - CEI 61537 / Class 3 - IEC 61537
FCF54/300 EZ	081 101	6.212	13.695	CF54/300	C9D	EN ISO 16120-2	Fe/Zn12/A	Classe 3 - CEI 61537 / Class 3 - IEC 61537
				FASCLIC 3	S235 JR	EN 10025	Fe/Zn12/A	Classe 3 - CEI 61537 / Class 3 - IEC 61537
FCF54/400 EZ	081 201	9.214	20.314	CF54/400	C9D	EN ISO 16120-2	Fe/Zn12/A	Classe 3 - CEI 61537 / Class 3 - IEC 61537
				FASCLIC 4	S235 JR	EN 10025	Fe/Zn12/A	Classe 3 - CEI 61537 / Class 3 - IEC 61537
FCF54/450 EZ	081 251	9.846	21.708	CF54/450	C9D	EN ISO 16120-2	Fe/Zn12/A	Classe 3 - CEI 61537 / Class 3 - IEC 61537
				FASCLIC 4	S235 JR	EN 10025	Fe/Zn12/A	Classe 3 - CEI 61537 / Class 3 - IEC 61537
FCF54/500 EZ	081 301	10.479	23.102	CF54/500	C9D	EN ISO 16120-2	Fe/Zn12/A	Classe 3 - CEI 61537 / Class 3 - IEC 61537
				FASCLIC 4	S235 JR	EN 10025	Fe/Zn12/A	Classe 3 - CEI 61537 / Class 3 - IEC 61537
FCF54/600 EZ	081 401	11.744	25.890	CF54/600	C9D	EN ISO 16120-2	Fe/Zn12/A	Classe 3 - CEI 61537 / Class 3 - IEC 61537
				FASCLIC 4	S235 JR	EN 10025	Fe/Zn12/A	Classe 3 - CEI 61537 / Class 3 - IEC 61537
FCF54/50 304L	081 068	1.930	4.256	CF54/50	X2 Cr Ni 18-9	EN 10088-3	IN304L / SS304L	-
				FASCLIC 1	X2 Cr Ni Mo 17-12-2	EN 10088-2	IN316L / SS316L	-
FCF54/100 304L	081 078	2.367	5.219	CF54/100	X2 Cr Ni 18-9	EN 10088-3	IN304L / SS304L	-
				FASCLIC 1	X2 Cr Ni Mo 17-12-2	EN 10088-2	IN316L / SS316L	-
FCF54/150 304L	081 088	2.804	6.183	CF54/150	X2 Cr Ni 18-9	EN 10088-3	IN304L / SS304L	-
				FASCLIC 1	X2 Cr Ni Mo 17-12-2	EN 10088-2	IN316L / SS316L	-
FCF54/200 304L	081 098	3.650	8.047	CF54/200	X2 Cr Ni 18-9	EN 10088-3	IN304L / SS304L	-
				FASCLIC 2	X2 Cr Ni Mo 17-12-2	EN 10088-2	IN316L / SS316L	-
FCF54/300 304L	081 108	5.335	11.761	CF54/300	X2 Cr Ni 18-9	EN 10088-3	IN304L / SS304L	-
				FASCLIC 2	X2 Cr Ni Mo 17-12-2	EN 10088-2	IN316L / SS316L	-
FCF54/50 316L	081 064	1.930	4.256	CF54/50	X2 Cr Ni Mo 17-12-2	EN 10088-3	IN316L / SS316L	-
				FASCLIC 1	X2 Cr Ni Mo 17-12-2	EN 10088-2	IN316L / SS316L	-
FCF54/100 316L	081 074	2.367	5.219	CF54/100	X2 Cr Ni Mo 17-12-2	EN 10088-3	IN316L / SS316L	-
				FASCLIC 1	X2 Cr Ni Mo 17-12-2	EN 10088-2	IN316L / SS316L	-
FCF54/150 316L	081 084	2.804	6.183	CF54/150	X2 Cr Ni Mo 17-12-2	EN 10088-3	IN316L / SS316L	-
				FASCLIC 1	X2 Cr Ni Mo 17-12-2	EN 10088-2	IN316L / SS316L	-
FCF54/200 316L	081 094	3.650	8.047	CF54/200	X2 Cr Ni Mo 17-12-2	EN 10088-3	IN316L / SS316L	-
				FASCLIC 2	X2 Cr Ni Mo 17-12-2	EN 10088-2	IN316L / SS316L	-
FCF54/300 316L	081 104	5.335	11.761	CF54/300	X2 Cr Ni Mo 17-12-2	EN 10088-3	IN316L / SS316L	-
				FASCLIC 2	X2 Cr Ni Mo 17-12-2	EN 10088-2	IN316L / SS316L	-

**FCF 54**

 Reference(s) : 081 060/070/080/090/100/200/250/300/400  
 081 061/071/081/091/101/201/251/301/401  
 081 068/078/088/098/108  
 081 064/074/084/094/104

**2. DIMENSIONS (mm/inch)**

 ECLISSE FASCLIC /  
SPLICE FASCLIC

CABLOFIL CF54



Designation	Ø1		Ø2		Ø3		Ø4		L int		L		H int		H	
	(mm)	(inch)	(mm)	(inch)	(mm)	(inch)	(mm)	(inch)	(mm)	(inch)	(mm)	(inch)	(mm)	(inch)	(mm)	(inch)
FCF 54/50 PG/EZ	3.9	0.15	3.9	0.15	3.9	0.15	-	-	50.0	1.97	65.6	2.58	51.7	2.04	58.5	2.30
FCF 54/100 PG/EZ	3.9	0.15	3.9	0.15	3.9	0.15	-	-	100.0	3.94	115.6	4.55	51.7	2.04	58.5	2.30
FCF 54/150 PG/EZ	4.4	0.17	4.4	0.17	3.9	0.15	3.9	0.15	150.0	5.91	167.6	6.60	51.6	2.03	58.9	2.32
FCF 54/200 PG/EZ	4.4	0.17	5.5	0.22	3.9	0.15	3.9	0.15	200.0	7.87	220.9	8.70	51.6	2.03	58.9	2.32
FCF 54/300 PG/EZ	4.4	0.17	5.5	0.22	5.5	0.22	3.9	0.15	300.0	11.81	320.9	12.63	51.6	2.03	60.6	2.39
FCF 54/400 PG/EZ	5.9	0.23	5.9	0.23	5.9	0.23	3.9	0.15	400.0	15.75	423.6	16.68	51.1	2.01	62.0	2.44
FCF 54/450 PG/EZ	5.9	0.23	5.9	0.23	5.9	0.23	3.9	0.15	450.0	17.72	473.6	18.65	51.1	2.01	62.0	2.44
FCF 54/500 PG/EZ	5.9	0.23	5.9	0.23	5.9	0.23	3.9	0.15	500.0	19.69	523.6	20.61	51.1	2.01	62.0	2.44
FCF 54/600 PG/EZ	5.9	0.23	5.9	0.23	5.9	0.23	3.9	0.15	600.0	23.62	623.6	24.55	51.1	2.01	62.0	2.44
FCF 54/50 304L/316L	3.9	0.15	3.9	0.15	3.9	0.15	-	-	50.0	1.97	65.6	2.58	51.7	2.04	58.7	2.31
FCF 54/100 304L/316L	3.9	0.15	3.9	0.15	3.9	0.15	-	-	100.0	3.94	115.6	4.55	51.7	2.04	58.7	2.31
FCF 54/150 304L/316L	3.9	0.15	3.9	0.15	3.9	0.15	3.9	0.15	150.0	5.91	165.6	6.52	51.7	2.04	58.7	2.31
FCF 54/200 304L/316L	4.4	0.17	4.4	0.17	3.9	0.15	3.9	0.15	200.0	7.87	217.6	8.57	51.6	2.03	58.9	2.32
FCF 54/300 304L/316L	4.4	0.17	5.5	0.22	4.4	0.17	3.9	0.15	300.0	11.81	320.9	12.63	51.6	2.03	58.9	2.32

**3. INSTALLATION**
