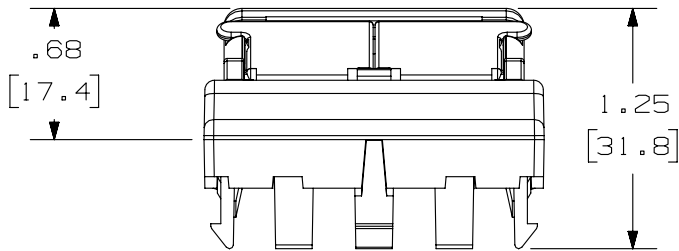
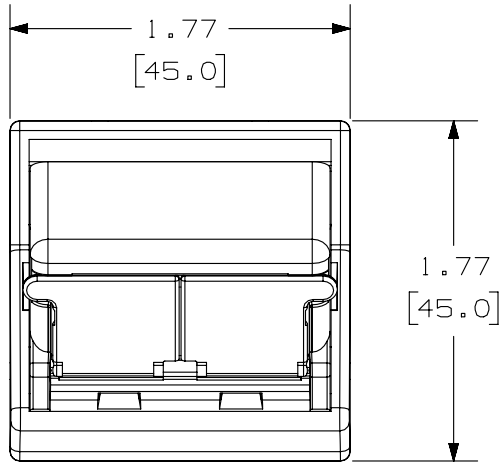


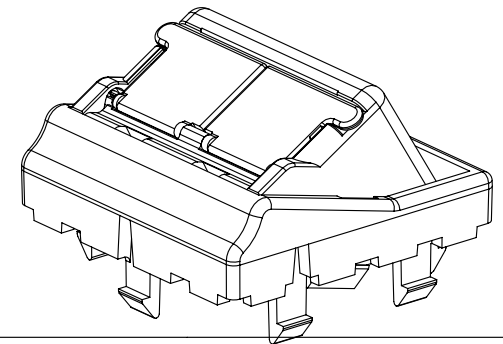
THIS COPY IS PROVIDED ON A RESTRICTED BASIS AND IS NOT TO BE USED IN ANY WAY DETRIMENTAL TO THE INTERESTS OF PANDUIT CORP.



PANDUIT P/N	WEIGHT
CFPFS2S**	.25 LB/10 PCS (112.2g/10 PCS)

NOTES:

- SEE CURRENT CATALOG FOR ADDITIONAL PART NUMBER SUFFIXES TO INDICATE COLOR AND OR PACKAGE QUANTITY.
- SEE CATALOG FOR COMPLETE LIST OF PARTS APPLICABLE FOR USE WITH THIS PART.
- DIMENSIONS IN [ ] ARE IN METRIC.
- PART INCLUDES:  
1- 45 X 45 ADAPTER  
1- 2 POSITION SLOPED SHUTTERED INSERT



PART NUMBER		CFPFS2S**	
TITLE			
MINI-COM 2 POSITION SLOPED SHUTTERED 45X45mm FRENCH ADAPTER KIT			
CUSTOMER DRAWING			
ITEM REVISION NAME		M00142CR/00	
DATASET FILE NAME		M00142CR_DC/00C	
UNLESS OTHERWISE SPECIFIED, DIMENSIONAL TOLERANCES ARE: IN [ mm ]		MATERIAL:	
.x ± .xxx ± .010 [ .3 ]		ABS	
.xx ± .03 [ .8 ]		DRAWING NUMBER:	
ANGLES ±		00142-44	
THIRD ANGLE PROJECTION		SHT 1 OF 1	
DRAWN BY	DATE	CHK	SCALE
JSP	1-10-00	PBD	NONE
REV	DATE	BY	CHK
3	4/7/14	JSP	REFR
APR	DESCRIPTION		ECN
MMR	B. REVISED AND REDRAWN, PREVIOUS REVISIONS OMITTED.		00142-44

D10100DA/14

2

1

2

1