

Part number

CR CX01R



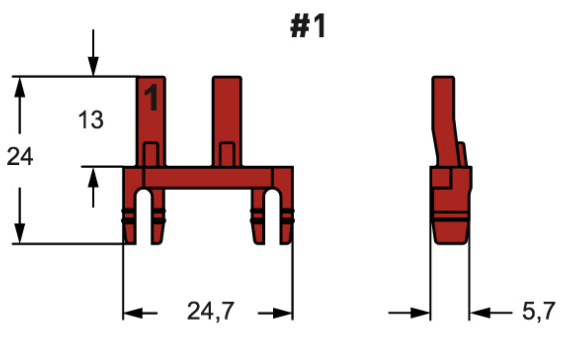
Coding pin, red, for Mixo One enclosures

Product description		Approvals / Standards	
Product type	Coding pin	UL	ECBT2
Specification	For Mixo One enclosures Plastic, red	cUL	ECBT8
Further technical details		General ordering information	
Weight	1,00 g	EAN13 code	8015747263092
		eCl@ss 8.1	27440203
		ETIM 7.0	EC002311
		Packaging Information	
		Sub-packaging description	Plastic bag
		Sub-packaging quantity	2 Pcs
		Sub-packaging EAN barcode	8015747270755

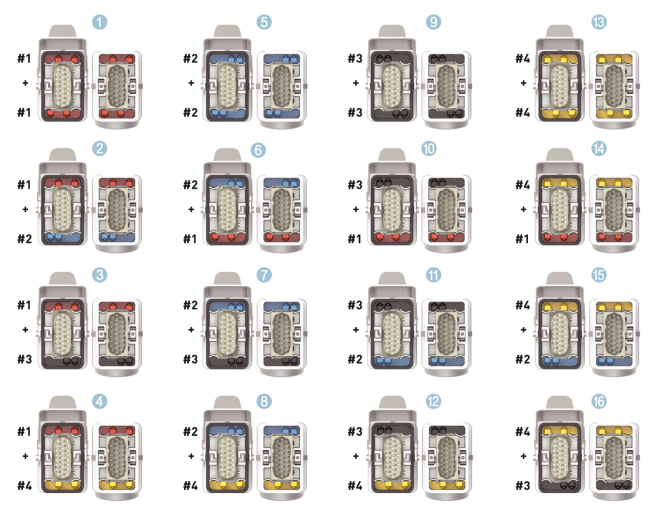
Part number CR CX01R



Catalogue drawings



Catalogue drawings



Notes

Dimensions shown in mm are not binding and may be changed without notice.