



LBV321-XTGCRKMx01500

LBV301

VIBRATING LEVEL SWITCH

SICK
Sensor Intelligence.



Illustration may differ



Ordering information

| Type | Part no. |
|-----------------------|----------|
| LBV321-XXTGCRKMX01500 | 6071949 |

Other models and accessories → www.sick.com/LBV301

Detailed technical data

Features

| | |
|------------------------------|--------------------------|
| Medium | Bulk solids |
| Measurement | Switch |
| Probe length | 1,500 mm |
| Process pressure | -1 bar ... 6 bar |
| Process temperature | -20 °C ... +80 °C |
| Fill material density | ≥ 0.02 g/cm ³ |
| Tensile strength | ≤ 3,000 N |

Performance

| | |
|-----------------------------------|---|
| Accuracy of sensor element | ± 10 mm |
| Reproducibility | ≤ 5 mm |
| Response time | 500 ms when covered / 1,000 ms when uncovered |
| MTBF | 4,17*10 ⁶ h |

Electronics

| | |
|-------------------------------|---|
| Power consumption | 5 mA ... 30 mA |
| Initialization time | < 2 s |
| VDE protection class 1 | ✓ |
| Connection type | M20 x 1.5 |
| Output signal | Double relay (DPDT) |
| Supply voltage | Double relay (DPDT): 20 V DC ... 72 V DC / 20 V AC ... 253 V AC |
| Hysteresis | 10 mm |
| Output current | > 10 μA; < 3A AC, 1A DC |
| Enclosure rating | IP66 / IP67 |

Mechanics

| | |
|---------------------------|--------------------------------------|
| Process connection | G 1 A |
| Housing material | Plastic |
| Sensor material | Stainless steel 316L, 318S, PUR, FEB |

Ambient data

| | |
|--------------------------------------|-------------------|
| Ambient operating temperature | -40 °C ... +70 °C |
| Ambient temperature, storage | -40 °C ... +80 °C |

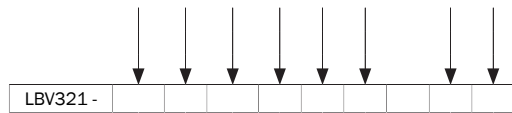
Classifications

| | |
|-----------------------|----------|
| ECLASS 5.0 | 27273202 |
| ECLASS 5.1.4 | 27273202 |
| ECLASS 6.0 | 27273202 |
| ECLASS 6.2 | 27273202 |
| ECLASS 7.0 | 27273202 |
| ECLASS 8.0 | 27273202 |
| ECLASS 8.1 | 27273202 |
| ECLASS 9.0 | 27273202 |
| ECLASS 10.0 | 27273202 |
| ECLASS 11.0 | 27273202 |
| ECLASS 12.0 | 27273106 |
| ETIM 5.0 | EC002654 |
| ETIM 6.0 | EC002654 |
| ETIM 7.0 | EC002654 |
| ETIM 8.0 | EC002654 |
| UNSPSC 16.0901 | 41111938 |

Type code

LBV321 type code

| | |
|--|---|
| Certification | |
| XX | without |
| CX | ATEX II 1G, 1/2 G, 2G Ex ia IIC T6 |
| CK | ATEX II 1G, 1/2 G, 2G Ex ia IIC T6 + |
| GX | ATEX II 1D, 1/2 D, 2D Ex tD IP66 T |
| Execution / Process temperature | |
| C | Cable PUR, detection of solids in water / -20 °C ... +80 °C |
| H | Cable FEP / -40 °C ... +150 °C |
| T | Cable PUR / -20 °C ... +80 °C |
| Process connection / Material (see below) | |
| Electronics | |
| C | Contact-free switch 20 ... 253 V AC (DC) |
| R | Relay (DPDT) 20 ... 72 V DC / 20 ... 253 V AC (3A) |
| T | Transistor (NPN/PNP) 10 ... 55 V DC |
| N | NAMUR signal |
| Housing / Enclosure rating | |
| K | Plastic / IP 66, IP 67 |
| A | Aluminum / IP 66, IP 67 |
| V | Stainless steel (investment casting) 316L / IP 66, IP 67 |
| 8 | Stainless steel (electropolished) 316L / IP 66, IP 67 |
| Cable entry / Male connector connection | |
| M | M20 x 1.5 / Without |
| N | ½" NPT / Without |
| Length 480 ... 80,000 mm | |
| Additional equipment | |
| X | without |
| Z | Locking screw with strain relief IP20/1.4305 |
| M | Locking screw with cable gland + strain relief IP65/316 |



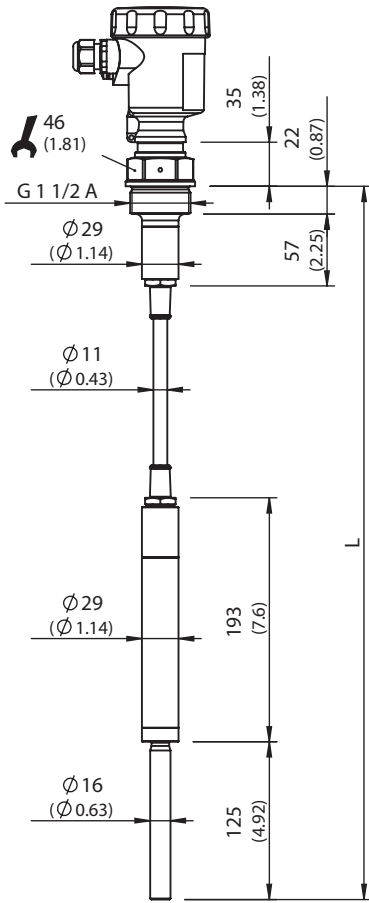
Not all variants of the type code can be combined!

Process connection / Material

| | | | |
|----------|--|----|--|
| XP | Without / 316L, Ra < 0.8 µm | 3F | Flange DN 125, PN 6, form C, DIN 2501 / 316L |
| GC | Thread G 1, DIN 3852-A, PN 6 / 316L | QF | Flange DN 150, PN 16, form C, DIN 2501 / 316L |
| GR | Thread G 1, DIN 3852-A, PN 6 / 316L, Ra < 0.8 µm | 2F | Flange DN 200, PN 10, form C, DIN 2501 / 316L |
| GD | Thread G 1 ½, DIN 3852-A, PN 16 / 316L | EB | Flange DN 50, PN 40, EN 1092-1, form B1 / 316L |
| GT | Thread G 1 ½, DIN 3852-A, PN 16 / 316L, Ra < 0.8 µm | DA | Flange 1 ½", 150 lb RF, ANSI B16.5 / 316L |
| NC | Thread 1" NPT, ASME B1.20.1, PN 6 / 316L | EA | Flange 1 ½", 300 lb RF, ANSI B16.5 / 316L |
| NR | Thread 1" NPT, ASME B1.20.1, PN 6 / 316L, Ra < 0.8 µm | HA | Flange 2", 150 lb RF, ANSI B16.5 / 316L |
| NH | Thread 1 ¼" NPT, ASME B1.20.1, PN 6 / 316L | IA | Flange 2", 300 lb RF, ANSI B16.5 / 316L |
| NI | Thread 1 ¼" NPT, ASME B1.20.1, PN 6 / 316L, Ra < 0.8 µm | OA | Flange 3", 150 lb RF, ANSI B16.5 / 316L |
| ND | Thread 1 ½" NPT, ASME B1.20.1, PN 16 / 316L | OE | Flange 3", 150 lb FF, ANSI B16.5 / 316L |
| NT | Thread 1 ½" NPT, ASME B1.20.1, PN 16 / 316L, Ra < 0.8 µm | PA | Flange 3", 300 lb RF, ANSI B16.5 / 316L |
| BF | Flange DN 32, PN 40, form C, DIN 2501 / 316L | PE | Flange 3", 300 lb FF, ANSI B16.5 / 316L |
| DF | Flange DN 40, PN 40, form C, DIN 2501 / 316L | JA | Flange 3 ½", 150 lb RF, ANSI B16.5 / 316L |
| EF | Flange DN 50, PN 40, form C, DIN 2501 / 316L | SA | Flange 4", 150 lb RF, ANSI B16.5 / 316L |
| 4F | Flange DN 65, PN 16, form C, DIN 2501 / 316L | UA | Flange 4", 300 lb RF, ANSI B16.5 / 316L |
| No error | Flange DN 80, PN 40, form C, DIN 2501 / 316L | AU | Flange DN 50, 10K RF, JIS / 316L |
| ZF | Flange DN 100, PN 6, form C, DIN 2501 / 316L | HU | Flange DN 65, 10K RF, JIS / 316L |
| MF | Flange DN 100, PN 16, form C, DIN 2501 / 316L | BU | Flange DN 80, 10K RF, JIS / 316L |
| OF | Flange DN 100, PN 40, form C, DIN 2501 / 316L | CU | Flange DN 100, 10K RF, JIS / 316L |

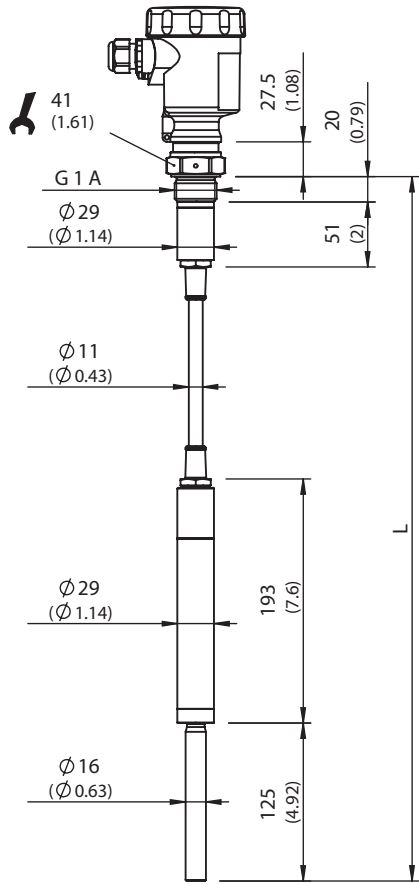
Dimensional drawing (Dimensions in mm (inch))

LBV321 threaded version G 1 1/2 A



All dimensions in mm (inch)

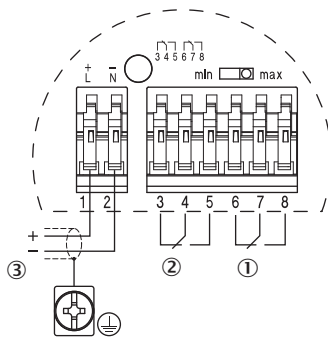
LBV321 threaded version G 1 A



All dimensions in mm (inch)

Connection diagram

Double relay connection diagram



- ① Relay output
- ② Relay output
- ③ Power supply

Instruction for installation

Horizontal mounting



- ① Protective sheet
- ② Concave protective sheet for abrasive solids

Characteristic curve

Ambient temperature - process temperature



- ① Process temperature in °C (°F)
- ② Ambient temperature in °C (°F)
- ③ Temperature range with temperature adapter

SICK AT A GLANCE

SICK is one of the leading manufacturers of intelligent sensors and sensor solutions for industrial applications. A unique range of products and services creates the perfect basis for controlling processes securely and efficiently, protecting individuals from accidents and preventing damage to the environment.

We have extensive experience in a wide range of industries and understand their processes and requirements. With intelligent sensors, we can deliver exactly what our customers need. In application centers in Europe, Asia and North America, system solutions are tested and optimized in accordance with customer specifications. All this makes us a reliable supplier and development partner.

Comprehensive services complete our offering: SICK LifeTime Services provide support throughout the machine life cycle and ensure safety and productivity.

For us, that is “Sensor Intelligence.”

WORLDWIDE PRESENCE:

Contacts and other locations –www.sick.com