



Panel m. color  
glcd mult.,  
Ethernet  
DMG8000  
Three-phase +  
neutral

Product designation

Product type designation

Type

### Auxiliary supply Us

Auxiliary rated supply voltage AC	VAC	100...240
Auxiliary rated supply voltage DC	VDC	110...250
Auxiliary operating voltage range		
AC		
	min	VAC 90
	Max	VAC 264
DC		
	min	VDC 100
	Max	VDC 300

Operational frequency

min	Hz	45
max	Hz	66

Power consumption

Max	VA	15
-----	----	----

Power dissipation Max

W	6
---	---

### Measuring voltage inputs

Rated voltage (Ue)			
	phase-phase	VAC	600
	phase-neutral	VAC	347

Operating voltage range

phase-phase	VAC	40...830
phase-neutral	VAC	5...480

Voltage inputs operational frequency

min	Hz	45 and 360
max	Hz	66 and 440

Voltage inputs measurement method

True RMS  
Single. Two.  
Three-phase with  
or without neutral.  
Balanced three-  
phase system.  
Three-phase  
ARON.

Connection method

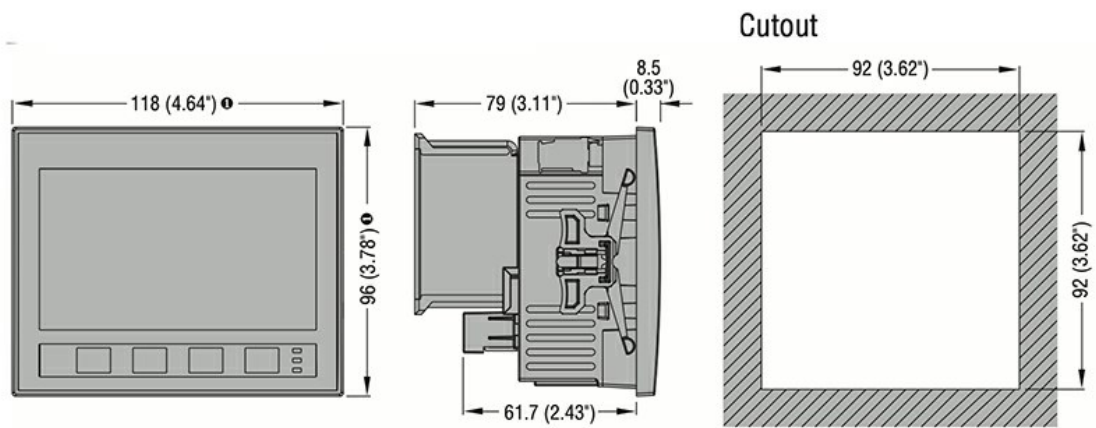
### Current inputs

Rated current (Ie)	A	1A/5A
Measurement range		0.004...6
Measurement method		TRMS

Overload capacity			+20% Ie by external CT with 5A secondary
Overload peak	A		120A for 0.5s
<b>Accuracy</b>			
	VLN voltage		Class 0.2 (IEC/EN 61557-12), V:50-480V~
	VLL voltage		Class 0.2 (IEC/EN 61557-12), V:87-830V~
	Current		Class 0.2 (IEC/EN 61557-12), In:5A~
	Frequency		Class 0.02 (IEC/EN 61557-12)
	Active power		Class 0.5 (IEC/EN 61557-12)
	Reactive power		Class 1 (IEC/EN 61557-12)
	Active energy		Class 0.5s (IEC/EN 62053-22)
	Reactive energy		Class 1 (IEC/EN 62053-24)
	THD		Class 5 (IEC/EN 61557-12)
	2nd 15th order harmonics		Class 5 (IEC/EN 61557-12)
<b>Insulations</b>			
Rated insulation voltage Ui IEC/EN	V		600
Rated impulse withstand voltage Uimp	kV		9.6
Operating frequency withstand voltage	kV		5.4
<b>Functions</b>			
Harmonic analysis			63rd order
PLC logic			Yes
Type of communication port			Ethernet
Ethernet-RS485 gateway function			+EXP1012
Data logging memory			Yes
Neutral/earth current and voltage monitoring			No
Statistics of network quality according to EN50160			No
EASY BRANCH support			Yes
<b>Mechanical features</b>			
Housing type			Xantar RAL 7035
Terminals type			Removable
Conductor cross section			
	min	mm <sup>2</sup>	0.2
	Max	mm <sup>2</sup>	2.5
	min	AWG	24
	Max	AWG	12
Tightening torque (Max)			
		Nm	0.5
		lbin	4.5

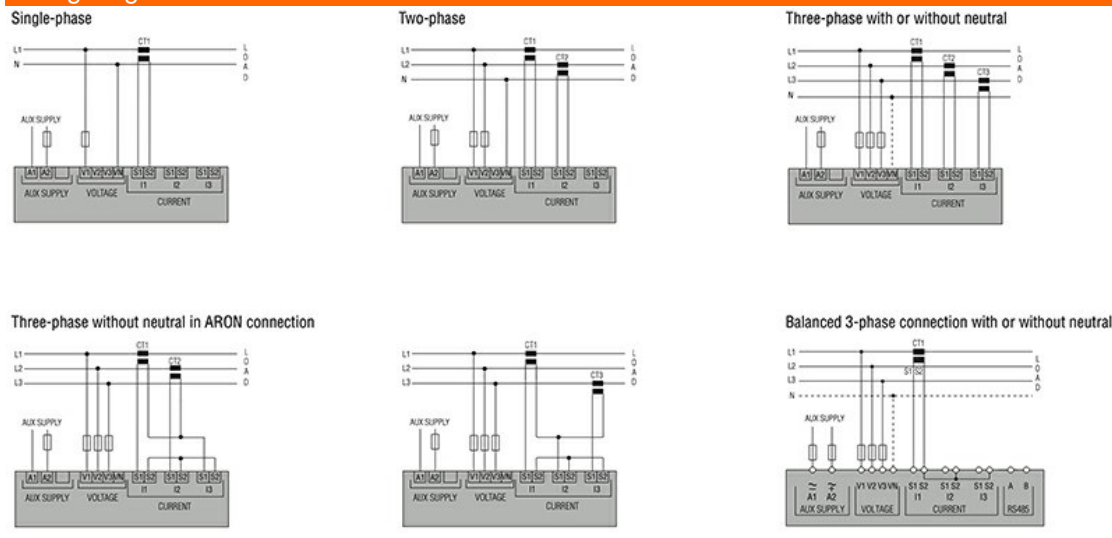
Fixing		Flush-mounting
Weight	g	420
<b>Ambient conditions</b>		
Temperature		
Operating temperature		
	min	°C -20
	max	°C +60
Storage temperature		
	min	°C -30
	max	°C +80
Relative humidity		% <80
Maximum Pollution degree		2
Protection degree		IP65

**Dimensions**

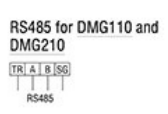


① Dimensions with gasket: 122x100mm/4.80x3.94".

**Wiring diagrams**



CODE	AUX SUPPLY
DMG100-110-200-210-300	100...240VAC 110...250VDC
DMG6...	100...440VAC 110...250VDC
DMG7000-7500-8000-9000	100...240VAC 110...250VDC



**Certifications and compliance**

Compliance  
IEC/EN/BS 61000-6-2  
IEC/EN/BS 61000-6-4

POWER ANALYZER WITH WIDESCREEN COLOUR LCD. AUXILIARY SUPPLY 100...240VAC.  
EXPANDABLE WITH 3 EXP... MODULES, BUILT-IN ETHERNET PORT, DATA MEMORY FOR  
LOGGING, COMPATIBLE WITH EASY BRANCH POWER MONITORING SYSTEM

---

IEC/EN/BS 61010-1

---

Certificates

CE

EAC

UKCA

---

ETIM classification

ETIM 8.0

EC002301 -  
Multifunction  
measuring  
instrument