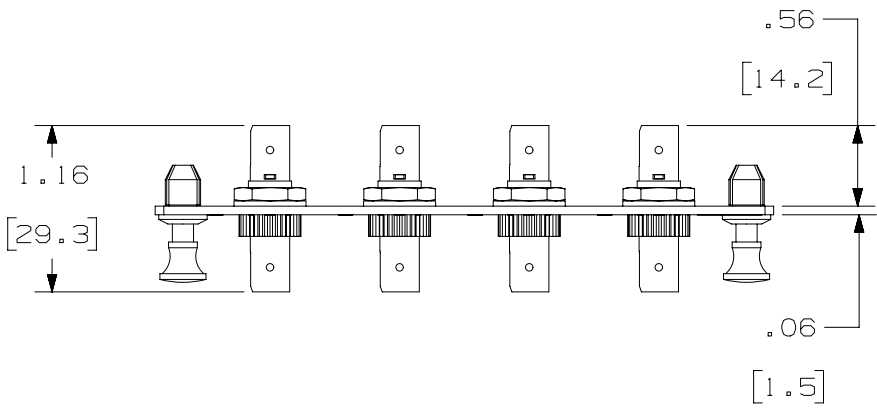


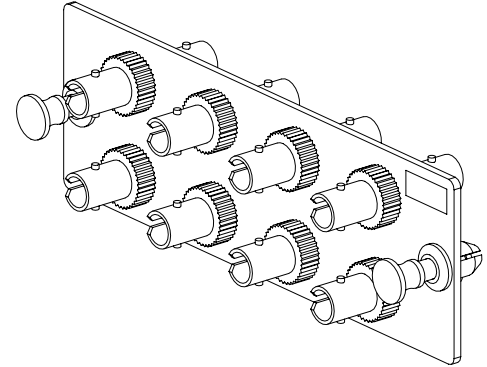
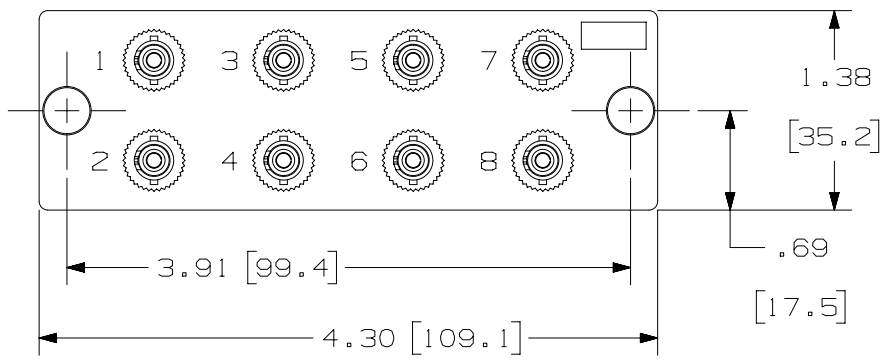
THIS COPY IS PROVIDED ON A RESTRICTED BASIS AND IS NOT TO BE USED IN ANY WAY DETRIMENTAL TO THE INTERESTS OF PANDUIT CORP.



PANDUIT P/N	DUST CAP COLOR	SPLIT SLEEVE TYPE
FAP8WST	YELLOW	PHOS BRONZE
FAP8WSTZ	RED	ZIRCONIA

- NOTES:
- SEE CURRENT CATALOG FOR PART NUMBER SUFFIXES TO INDICATE COLOR AND/OR PACKAGE QUANTITIES.
  - SEE CATALOG FOR COMPLETE LIST OF PARTS APPLICABLE FOR USE WITH THIS PRODUCT.
  - MATERIALS:  
 A. PLATE: C.R.S. POWDER COATED  
 B. ADAPTER: METALLIC BODY  
 C. SPLIT SLEEVE: SEE TABLE ABOVE
  - DIMENSIONS IN BRACKETS ARE METRIC.

DUST CAPS NOT SHOWN FOR CLARITY



PART NUMBER		FAP8WST, FAP8WSTZ	
TITLE		8 POSITION ST FIBER ADAPTER PANEL	
		CUSTOMER DRAWING	
ITEM REVISION NAME		M01945AC/00	
DATASET FILE NAME		M01945AC_DC/00C	
UNLESS OTHERWISE SPECIFIED, DIMENSIONAL TOLERANCES ARE: IN (mm)		MATERIAL:	
.x ± .xx ± .03 (.8)		.xxx ± .010 (.3)	
ANGLES ±		DRAWING NUMBER:	
THIRD ANGLE PROJECTION		01945-149	
DRAWN BY	DATE	CHK	SCALE
MC	09-14-10	MTV	NONE
SHT 1 OF 1		SIZE	
		A	

D10100DA/14

REV	DATE	BY	CHK	APR	DESCRIPTION	ECN
1	3/19/15	JSP	WJM	TMK	A. UPDATED DRAWING TITLE BLOCK.	01945-149