


21700591	<b>DATA SHEET</b>	
Valid from: 17.09.2018	<b>ED-CAN-AX-PRO</b>	

### Description

- EPIC® DATA CAN-Bus Sub-D connector
- Axial Version
- External terminal (7 - 10 mm)



### General characteristics

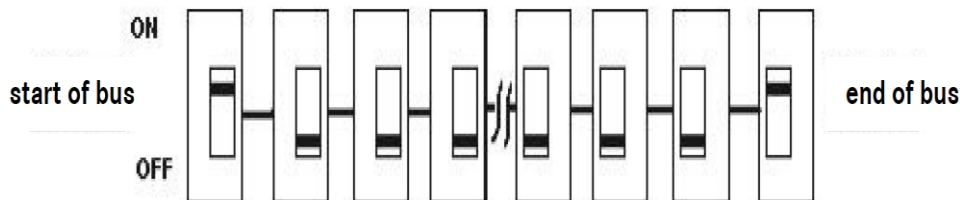
Cable outlet	Axial
Interfaces	CAN-Bus-station: SUB-D socket, 9-pole
Connectors and pin layout	Acc. to CAN-bus specification
Locking screw	Sub-D/UNC 4-40
CAN-Bus cable interfaces	Strain relief and shield connection
External cable clamp	Single wire termination
Suitable cable-Ø	7.0 - 10.0 mm
Wire size	0.08 - 0.5 mm <sup>2</sup> (AWG 28 - AWG 14)
Termination resistor	Activated via external switch
Transmission rate (max.)	1 Mbit/s
Temperature range	-20 °C to +70 °C (-4 °F to 158 °F)
Protection class	IP 30

### Mechanical characteristics

Dimensions	80.9 mm x 36.1 mm 14.8 mm (LxWxH)
Housing, material	Zn alloy
Lifetime	200 mating cycles

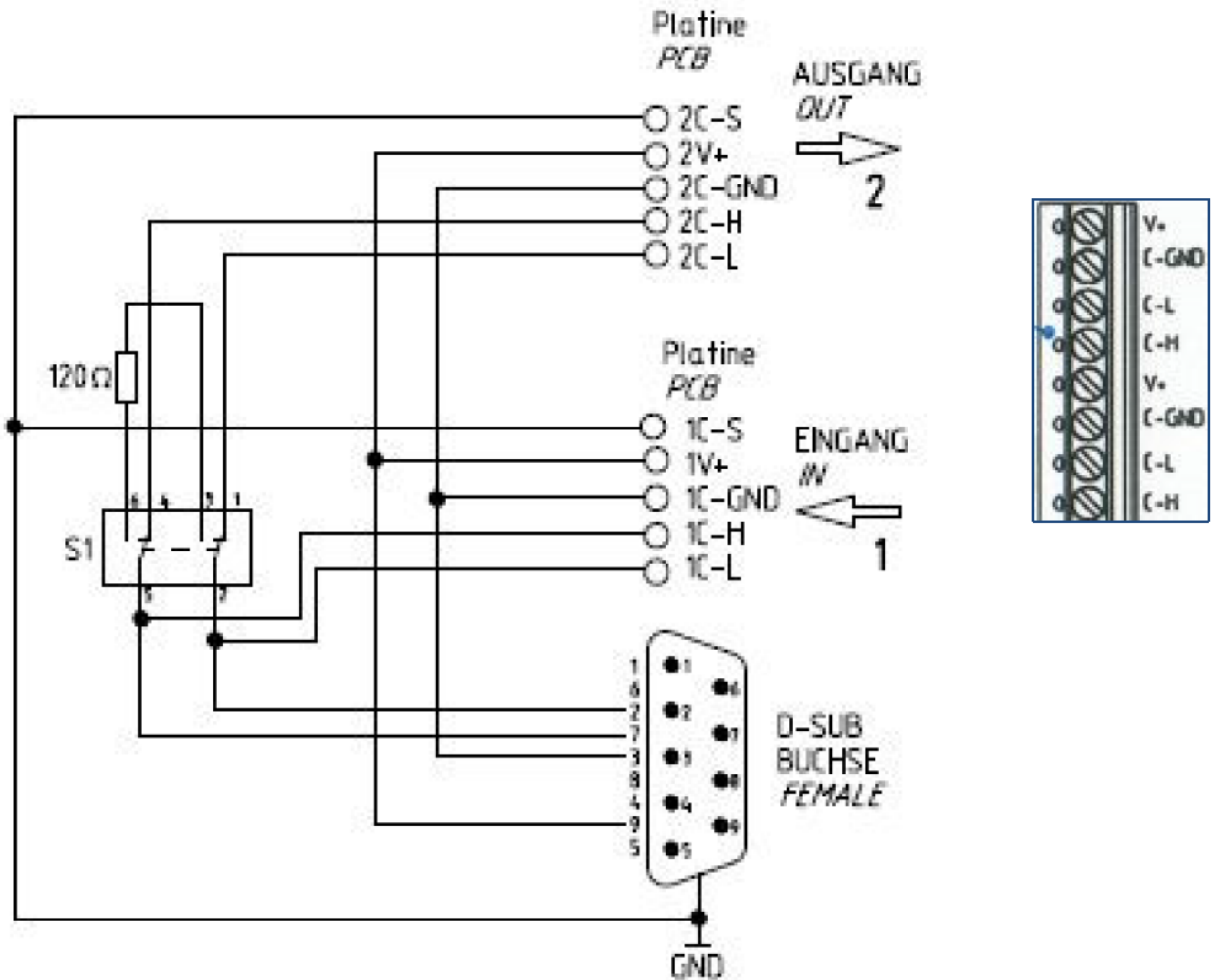
### Technische Zeichnungen

Bus-termination



Creator: MOKO2/PDP Released: IVSE1/PDP	Document: DB21700591EN Version: 01	Page 1 of 2
---	---------------------------------------	-------------

## Circuit

**Application range**

Automation, industrial machinery and plant engineering

**Note**

Photographs are not true to scale and do not represent detailed images of the respective products.