

Product designation				Rotary cam switches
Product type designation				7GN125
<b>General characteristics</b>				
Switching diagram				12 - Star-delta motor starter switch
N° of elements				4
Mounting form				O - Rear mounting with black handle
<b>Contact characteristics</b>				
Rated insulation voltage $U_i$	IEC/EN	V	690	
	UL/CSA	V	600	
Rated impulse withstand voltage $U_{imp}$			kV	6
Conventional free air thermal current $I_{th}$	IEC/EN	A	125	
	UL/CSA	A	130	
Rated operational voltage			V	690
Rated operational impulse voltage			kV	6
Maximum fuse size for short-circuit protection $I_n$ (gG)	10kA	A	125	
	15kA	A	100	
	25kA	A	100	
	50kA	A	100	
	63kA	A	100	
Rated short time current $I_{cw}$			1s	A
				2100
Conductivity				10/5 mA/V
Operational current $I_e$ IEC/EN	AC1/AC21A		A	125
	AC15			
		110V	A	40
		220/230V	A	28
		380/400V	A	15
		660/690V	A	5
Rated operational power in AC	Three-phase AC-3			
			220/230V	kW
			380/440V	kW
			500/690V	kW
				18.5
				37
				33
	Single-phase AC-3			
			110V	kW
			220/230V	kW
			380/440V	kW
				5
			11	
			15	
Three-phase AC23A				
		220/230V	kW	
		380/440V	kW	
		500/690V	kW	
			30	
			45	
			37	
Single-phase AC23A				
		110V	kW	
			5	

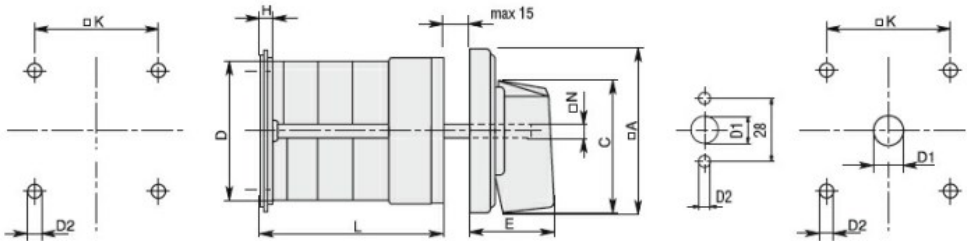
	220/230V	kW	11
	380/440V	kW	15
<b>Rated operational current in DC</b>			
DC21A			
	48V	A	125
	60V	A	80
	110V	A	10
	220V	A	1.2
<b>DC23A (poles in series)</b>			
	24V	A	125 (1)
	48V	A	125 (2)
	60V	A	125 (3)
	110V	A	50 (3)
	220V	A	20 (4)
<b>DC13</b>			
	24V	A	125
	48V	A	100
	60V	A	50
	110V	A	4
<b>Power dissipation</b>		W	6.3
<b>Mechanical features</b>			
<b>Terminals screw</b>			M2X5
<b>Tightening torque for terminals max</b>			Nm 2
<b>Conductor size</b>			
AWG - Rigid cable			
	min	AWG	14
	Max	AWG	1/0
AWG - Flexible cable			
	min	AWG	14
	Max	AWG	1/0
Conductor size (IEC) - Flexible cable			
	min	mm <sup>2</sup>	2.5
	Max	mm <sup>2</sup>	50
Conductor size (IEC) - Rigid cable			
	min	mm <sup>2</sup>	2.5
	Max	mm <sup>2</sup>	50
<b>Mechanical life</b>			cycles 1X10 <sup>6</sup>
<b>UL technical data</b>			
<b>Motor power for direct-on-line control</b>			
for three-phase motor			
	120V	HP	15
	240V	HP	25
	480V	HP	50
	600V	HP	40
for single-phase motor			
	120V	HP	5
	240V	HP	15
<b>Ambient conditions</b>			
<b>Temperature</b>			
Operating temperature			
	min	°C	-25
	max	°C	+55
Storage temperature			
	min	°C	-40

max °C +70

**Resistance & Protection**

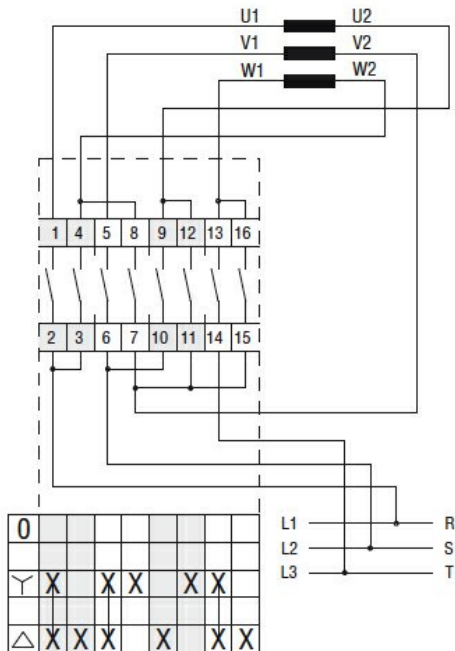
Frontal IP degree	IP40
Terminals IP degree	IP00

**Dimensions**



Series	Dimensions								L Number of elements											
	ØA	C	ØD	ØD2	E	H	ØK	ØN	1	2	3	4	5	6	7	8	9	10	11	12
7GN12	48	39.5	39	5	26.5	5	36	6	38.1	47.8	57.5	67.2	76.9	86.6	96.3	106	115.7	125.4	135.1	144.8
7GN20	48	39.5	39	5	26.5	5	36	6	38.1	47.8	57.5	67.2	76.9	86.6	96.3	106	115.7	125.4	135.1	144.8
7GN25	48	39.5	43	5	26.5	5	36	6	42.5	56.1	69.7	83.3	96.9	110.5	124.1	137.7	151.3	164.9	178.5	192.1
7GN32	65	53	58	5	34.5	5.5	48	7	48.5	63.6	78.7	93.8	108.9	124	139.1	154.2	169.3	184.4	199.5	214.6
7GN40	65	53	58	5	34.5	5.5	48	7	48.5	63.6	78.7	93.8	108.9	124	139.1	154.2	169.3	184.4	199.5	214.6
7GN63	65	53	62	6	34.5	7.5	68	7	53.3	71.4	89.5	107.6	125.7	143.8	161.9	180	198.1	216.2	234.3	252.4
7GN125	90	70.5	86	6	41.4	7.5	68	9	74.8	103.9	133	162.1	191.2	220.3	249.4	278.5	307.6	336.7	365.8	394.9

**Wiring diagrams**



**Certifications and compliance**

**Compliance**

- CSA C22.2 n° 14
- IEC/EN/BS 60947-1
- IEC/EN/BS 60947-3
- IEC/EN/BS 60947-5-1
- UL60947-4-1

**Certificates**

EAC  
UL

---

ETIM classification

ETIM 8.0

EC001029 -  
Selector switch,  
complete