



Product designation

Product type designation

Type of CT

Current
transformers
DM0T0050
Solid-core

Current inputs

Primary current I _{pn} (/5)	A	50
Operational frequency	min max	Hz Hz
		50 60
Secondary output current	A	5
Overload withstand I _{pn}	%	120
Burden	cl. 1	VA
		1.25

Insulations

Rated insulation voltage U _i IEC/EN	V	720
IEC rated short-time thermal current I _{th}	I _{th} for s	40...60
IEC rated dynamic current I _{dyn}	I _{th} for s	2.5
Insulation dry type		Class E

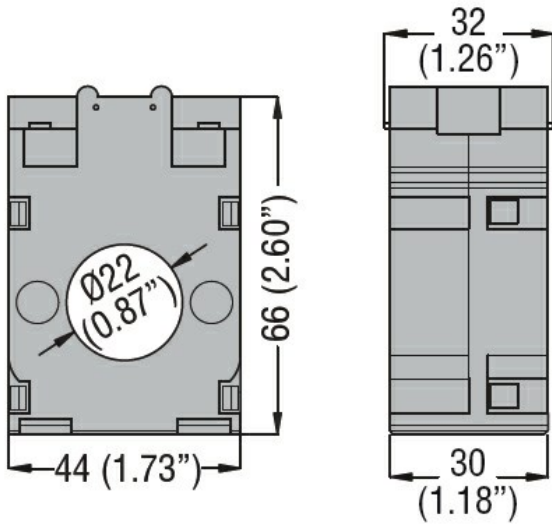
Mechanical features

Terminals type		Screw
Fixing		DIN rail or by Screw
Weight	g	200

Ambient conditions

Temperature	Operating temperature	min max	°C °C	-25 +50
	Storage temperature	min max	°C °C	-40 +80
Relative humidity			%	90
Protection degree				IP30

Dimensions



Certifications and compliance

Certifications

IEC/EN/BS 61869-1

IEC/EN/BS 61869-2

Compliance

EAC

ETIM classification

EC000066 - Power contactor, AC switching

□