

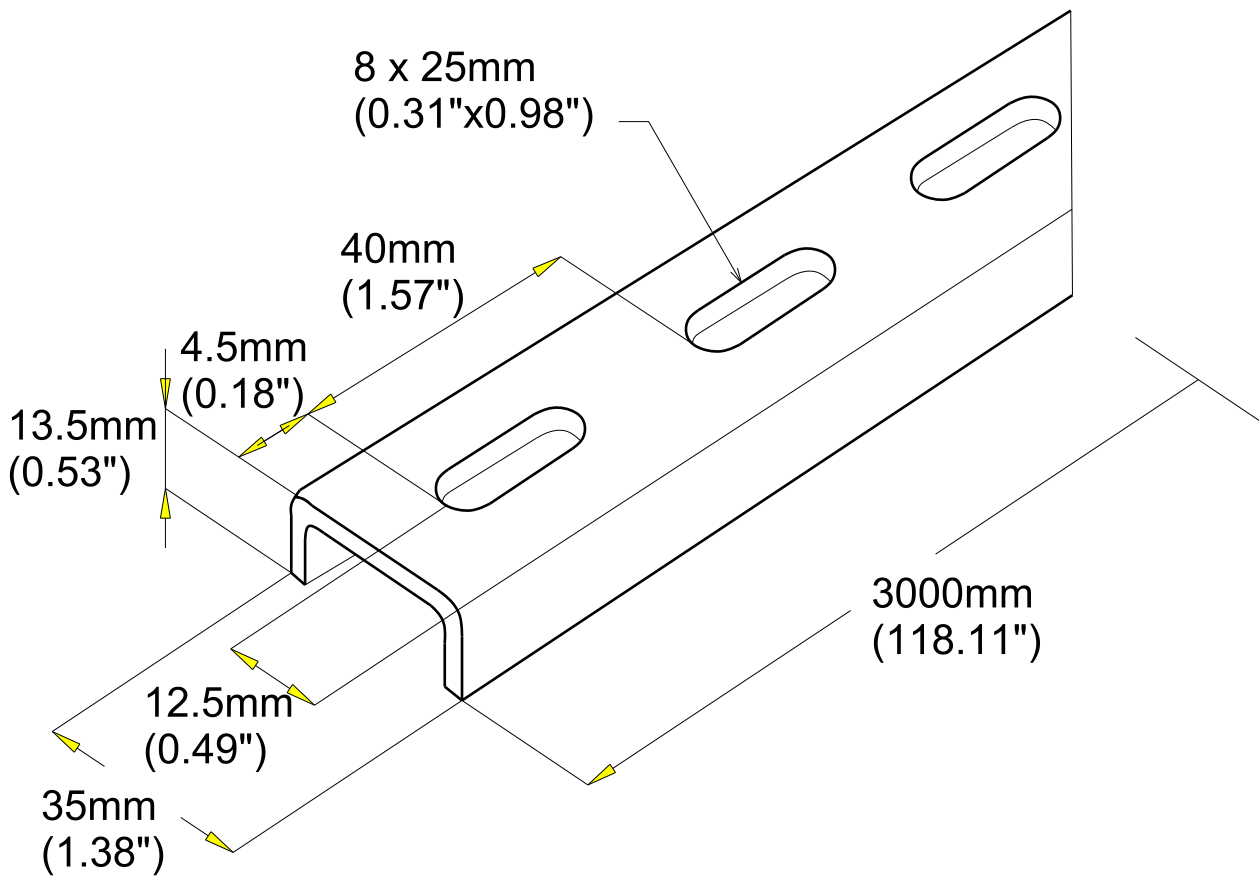
PROFIL U UBD 35  
U SECTION UBD 35

GC  
HDG

**legrand** | CABLE  
MANAGEMENT

FT0256-3

03 16



Material	Standard	Finishes	Standard
S235JR	EN 10025	Hot dip galvanized	EN ISO 1461

REF	CODE	POIDS (Kg/m)	WEIGHT (lb/ft)
UBD 35	524 151	0.800	0.538

EPAISSEUR / THICKNESS
1.8 / (0.07")