



Product designation Push button
Product type designation KSA9

General characteristics

Material

Housing Polymer thermoplastic

Contact characteristics

Type of contact 1NO/NC
Thermal current I_{th} A 15
IEC/EN 60947-5-1 designation A600 P300
Rated insulation voltage U_i V 250
Switching speed

min m/s 0.01
max m/s 1

Operating speed

min m/s 0.05
max m/s 1

IEC Conventional free air thermal current I_{th} A 15
Resistance per pole (average value) mΩ <15
Conductivity 10mA 5V

Mechanical features

Terminals type Faston
Operating head fixing Fixed
Operating torque

N 1.5
ozin 5.4

Weight g 35

Operations

Mechanical life cycles 20000000
Electrical life cycles 500000
Mechanical operation cycles/h 240

Ambient conditions

Temperature

Operating temperature

min °C -25
max °C +70

Storage temperature

min °C -40
max °C +70

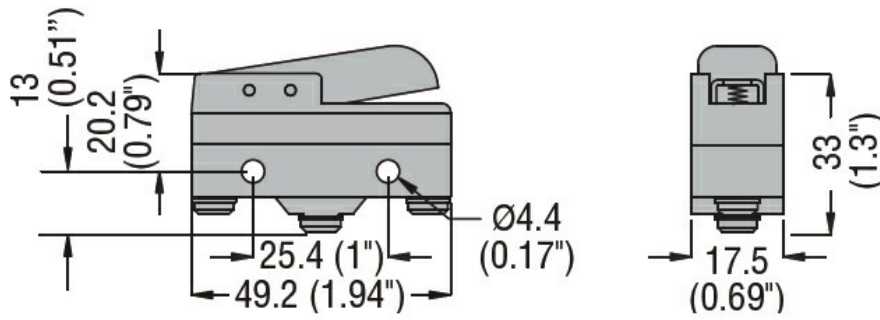
Resistance & Protection

IP degree

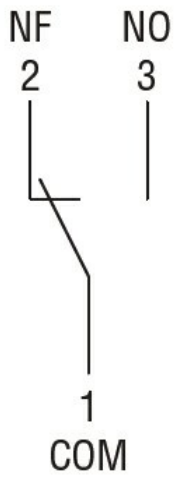
Body housing IP00 or IP20 with terminal shroud

Pollution degree 3

Dimensions



Wiring diagrams



Certifications and compliance

Compliance

CSA C22.2 n° 14.
 IEC/EN 60947-1
 IEC/EN 60947-5-1
 IEC/EN 61058-1
 UL508

Certificates

cURus
 EAC

ETIM classification

ETIM 8.0

EC000030 - End
 switch