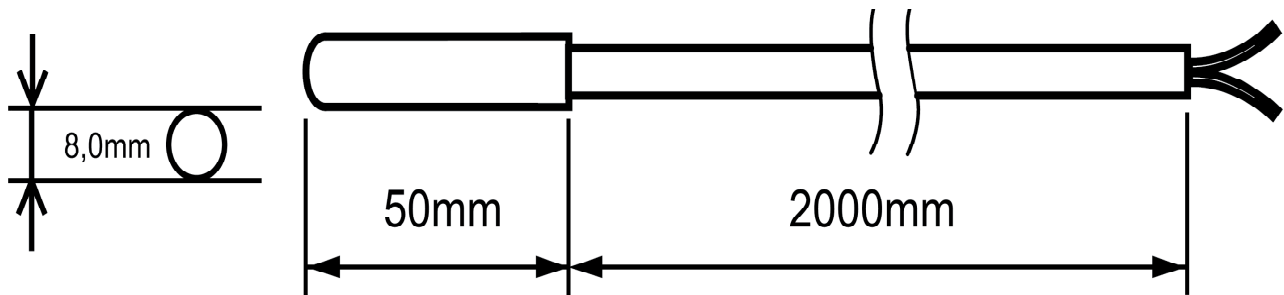


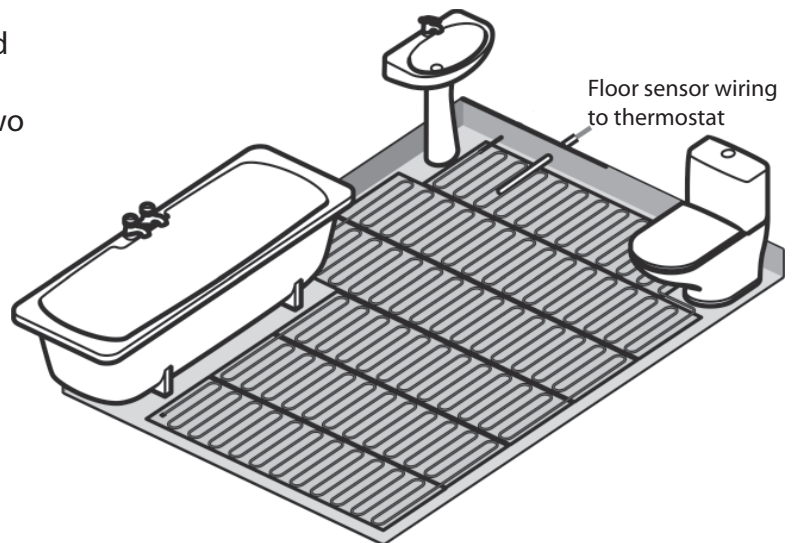
## TS3 Floor Sensor

### Installation Instructions



#### Mounting

The floor sensor is recommended to be placed in an installation pipe.  
The floor sensor should be placed between two pipes and near to the floor surface.



#### Specifications

10K $\Omega$ ±2% @ 25°C  
Encapsulated in Ø8mm x 50mm long Copper Tube 2 meter PVC cable.  
With end-stripped outer sheath 10mm, inner core insulation 5mm.

#### Wiring

Thermostats		
TP5000A Si	S1	S2
TP5000MA Si	S1	S2
TP7000A	6	7
TP7000MA	6	7
All 6000	9	10
All 8000	13	15

