


Part number

CXM 6/6



Male insert, CX series, crimp connection, 6 + 6 poles + PE, 100 A 690 V 8 kV 3 / 16 A 400 V 6 kV 3, size "104.27"

Product description

Product type	Insert
Series	CX
Connection type	Crimp connection
Gender	Male
N. of poles	6 poles + 
Auxiliary poles	6 poles
Size	Size 104.27

Technical data

Current	100 A
Voltage	690 V
Rated impulse withstand voltage	8 kV
Pollution degree	3
Rated voltage according to UL/CSA	600 V
IP degree of protection	IP20 without enclosure, IP65/IP66/IP68/IP69 with enclosure

Further technical details

Characteristics according to EN 61984	100A 690V 8kV 3 (aux: 16A 400V 6kV 3)
Mating cycles	≥ 500
Insulation resistance	≥ 10 GΩ
Contact resistance	≤ 0,3 mΩ (100A); ≤ 1 mΩ (16A)
Weight	102,00 g
Operating temperature range (min, max)	-40 °C ... +125 °C
Conductors stripping length	100A: 15mm; 16A: 7,5mm
UL 94 flammability rating	V-0
Tightening torque for PE connection	M4: 1,2 Nm, 10,6 lb.in (Ph2 or 1,0x5,5mm)
Tightening torque for fixing screws	M3: 0.5 Nm; 4.4 lb.in (Ph1 or 0.8x4 mm)

Material properties

Main material	Polycarbonate (PC)
Colour	RAL 7032 grey
RoHs conformity	Compliant
China RoHs - EFUP	E
REACH SVHC substances	No
Approvals / Standards	
Reference standard	EN 61984:2009-06
Certifications	CSA, CQC, DNV, BV, EAC
UL	ECBT2
cUL	ECBT8

General ordering information

EAN13 code	8015747192163
eCl@ss 8.1	27440205
ETIM 7.0	EC000438

Packaging Information

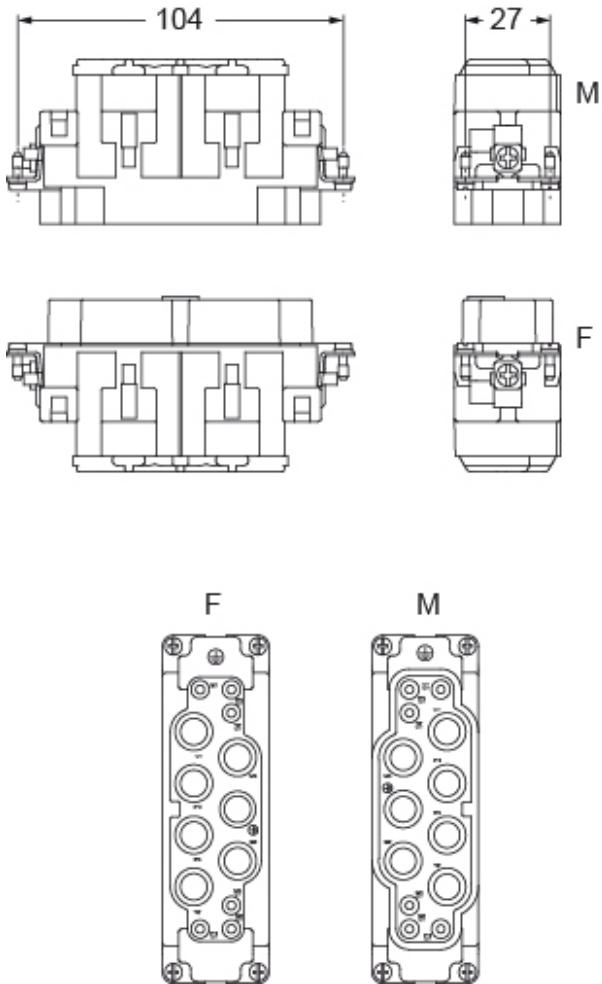
Packaging length	130,00 mm
Packaging height	145,00 mm
Packaging width	300,00 mm
Packaging weight	1,19 kg
Packaging volume	5,66 dm ³
Packaging description	Carton box
Packaging quantity	10 Pcs
Packaging EAN code	8015747192200
Sub-packaging weight	0,12 kg
Sub-packaging description	Plastic bag
Sub-packaging quantity	1 Pcs
Sub-packaging EAN barcode	8015747192217

Part number

CXM 6/6



Catalogue drawings



Notes

California Proposition 65 Information



WARNING

This product can expose you to nickel compounds, known to the State of California to cause cancer and/or reproductive toxicity. For more information go to www.P65Warnings.ca.gov.

without notice.