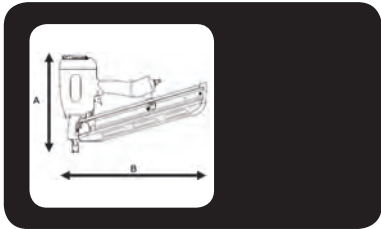




**Paslode®**

**PFS160**





# PFS160

		<p>A = 525 mm B = 515 mm C = 177 mm</p>
		<p>= 7,08 kg</p>

<p>3,84 l (6 bar) / </p>
<p>Ps max. = 8,3 bar</p>


<p>EN 12549+EN ISO 4871</p>	<p>L<sub>wA,1s</sub> = 110 dBA L<sub>pA,1s</sub> = 100 dBA L<sub>pA,1s,1m</sub> = 97 dBA</p>
<p>EN 12096 : 1997</p> <p>ISO 8662-11</p>	<p>Vibration = 6,2 m/s<sup>2</sup></p>

<p>= Max. 56</p>		
<p>A = 34°</p>		<p>L = 110 - 160 mm D = 9,4 mm (max.) d = 3.8 - 4.6 mm</p>



Sequential trigger actuation/ Einzelauslösung/ enkelschots/ Déclenchement du tir - mode séquentiel/ Funcionamiento secuencial "en continuo"/ Gatilho de actuação sequencial/ funzionamento sequenziale (colpo a colpo)/ Enkeltskuds aftrækker/ Enkelskott/ Enkeltskudds avtrekker/ Kertalaukaisu/ Üksiklasu meetodil töötamine/ Uruchromienie spustu sekwencyjne/ Sekvenční spoušť/ Egyes lövés (szakaszosan működtetett elsütő billentyűvel)/ Posamezno proženje/ Kontaktirajte singl / Последовательная активация при нажатии на курок/ Sekvenčná aktivácia spúšte/ التشغيل بالزر التسلسلي المقيد / Nuoseklusis paleidimo mechanizmas/ Sekvenciālās palaišanas iedarbināšana Raðkveikjувirkjun



**Model: PFS160 Full sequential Actuation  
No. 576867**







**PFS160**  
Pneumatic strip nailer  
for 34° paper  
collated nails  
Code: 576867  
Trigger actuation: Full sequential

Nail diameter: 3.8 - 4.6 mm  
Nail length: 110 - 160 mm  
Ps max = 8.3 bar

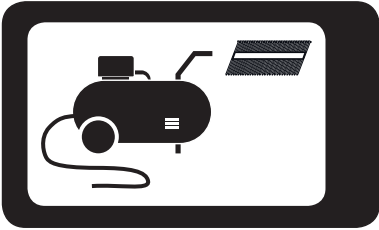
FSB Schindlerpressen GmbH,  
Carl-Deiters-Str. 19, 35599 Harroldingen, Germany

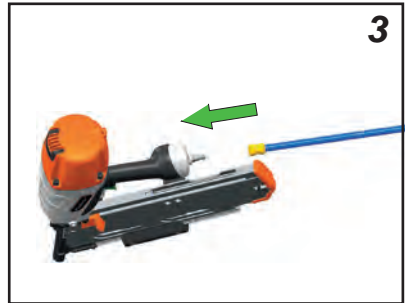
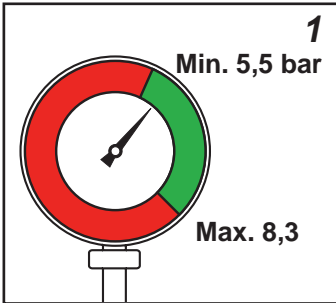
			
No.014748 + No.576672		No. 014121	

**Accessories**

		
No. 151299 / No. 576216 0,5 l oil / 1 l oil	No. 576377 Hanger	No. 576365 Exhaust Filter



014 748

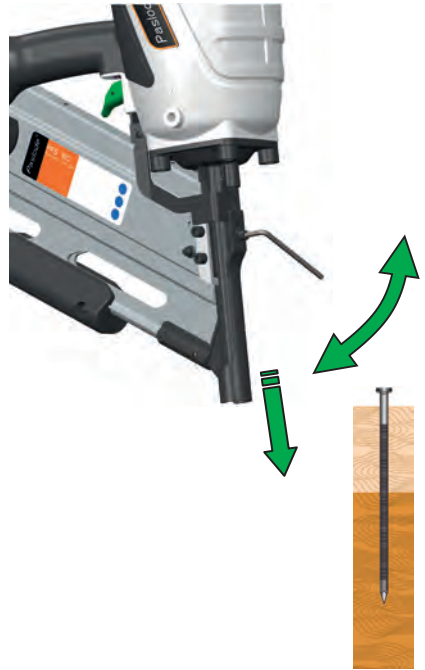
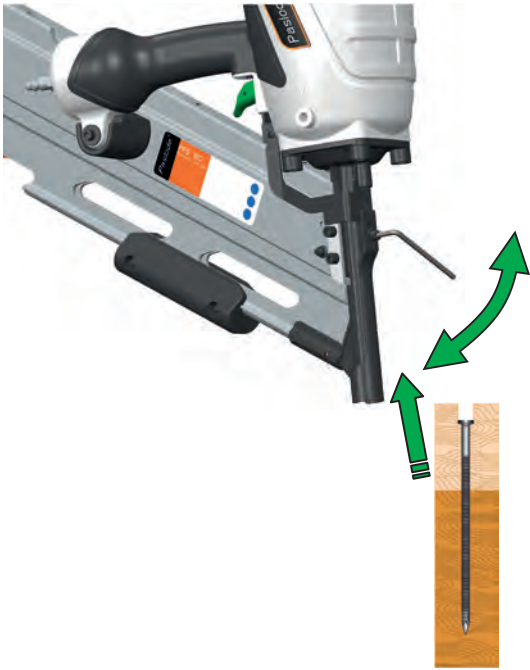
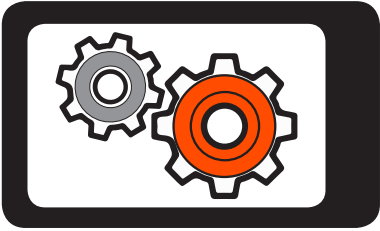


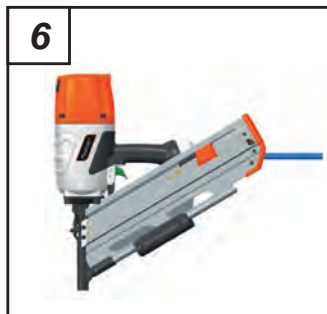
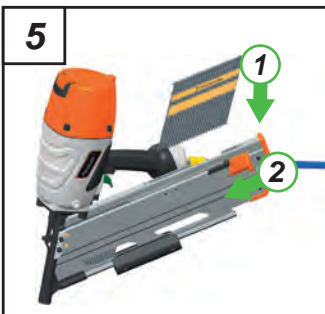
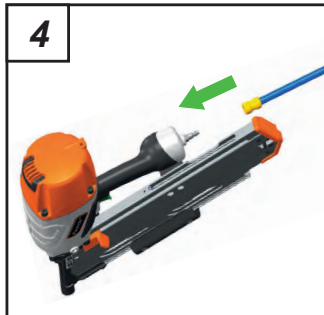
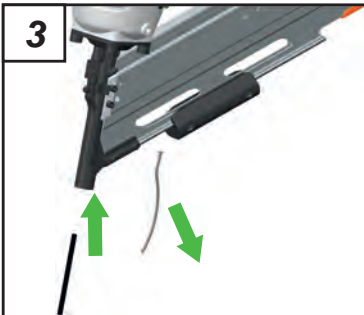
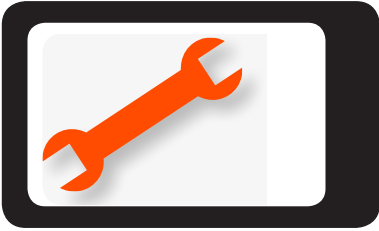




014 748









Resting position/ Ruheposition/ Position de repos/ Ruststand/  
Posición de descanso/ Posizione di riposo/ Posição de des-  
canso/ Pozycja spoczynku/ Klidová poloha/ Nyugalmi állapot/  
Положение в нерабочем состоянии/ Θέση αδράνειας/ Hvile-  
stilling/ Viloläge/ Hvileposisjon/ Lepoasento/ Položaj mirovanja/  
Pokojová poloha/ Položaj mirovanja/ وضع السكون / Ramybės  
padėtis/ Ooteasend/ Miera stāvoklis/ Hvíldarstaða





ITW CONSTRUCTION PRODUCTS EUROPE  
Code 576672 (05/2019)  
[www.spitpaslode.com](http://www.spitpaslode.com)