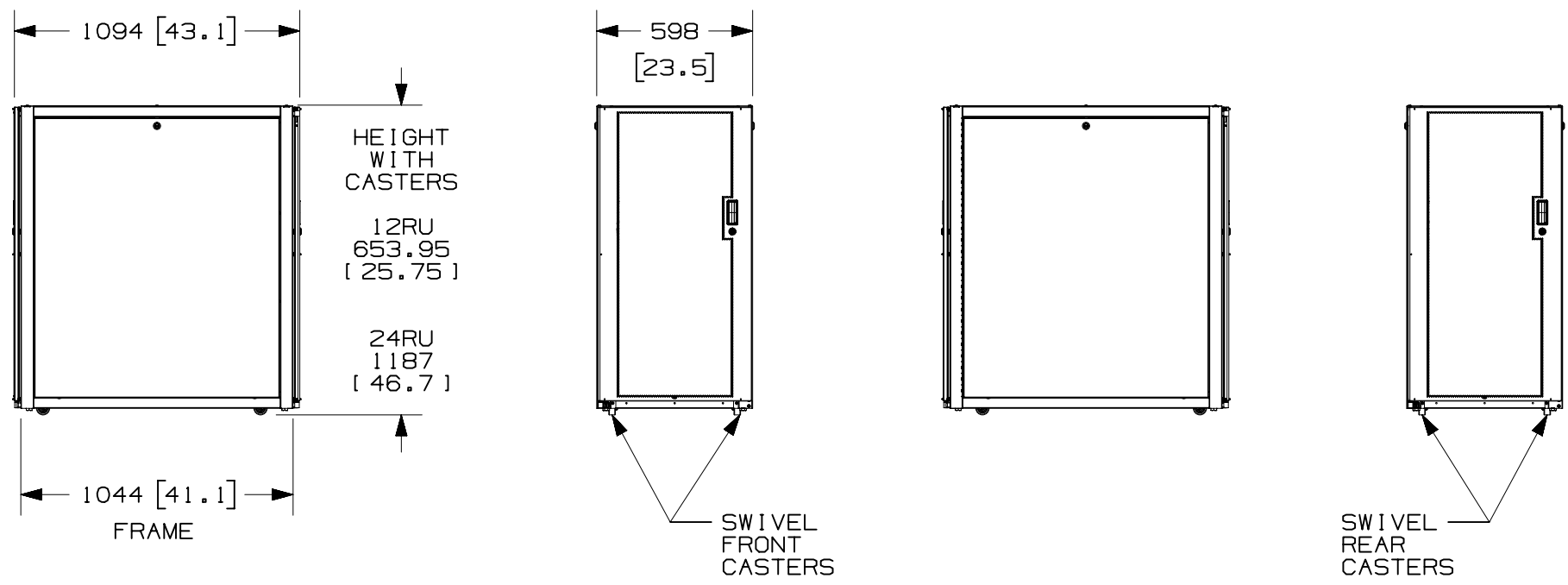


2

1

THIS COPY IS PROVIDED ON A RESTRICTED BASIS AND IS NOT TO BE USED IN ANY WAY DETRIMENTAL TO THE INTERESTS OF PANDUIT CORP.



B

B

A

A

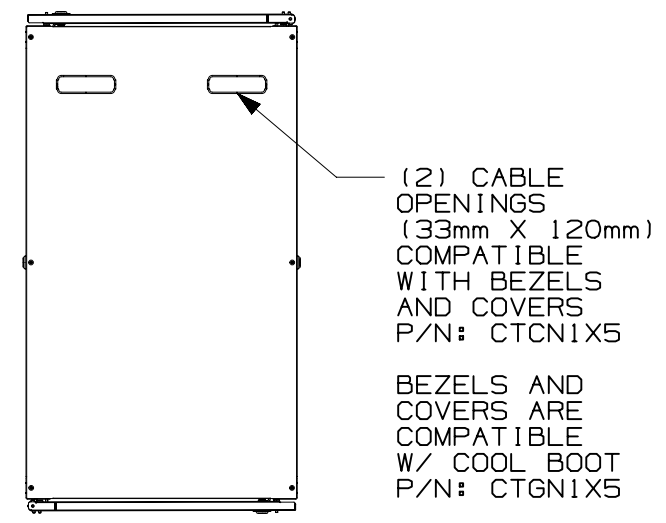
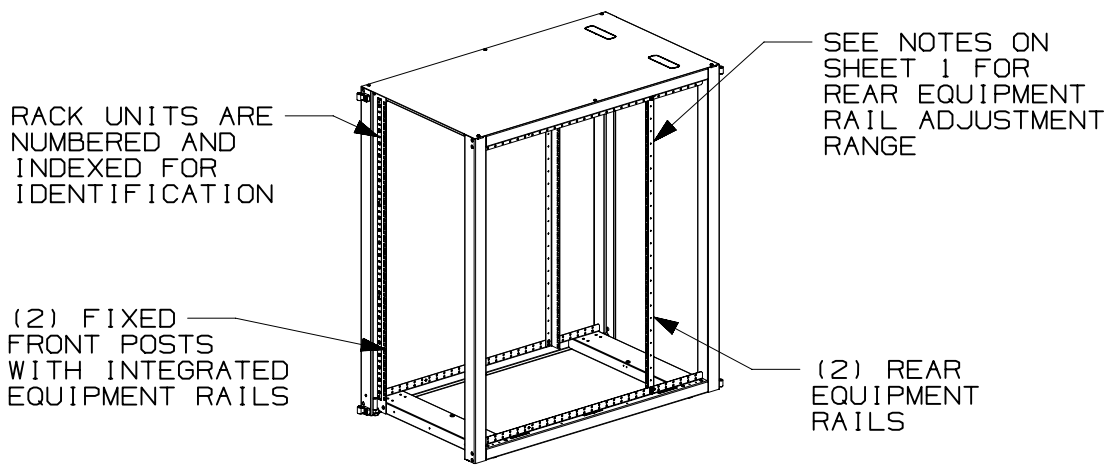
OOA	5-17-13	TKW	PBD		SEE SHEET 1 OF 5 FOR REVISIONS				13V368ZC-DC
REV	DATE	BY	CHK	APR	DESCRIPTION	ECN			

TITLE				ENTERPRISE SERVER CONFIGURED CABINET 600mm WIDE x 1070mm DEEP FAMILY					
CUSTOMER DRAWING									
ITEM REVISION NAME				13V368ZC/00.PRT					
DATASET FILE NAME				13V368ZC_DC/00A.PRT					
UNLESS OTHERWISE SPECIFIED, DIMENSIONAL TOLERANCES ARE:				MATERIAL/COLOR:					
INCHES		METRIC - MILLIMETER		ANGLE		N/A			
X.X	+/- 0.03	X.	+/- 0.8						
X.XX	+/- 0.018	X.X	+/- 0.46	+/- 1°					
X.XXX	+/- 0.007	X.XX	+/- 0.18						
DRAWING NUMBER:				13V368ZC-DC					
DRAWN BY		DATE		CHK		SCALE		SIZE	
TKW		5-17-13		PBD		NONE		A	

2

1

THIS COPY IS PROVIDED ON A RESTRICTED BASIS AND IS NOT TO BE USED IN ANY WAY DETRIMENTAL TO THE INTERESTS OF PANDUIT CORP.



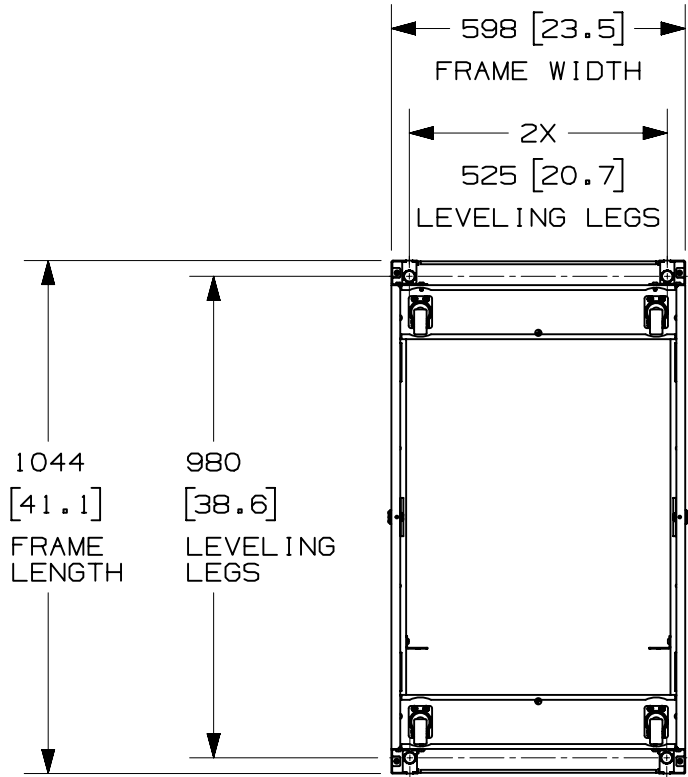
FRONT DOOR, REAR DOOR, AND SIDE PANELS NOT SHOWN

TOP VIEW

OOA	5-17-13	TKW	PBD		SEE SHEET 1 OF 5 FOR REVISIONS	13V368ZC-DC
REV	DATE	BY	CHK	APR	DESCRIPTION	ECN

TITLE ENTERPRISE SERVER CONFIGURED CABINET 600mm WIDE x 1070mm DEEP FAMILY CUSTOMER DRAWING			
ITEM REVISION NAME 13V368ZC/00.PRT		PANDUIT TM	
DATASET FILE NAME 13V368ZC_DC/00A.PRT			
UNLESS OTHERWISE SPECIFIED, DIMENSIONAL TOLERANCES ARE:			
INCHES	METRIC - MILLIMETER	ANGLE	
X.X +/- 0.03	X. +/- 0.8	+/- 1°	
X.XX +/- 0.018	X.X +/- 0.46		
X.XXX +/- 0.007	X.XX +/- 0.18		
		MATERIAL/COLOR: N/A	
		DRAWING NUMBER: 13V368ZC-DC	
DRAWN BY TKW	DATE 5-17-13	CHK PBD	SCALE NONE
		SHT 4 OF 5	
		SIZE A	

THIS COPY IS PROVIDED ON A RESTRICTED BASIS AND IS NOT TO BE USED IN ANY WAY DETRIMENTAL TO THE INTERESTS OF PANDUIT CORP.



LEVELING LEGS SPACING
SOME PARTS REMOVED FOR CLARITY

REAR OF CABINET
BOTTOM VIEW

						TITLE ENTERPRISE SERVER CONFIGURED CABINET 600mm WIDE x 1070mm DEEP FAMILY																			
						CUSTOMER DRAWING																			
						ITEM REVISION NAME 13V368ZC/00.PRT																			
						DATASET FILE NAME 13V368ZC_DC/00A.PRT																			
						UNLESS OTHERWISE SPECIFIED, DIMENSIONAL TOLERANCES ARE:																			
						<table border="1"> <tr> <td>INCHES</td> <td></td> <td>METRIC - MILLIMETER</td> <td>ANGLE</td> </tr> <tr> <td>X.X</td> <td>+/- 0.03</td> <td>X.</td> <td>+/- 0.8</td> </tr> <tr> <td>X.XX</td> <td>+/- 0.018</td> <td>X.X</td> <td>+/- 0.46</td> </tr> <tr> <td>X.XXX</td> <td>+/- 0.007</td> <td>X.XX</td> <td>+/- 0.18</td> </tr> </table>				INCHES		METRIC - MILLIMETER	ANGLE	X.X	+/- 0.03	X.	+/- 0.8	X.XX	+/- 0.018	X.X	+/- 0.46	X.XXX	+/- 0.007	X.XX	+/- 0.18
INCHES		METRIC - MILLIMETER	ANGLE																						
X.X	+/- 0.03	X.	+/- 0.8																						
X.XX	+/- 0.018	X.X	+/- 0.46																						
X.XXX	+/- 0.007	X.XX	+/- 0.18																						
						MATERIAL/COLOR: N/A																			
						DRAWING NUMBER: 13V368ZC-DC																			
OOA	5-17-13	TKW	PBD	SEE SHEET 1 OF 5 FOR REVISIONS		13V368ZC-DC																			
REV	DATE	BY	CHK	APR	DESCRIPTION	ECN	DRAWN BY TKW	DATE 5-17-13	CHK PBD	SCALE NONE	SHT 5 OF 5	SIZE A													