

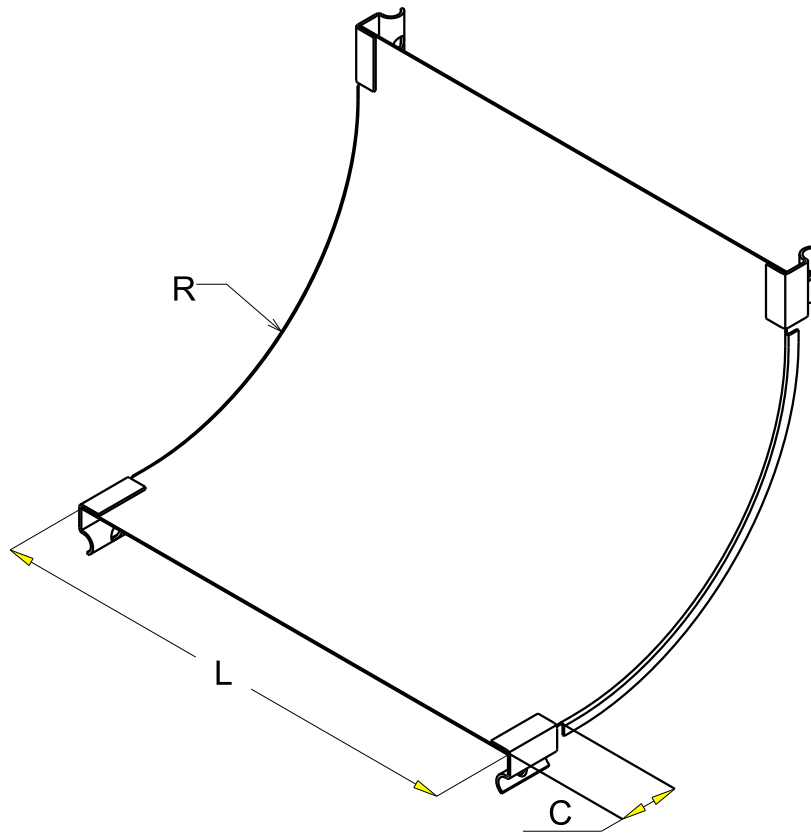
COUV CPL CONC P31 CIR 50 à 600
Cover for inside riser P31 50 to 600

GS
PG

legrand | CABLE
MANAGEMENT

FT0542-0

10 16



REF	HAUTEUR	CODE	L /L		A /A		C /C		R /R	
			(mm)	(inch)	(mm)	(inch)	(mm)	(inch)	(mm)	(inch)
P31 CIR 50	25 à 75	340 888	50	(1.97")	0.8	(0.032")	30	(1.18")	20	(0.79")
P31 CIR 75		340 889	75	(2.95")	0.8	(0.032")	30	(1.18")	100	(3.94")
P31 CIR 100		340 890	100	(3.94")	0.8	(0.032")	30	(1.18")	100	(3.94")
P31 CIR 150		340 891	150	(5.91")	0.8	(0.032")	30	(1.18")	100	(3.94")
P31 CIR 200		340 892	200	(7.87")	0.8	(0.032")	30	(1.18")	100	(3.94")
P31 CIR 300		340 893	300	(11.81")	1	(0.039")	30	(1.18")	100	(3.94")
P31 CIR 100	100	341 175	100	(3.94")	0.8	(0.032")	30	(1.18")	100	(3.94")
P31 CIR 150		341 176	150	(5.91")	0.8	(0.032")	30	(1.18")	100	(3.94")
P31 CIR 200		340 894	200	(7.87")	0.8	(0.032")	30	(1.18")	100	(3.94")
P31 CIR 300		340 895	300	(11.81")	1	(0.039")	30	(1.18")	100	(3.94")
P31 CIR 400	25 à 100	340 896	400	(15.75")	1	(0.039")	50	(1.97")	150	(5.91")
P31 CIR 500		340 897	500	(19.69")	1	(0.039")	50	(1.97")	150	(5.91")
P31 CIR 600	50 à 100	340 898	600	(23.62")	1	(0.039")	50	(1.97")	150	(5.91")

Material	Standard
DX 51 D Z 200 MAC	EN 10 346

Propriété exclusive de LEGRAND, ne peut être ni copié, ni transmis à des tiers sans autorisation écrite.

Exclusive property of LEGRAND shouldn't be reproduced or transmitted to any people without written authorization