

Part number

MKAXS VG20



Hood, EMC series, with 1 lever, M20 top cable entry, size "21.21"

Product description

Product type	Hood
Series	EMC
Closing type	With 1 lever
Size	Size "21.21"
Cable entry	Top cable entry M20

Technical data

IP degree of protection IP44 - IP66 / IP67 / IP69 with CKR 65 (D)

Further technical details

Weight	66,00 g
Operating temperature range (min, max)	-40°C...+125°C

Material properties

Main material	Zinc die-cast
Other materials	Lever: Stainless steel Gasket: Conductive elastomer
Colour	RAL 7040 grey
RoHs conformity	Compliant
China RoHs - EFUP	E
REACH SVHC substances	No

Approvals / Standards

Certifications	DNV, BV
UL	ECBT2
cUL	ECBT8

General ordering information

EAN13 code	8015747138444
eCl@ss 8.1	27440202
ETIM 7.0	EC000437

Packaging Information

Sub-packaging length	185,00 mm
Sub-packaging height	40,00 mm
Sub-packaging width	155,00 mm
Sub-packaging weight	0,66 kg
Sub-packaging volume	1,15 dm ³
Sub-packaging description	Carton box
Sub-packaging quantity	10 Pcs
Sub-packaging EAN barcode	8015747283359

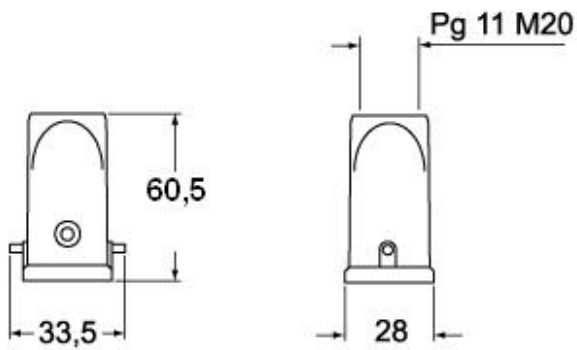
Part number

MKAXS VG20

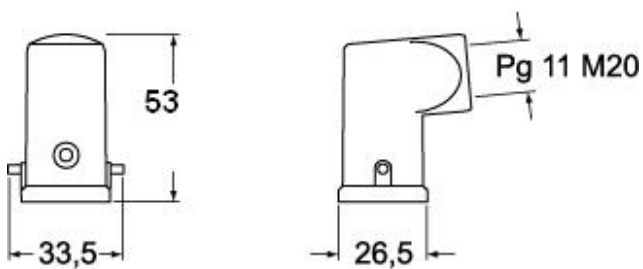


Catalogue drawings

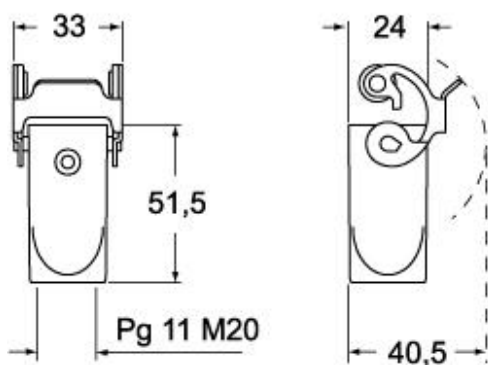
CKAS V - MKAS V



CKAS VA - MKAS VA



CKAXS VG - MKAXS VG



Notes

Dimensions shown in mm are not binding and may be changed without notice.