

LL3-DJ02

LL3

FIBERS

SICK
Sensor Intelligence.



Ordering information

Type	Part no.
LL3-DJ02	5325992

Other models and accessories → www.sick.com/LL3

Detailed technical data

Features

Device type	Fibers
Functional principle	Proximity system
For fiber-optic sensor	GLL170(T), WLL180, WLL24 Ex, WLL80
Fiber length	1,000 mm
Fiber material	Polymethylmethacrylat (PMMA)
Jacket material	Stainless steel
Fiber head material	Copper-zinc alloy (CuZn)
Outer diameter, fiber-optic cable connection	2.2 mm
Fiber-optic cable cuttable	✓
Thread diameter (housing)	M6
Fiber-optic head design	Threaded sleeve
Fiber arrangement	Multi-fiber – fiber bundle
Core structure	S: 9 x Ø 0,25 mm, R: 9 x Ø 0,25 mm Multi-fiber – fiber bundle
Angle of dispersion < 60°	No
Compatibility with infrared light (1,450 nm)	No
Highly flexible/elastic fibers (bend radius 1–4 mm)	No
Adapter end sleeves required	No
Angle of dispersion	60°
Integrated lens	No
Minimal object diameter	0.02 mm ¹⁾
Included with delivery	Mounting, 2 x M6 hexagon nut, 1 x washer
Compatibility tip adapters	No

¹⁾ Minimum detectable object was determined at optimum measuring distance and optimum setting.

Mechanics/electronics

Bend radius, fibre-optic cable	10 mm
Ambient operating temperature	-40 °C ... +70 °C

Classifications

ECLASS 5.0	27270905
ECLASS 5.1.4	27270905

ECLASS 6.0	27270905
ECLASS 6.2	27270905
ECLASS 7.0	27270905
ECLASS 8.0	27270905
ECLASS 8.1	27270905
ECLASS 9.0	27270905
ECLASS 10.0	27270905
ECLASS 11.0	27270905
ECLASS 12.0	27270905
ETIM 5.0	EC002651
ETIM 6.0	EC002651
ETIM 7.0	EC002651
ETIM 8.0	EC002651
UNSPSC 16.0901	39121528

Sensing ranges with WLL80

Operating mode 16 μs	70 mm
Operating mode 70 μs	195 mm
Operating mode 250 μs	365 mm
Operating mode 500 μs	440 mm
Operating mode 1 ms	485 mm
Operating mode 2 ms	610 mm
Operating mode 8 ms	890 mm

Sensing ranges with WLL180T

Operating mode 16 μs	38 mm
Operating mode 70 μs	120 mm
Operating mode 250 μs	230 mm
Operating mode 2 ms	460 mm
Operating mode 8 ms	490 mm
Note	Sensing ranges related to fiber-optic sensors with type of light: visible red light

Sensing ranges with GLL170

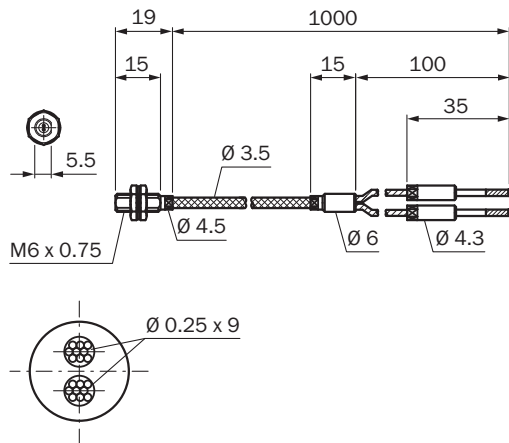
Operating mode 250 μs	150 mm
---	--------

Sensing ranges with GLL170T

Operating mode 50 μs	80 mm
Operating mode 250 μs	160 mm


Dimensional drawing (Dimensions in mm (inch))

LL3-DJ02



Recommended accessories

Other models and accessories → www.sick.com/LL3

	Brief description	Type	Part no.
Device protection (mechanical)			
	Metal protection hose for LL3-Fibers with M6 threaded head; length 1000 mm, stainless steel, 1 pieces	BEF-LL3M61000	5331291
	Metal protection hose for LL3-Fibers with M6 threaded head; length 500 mm, stainless steel, 1 pieces	BEF-LL3M6500	5331290

SICK AT A GLANCE

SICK is one of the leading manufacturers of intelligent sensors and sensor solutions for industrial applications. A unique range of products and services creates the perfect basis for controlling processes securely and efficiently, protecting individuals from accidents and preventing damage to the environment.

We have extensive experience in a wide range of industries and understand their processes and requirements. With intelligent sensors, we can deliver exactly what our customers need. In application centers in Europe, Asia and North America, system solutions are tested and optimized in accordance with customer specifications. All this makes us a reliable supplier and development partner.

Comprehensive services complete our offering: SICK LifeTime Services provide support throughout the machine life cycle and ensure safety and productivity.

For us, that is “Sensor Intelligence.”

WORLDWIDE PRESENCE:

Contacts and other locations –www.sick.com