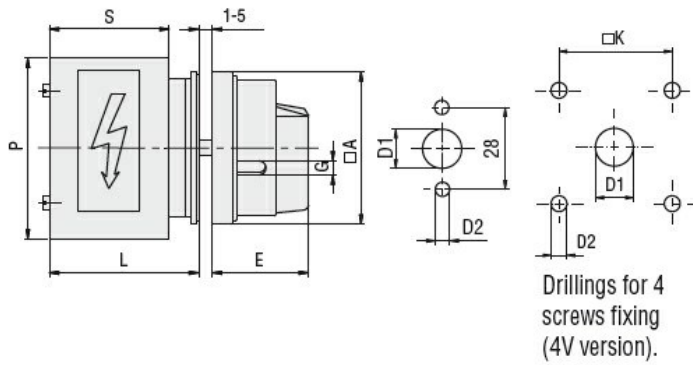


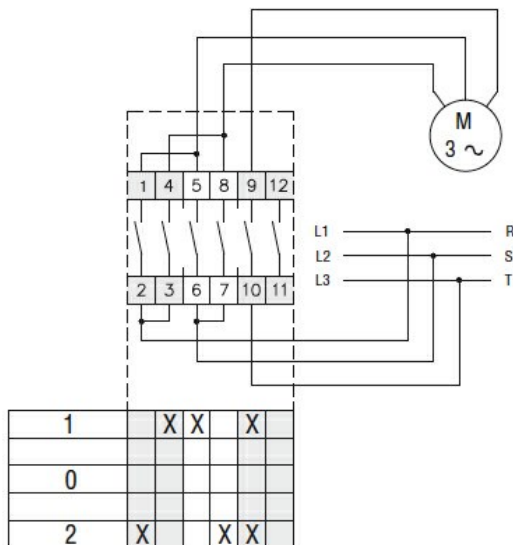
Product designation				Rotary cam switches
Product type designation				GF20
General characteristics				
Switching diagram				11 - 3-phase motor reversing switch
N° of elements				3
Mounting form				U25 - Front mounting with red/yellow handle padlockable in 0 and protection covers
Contact characteristics				
Rated insulation voltage U_i	IEC/EN	V	480	
	UL/CSA	V	240	
Rated impulse withstand voltage U_{imp}		kV	4	
Conventional free air thermal current I_{th}	IEC/EN	A	20	
	UL/CSA	A	15	
Rated operational voltage		V	480	
Rated operational impulse voltage		kV	4	
Maximum fuse size for short-circuit protection I_n (gG)	10kA	A	20	
	15kA	A	20	
	25kA	A	20	
Rated short time current I_{cw}	1s	A	250	
Conductivity				10/5 mA/V
Operational current I_e IEC/EN				
AC1/AC21A		A	20	
AC15	110V	A	10	
	220/230V	A	8	
	380/400V	A	6	
Rated operational power in AC				
Three-phase AC-3	220/230V	kW	3	
	380/440V	kW	5	
Single-phase AC-3	110V	kW	0.5	
	220/230V	kW	1.5	
	380/440V	kW	2	
Three-phase AC23A	220/230V	kW	4	
	380/440V	kW	7.5	
Single-phase AC23A	110V	kW	0.75	
	220/230V	kW	2	
	380/440V	kW	2.5	
Rated operational current in DC				

DC21A				
	48V	A		20
	60V	A		20
	110V	A		4
	220V	A		0.7
	440V	A		0.2
DC13				
	24V	A		6
	48V	A		6
	60V	A		3
	110V	A		1
	220V	A		0.4
	440V	A		0.15
Power dissipation			W	0.8
Mechanical features				
Terminals screw				M3
Tightening torque for terminals max			Nm	0.5
Conductor size				
AWG - Rigid cable				
	min	AWG		20
	Max	AWG		12
AWG - Flexible cable				
	min	AWG		20
	Max	AWG		12
Conductor size (IEC) - Flexible cable				
	min	mm ²		0.5
	Max	mm ²		2.5
Conductor size (IEC) - Rigid cable				
	min	mm ²		0.5
	Max	mm ²		2.5
Mechanical life			cycles	1x10 ⁶
UL technical data				
Motor power for direct-on-line control				
for three-phase motor				
	240V	HP		3
for single-phase motor				
	240V	HP		1
Ambient conditions				
Temperature				
Operating temperature				
	min	°C		-25
	max	°C		+55
Storage temperature				
	min	°C		-40
	max	°C		+70
Resistance & Protection				
Frontal IP degree				IP40
Terminals IP degree				IP20
Dimensions				



Series	Dimensions						L			
	□A	D1	D2	E	G	□K	1	2	3...12	
GF20	48	12	5	34.2	5	36	44	57.5	71	192.5

Wiring diagrams



Certifications and compliance

Compliance

CSA C22.2 n° 14
IEC/EN/BS 60947-1
IEC/EN/BS 60947-3
IEC/EN/BS 60947-5-1
UL60947-4-1

Certificates

cULus
EAC

ETIM classification

ETIM 8.0

EC001029 -
Selector switch,
complete