



Diesel engine fire pump controller, supply 12-24VDC, built-in RS485, not expandable FFL...DP

Product designation

Product type designation

Auxiliary supply

Rated auxil. supply voltage 12/24VDC

Operating auxil. supply voltage range 7.5...33VDC

Voltage inputs

Rated voltage U_s

min	VAC	100
Max	VAC	250

Measurement range V 50...264

Frequency range Hz 45...65

Engine running input (D+) for pre-excited alternator

Operating range VDC 0...33VDC

Maximum input current mA 0.5mA

Max voltage at D+ terminal VDC 12 or 24 VDC (battery voltage)

Pre-excitation current 210mA at 12VDC / 130mA at 24VDC

Engine speed input (pick-up/W input)

Input type AC coupling

Minimum reading frequency voltage

High sensitivity	$\geq 2.8V_{pp}$ ($1V_{rms}$) at 40Hz $\geq 10V_{pp}$ ($3.5V_{rms}$) at 20000Hz
Low sensitivity	$\geq 3.7V_{pp}$ ($1.3V_{rms}$) at 40Hz $\geq 7V_{pp}$ ($2.5V_{rms}$) at 2000Hz

Measuring input impedance $> 100k\Omega$

Max input voltage 84Vpp (30Vrms)

Pinion input

Voltage range 0...33VDC

Input current $\leq 8mA$

Threshold adjustable

Input delay adjustable

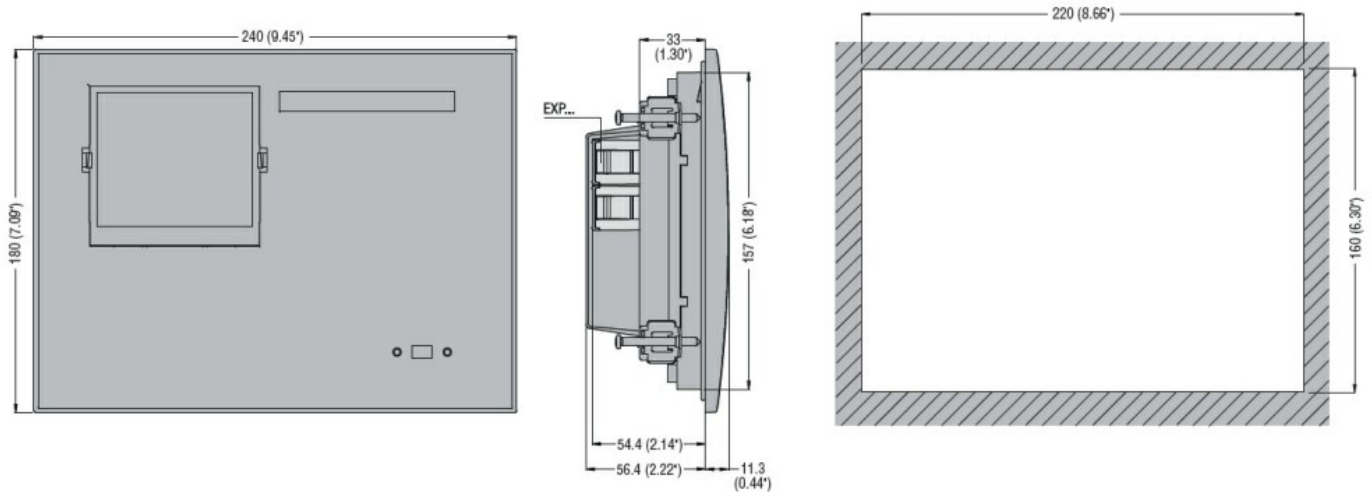
NTC probe input

Sensor type NTC (LOVATO code NTC01)

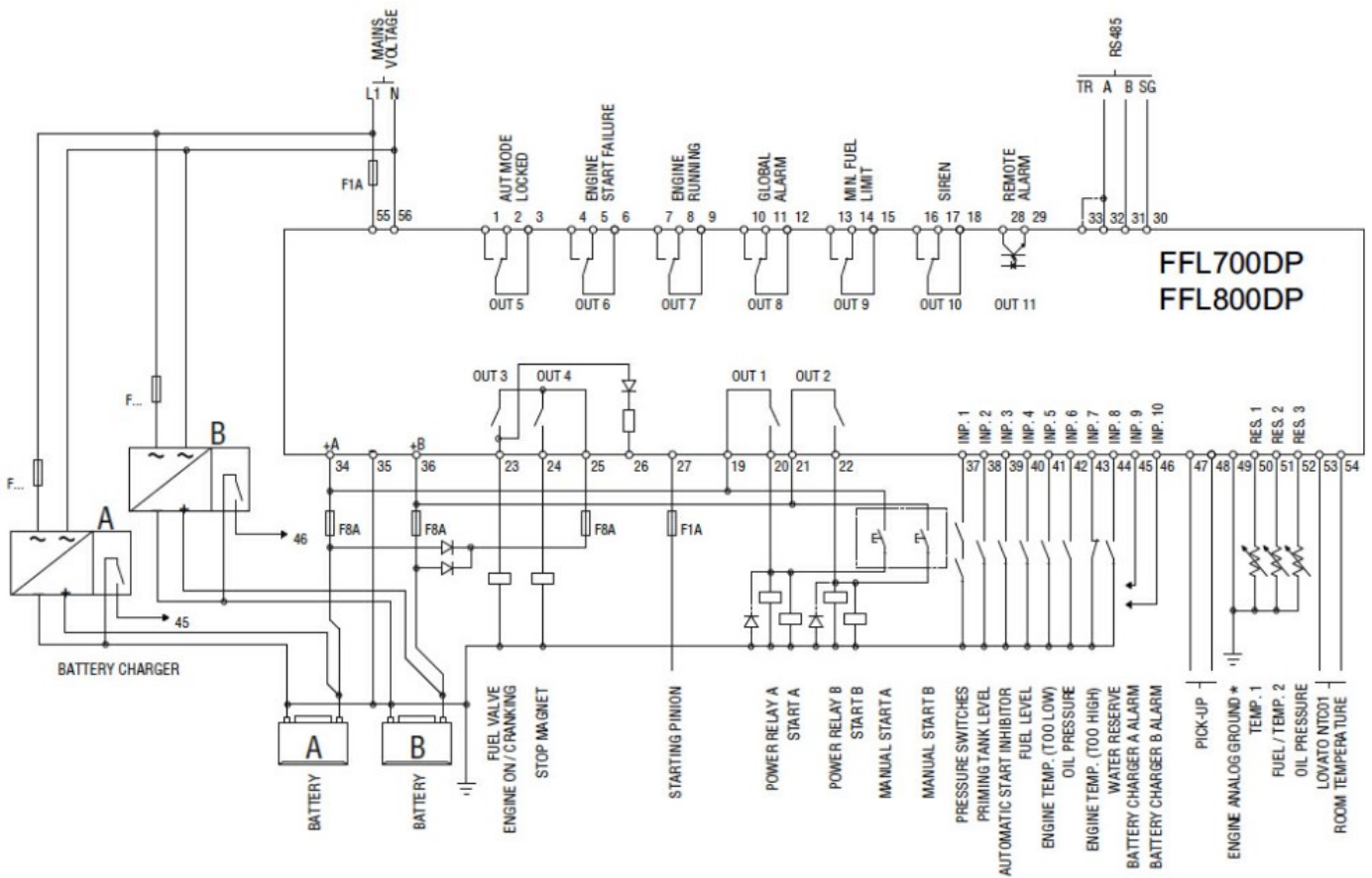
Measuring range $^{\circ}C$ -40...+85

Maximum connection length		mt	3m
Digital inputs			
Number of digital input		Nr.	10
Digital input type			Negative
Digital input current		mA	≤6
High digital input signal		V	≥4.9V (typical 3.8V)
Low digital input signal		V	≤1.25V (typical 1.9V)
Digital input signal delay		ms	≥50
Relay outputs			
Number of relay output		Nr.	10
Mechanical endurance			10 ⁷
Electrical endurance			10 ⁵
Static Outputs			
Number of static output			1 (OUT11)
Static output type			NO
Operating voltage		V	10...30VDC
Maximum current		mA	50mA
RS485 serial interface			
Interface type			Isolated RS485 serial interface
Baud rate		bps	1200...115200
Insulation voltage (RS485-Vbatt)			1kVDC
Connections			
Type of terminal			Removable screw-type
Conductor cross section			
	AWG/Kcmil		
		min	AWG 24
		Max	AWG 12
	IEC		
		min	mm ² 0.2
		Max	mm ² 2.5
Tightening torque for terminals		max	Nm 0.56
		max	Ibin 5
Ambient conditions			
Temperature			
	Operating temperature		
		min	°C -25
		max	°C +70
	Storage temperature		
		min	°C -30
		max	°C +80
Relative humidity		%	<80% (IEC/EN 60068-2-78)
Housing			
Execution			Flush-mount
Material			Polycarbonate
Degree of protection			IP65 Frontal; IP20 on terminals
Dimensions (W x H x D)		mm	240 x 180 x 43.9
Weight		g	980

Dimensions



Wiring diagrams



Certifications and compliance

Compliance

- IEC/EN 61000-6-2
- IEC/EN 61000-6-3
- IEC/EN 61010-1
- IEC/EN 61010-2-030
- UNI EN 12845

Certificates

/

ETIM classification

ETIM 8.0

EC002685 -
Central fire alarm
control panel