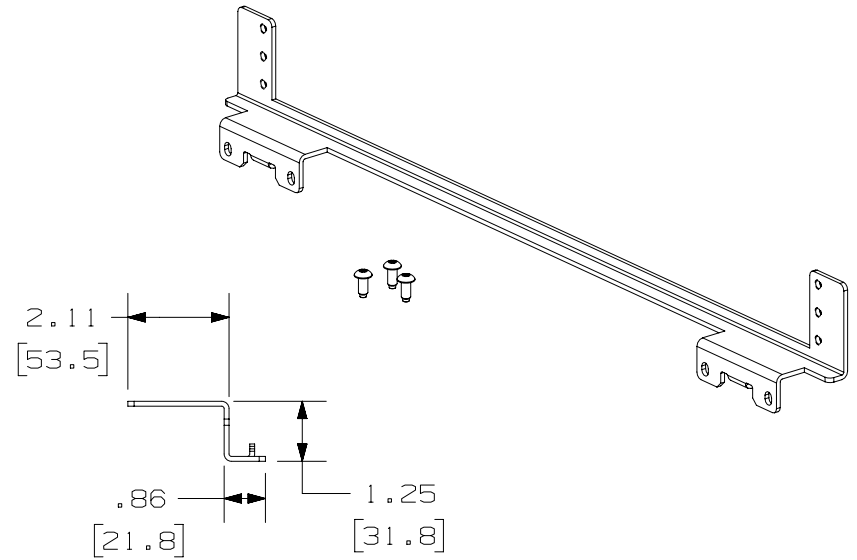
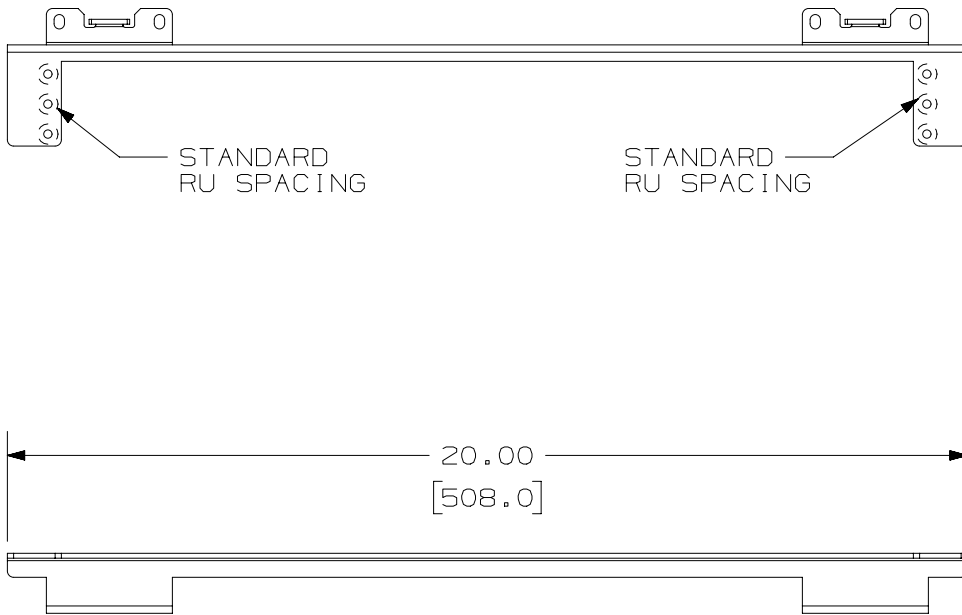


THIS COPY IS PROVIDED ON A RESTRICTED BASIS AND IS NOT TO BE USED IN ANY WAY DETRIMENTAL TO THE INTERESTS OF PANDUIT CORP.

NOTES:

1. VISIT OUR ON-LINE CATALOG AT WWW.PANDUIT.COM FOR A LIST OF CURRENT PARTS APPLICABLE FOR USE WITH THIS PRODUCT.
2. DIMENSIONS IN [] ARE METRIC.
3. ALL MATERIALS AND COMPONENTS USED MEET THE MATERIAL RESTRICTIONS OF RoHS (EUROPEAN DIRECTIVE 2011/65/EU ON THE RESTRICTION OF HAZARDOUS SUBSTANCES) AS PROPOSED BY THE RoHS TECHNICAL ADAPTATION COMMITTEE.
4. WEIGHT: 1 LB [0.45 kg]
5. PART INCLUDES:
 1 - ZERO RU BRACKET
 3 - M5 X 12mm BUTTON HEAD SCREWS



PART NUMBER		WME0UB		
TITLE		WME ZERO RU BRACKET		
		CUSTOMER DRAWING		
ITEM REVISION NAME		00490EAD/00		
DATASET FILE NAME		00490EAD_DC/00A		
		THIRD ANGLE PROJECTION		
MATERIAL		STEEL		
		DRAWING NUMBER		
		00490EAD-DC		
REV	DATE	BY	CHK	APR
00A	5-19-20	TWV	KZU	BETL
DESCRIPTION		RELEASED TO PRODUCTION		
ECN		M09000L0		
DRAWN BY		DATE	CHK	SCALE
TWV		5-19-20	KZU	1:2
SHEET 1 OF 1		A		

A-SIZE CUSTOMER

2

1

2

1