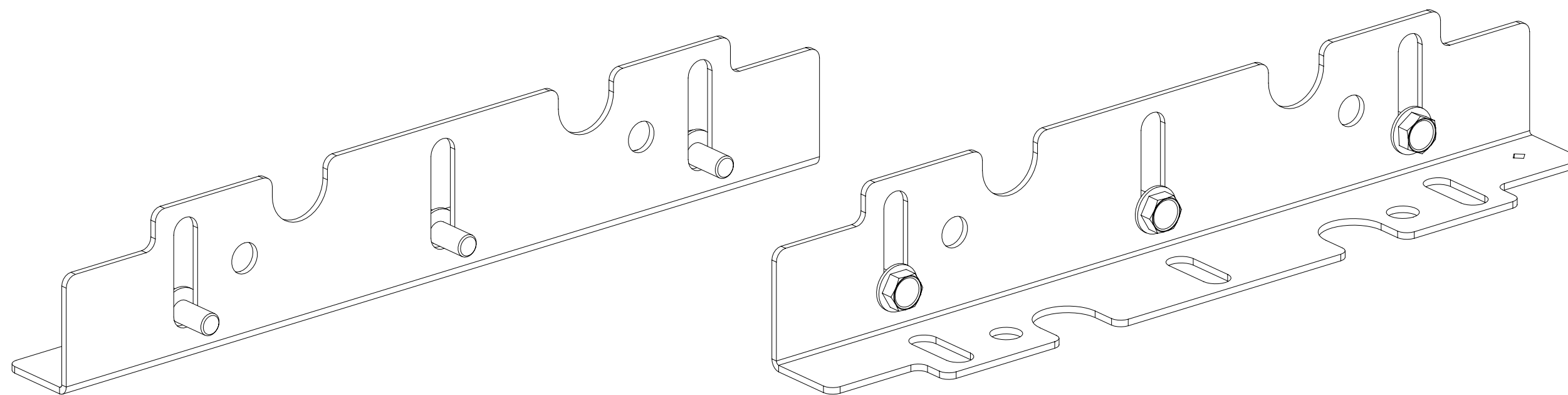


1. PART NAME: SMB-KIT
2. DESCRIPTION: SERVER CABINET FLOOR MOUNTING BRACKET KIT
3. ATTACH THE BRACKETS TO THE FLOOR WITH APPROPRIATE HARDWARE FOR YOUR TYPE OF FLOOR
4. RoHS COMPLIANT
5. KIT WILL SHIP WITH THE FOLLOWING PARTS:  
 QTY-2: FLOOR MOUNTING BRACKETS  
 QTY-1: HARDWARE KIT
6. PACKAGED DIMENSIONS (in): 16.5 x 7.25 x 6  
 (cm): 41.9 x 18.4 x 15.2

PANDUIT PART NUMBER	WEIGHT
SMB-KIT	2.3kg (5Lbs)



REV	DATE	BY	CHK	APR	DESCRIPTION	ECN	TITLE	DRAWN BY	DATE	CHK	SCALE	DRAWING NUMBER	SIZE
00A	4/21/15	MCIS			RELEASED TO CUSTOMER	V09000HZ	SMB-KIT SERVER CABINET FLOOR MOUNTING BRACKET KIT CUSTOMER DRAWING ITEM REVISION NAME: 14V430ER/00 DATASET FILE NAME: 14V430ER-DC/00A UNLESS OTHERWISE SPECIFIED, DIMENSIONAL TOLERANCES ARE: IN [mm] .x ± .1 [ 2.54 ]      .xxx ± .005 [ .127 ] .xx ± .01 [ .25 ]      ANGLES ± 5 ° THIRD ANGLE PROJECTION	MCIS	4/21/15		NA	14V430ER-DC	A3
												SHT 1 OF 1	

