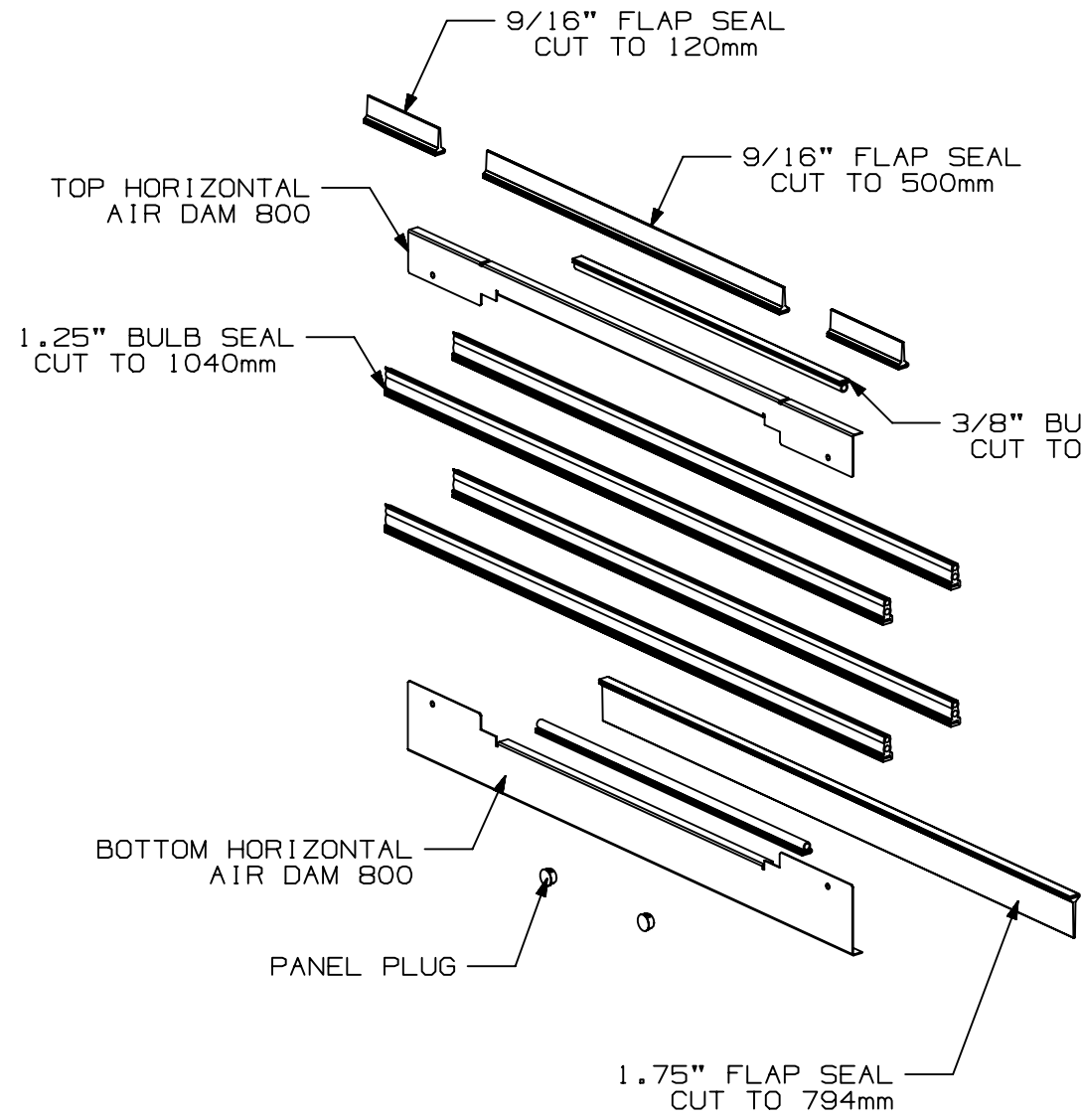


THIS COPY IS PROVIDED ON A RESTRICTED BASIS AND IS NOT TO BE USED IN ANY WAY DETRIMENTAL TO THE INTERESTS OF PANDUIT CORP.



- NOTES:
- VISIT OUR ON-LINE CATALOG AT [WWW.PANDUIT.COM](http://WWW.PANDUIT.COM) FOR A LIST OF CURRENT PARTS APPLICABLE FOR USE WITH THIS PRODUCT.
  - PRIMARY DIMENSIONS ARE IN MILLIMETERS.
  - PARTS SUPPLIED:
    - (1) TOP HORIZONTAL AIR DAM
    - (1) BOTTOM HORIZONTAL AIR DAM
    - (2) 9/16" FLAP SEAL CUT TO 120mm
    - (1) 9/16" FLAP SEAL CUT TO 500mm
    - (4) 1.25" BULB SEAL CUT TO 1040mm
    - (2) 3/8" BULB SEAL CUT TO 450mm
    - (1) 1.75" FLAP SEAL CUT TO 794mm
    - (2) PANEL PLUG
    - (4) M5 FLANGE HEX NUT (NOT SHOWN)
    - (1) INSTALLATION INSTRUCTIONS (NOT SHOWN)
  - ALL FLAP AND BULB SEALS ARE BLACK, REGARDLESS OF KIT COLOR, ONLY TOP HORIZONTAL AND BOTTOM HORIZONTAL AIR DAMS ARE PAINTED BLACK OR WHITE.

PANDUIT PART NO.	WEIGHT
XG-ADS8*	2.9 Kg 6.4 lbs

\* DENOTES COLOR  
ADD SUFFIX "B" FOR BLACK  
AND "W" FOR WHITE.

TITLE		<b>FLEXFUSION 800 AIR DAM SEAL KIT (XG-ADS8B &amp; XG-ADS8W)</b>	
		CUSTOMER DRAWING	
ITEM REVISION NAME		00460EIG/00	
DATASET FILE NAME		00460EIG_DC/00B	
		<b>PANDUIT</b>	
		MATERIAL:  N/A	
		DRAWING NUMBER: 00460EIG_DC	
		THIRD ANGLE PROJECTION	
DRAWN BY	DATE	CHK	SCALE
MEX-JAGC	2/22/21	EWSA	NONE
SHT 1 OF 2		A	

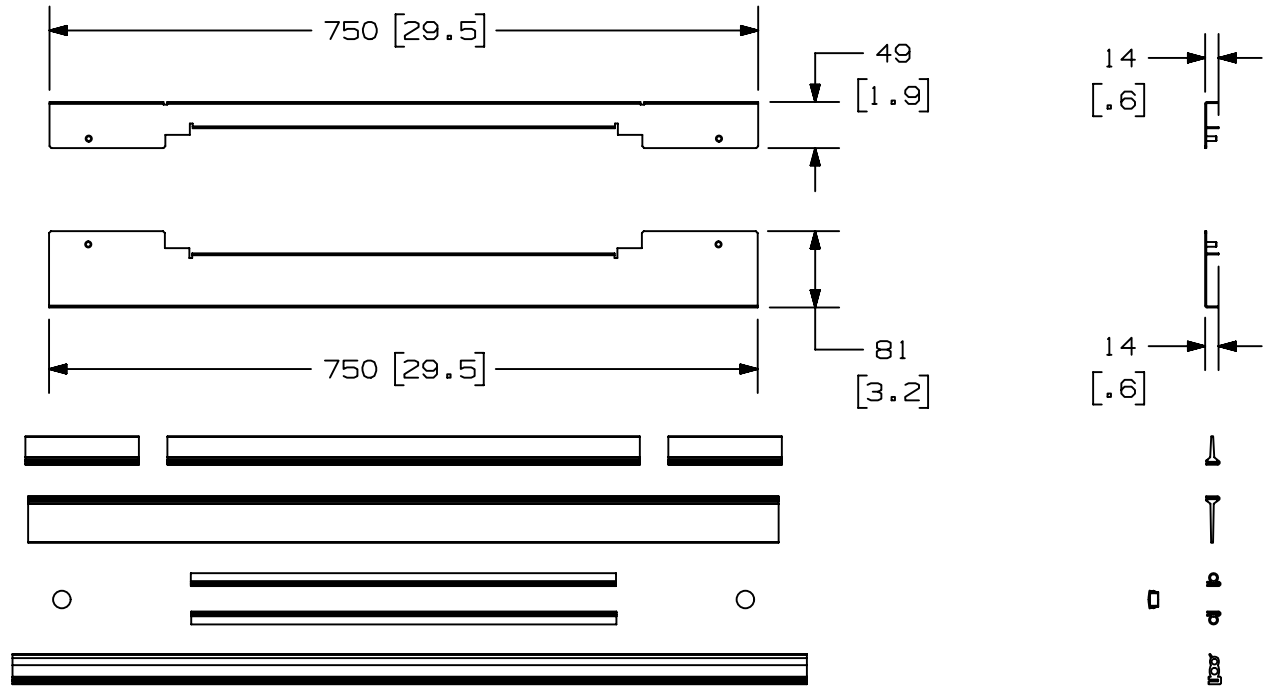
00B	6/15/21	MEX-JAGC	EWSA	ELE	DRAWING RELEASE	V09002EW/03
REV	DATE	BY	CHK	APR	DESCRIPTION	ECN

XGLOBAL\_ASIZE

2

1

THIS COPY IS PROVIDED ON A RESTRICTED BASIS AND IS NOT TO BE USED IN ANY WAY DETRIMENTAL TO THE INTERESTS OF PANDUIT CORP.



B

B

A

A

TITLE		FLEXFUSION 800 AIR DAM SEAL KIT (XG-ADS8B & XG-ADS8W)	
		CUSTOMER DRAWING	
ITEM REVISION NAME		00460EIG/00	
DATASET FILE NAME		00460EIG_DC/00B	
		MATERIAL:	
		N/A	
		DRAWING NUMBER:	
		00460EIG_DC	
DRAWN BY		DATE	CHK
MEX-JAGC		2/22/21	EWSA
		SCALE	NONE
		SHT 2 OF 2	
		SIZE	
		A	

00B	6/15/21	MEX-JAGC	EWSA	ELE	DRAWING RELEASE	V09002EW/03
REV	DATE	BY	CHK	APR	DESCRIPTION	ECN

2

1

GLOBAL\_SIZE