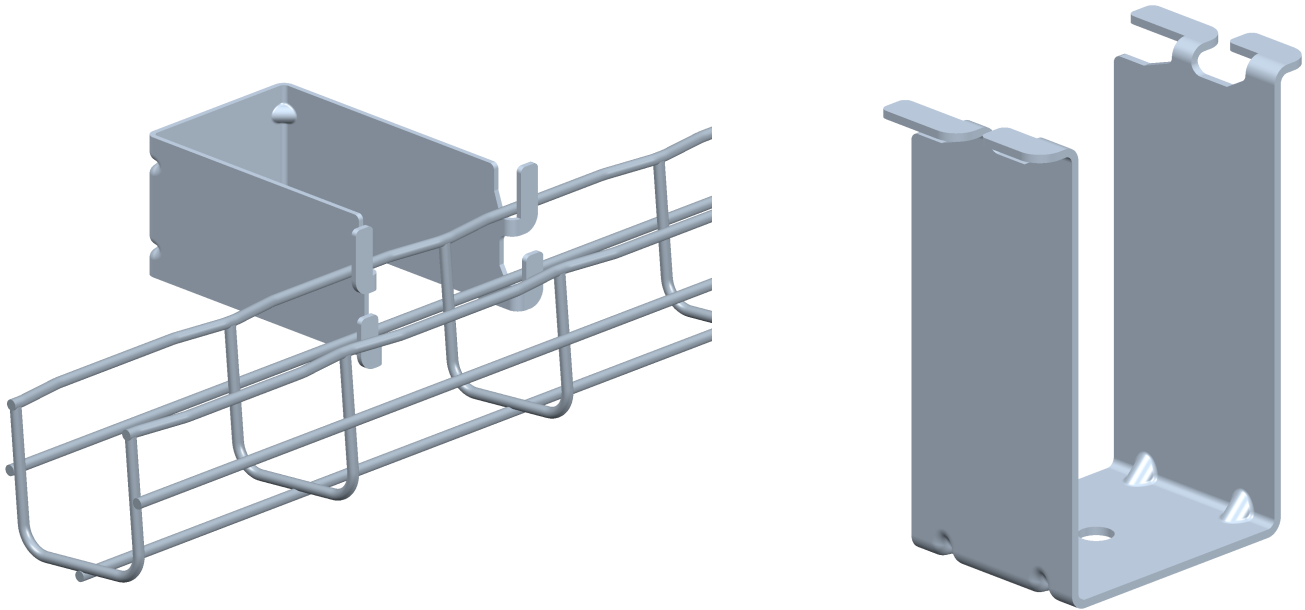
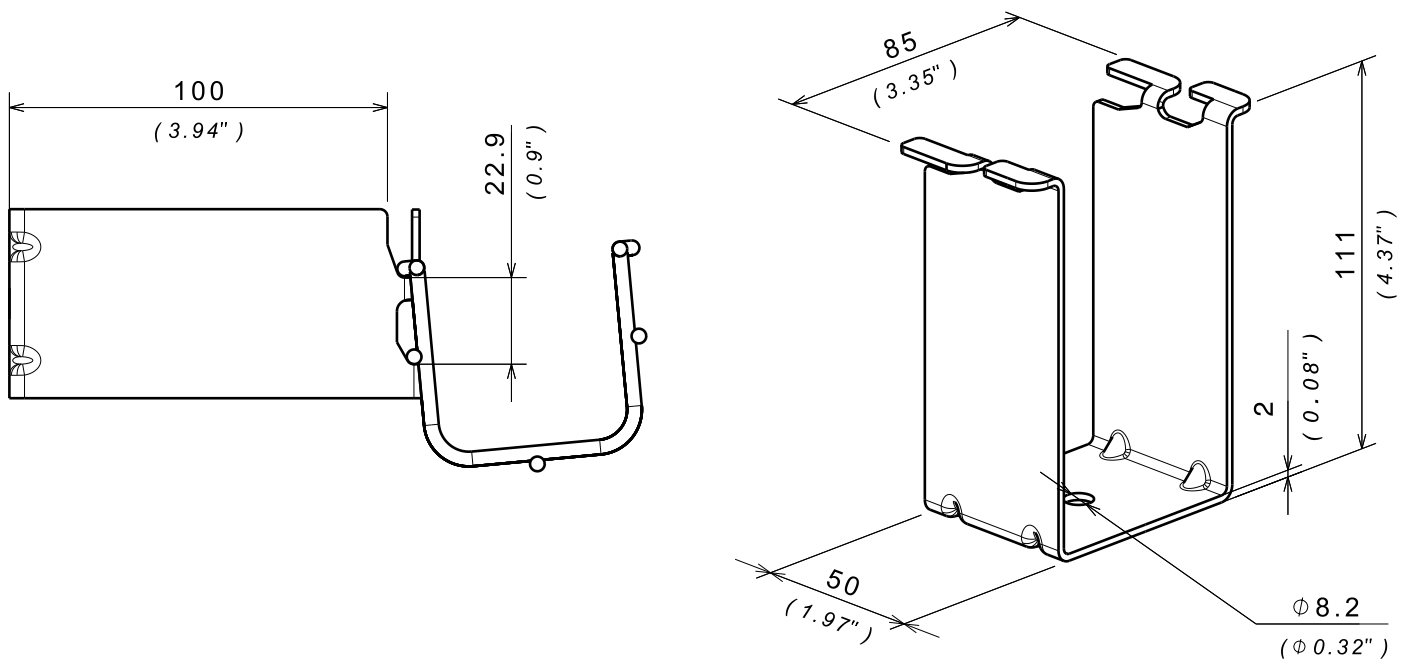


**CM100/25 FBH50 - CONSOLE AGROALIMENTAIRE**  
**CM100/25 FBH50 - FOOD BRACKET**

Reference(s) : 595 900 / 07


**1. GAMME / RANGE**

Designation	Code	Poids / Weight (Kg) (lb)		Epaisseur / Thickness (mm) (inch)		Matière / Material	Norme / Standard	Finition / Coating	Classe de résistance contre la corrosion / Class for resistance against corrosion
CM100/25 FBH50 ZnMg	595 907	0.220	0.485	2	0.079	DX51D ZM	EN 10 346	ZnMg	Class 8 / IEC 61537
CM100/25 FBH50 304L	595 900	0.225	0.496	2	0.079	X2 Cr Ni 18-9	EN 10 088-2	IN304L / SS304L	Class 9A / IEC 61537

**2. DIMENSIONS (mm/inch)**


**CM100/25 FBH50 - CONSOLE AGROALIMENTAIRE  
 CM100/25 FBH50 - FOOD BRACKET**

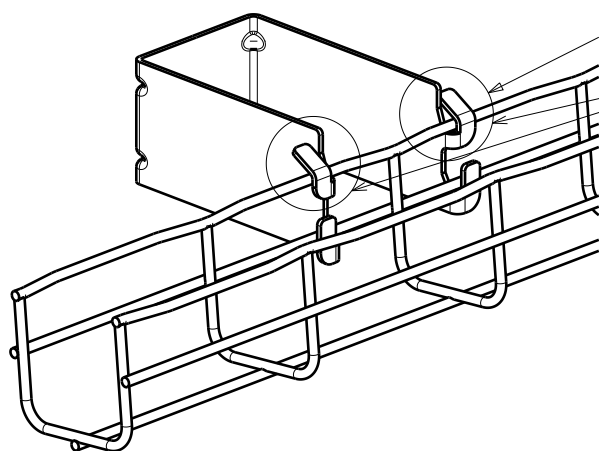
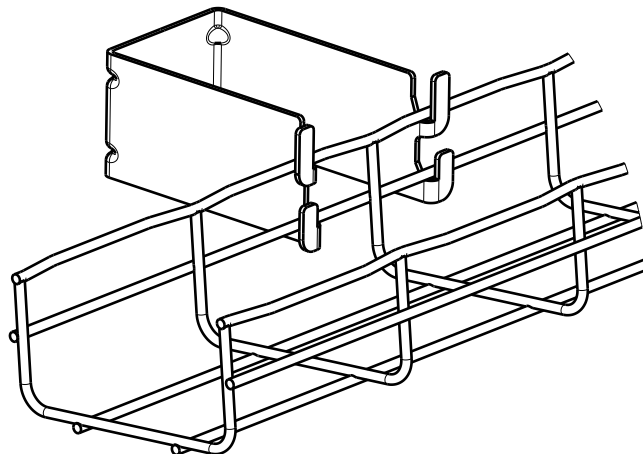
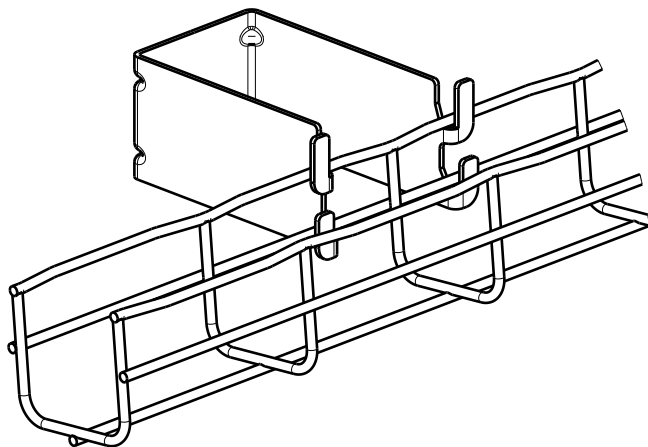
Reference(s) : 595 900 / 07

**3. INSTALLATION / MOUNTING**

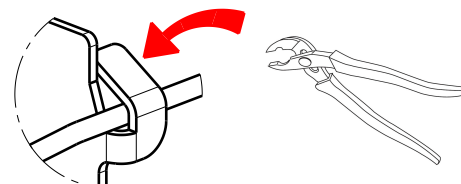

CF54/50



CF54/100



Verrouillage / Locking


**5. RECOMMANDATION / RECOMMENDATION**

portée / span ( m / inch )		nombre de support minimum / support number minimum	
		CF 54/50	CF 54/100
1	39.4	1	2
1.5	59.1	1	2
2	78.7	2	2