

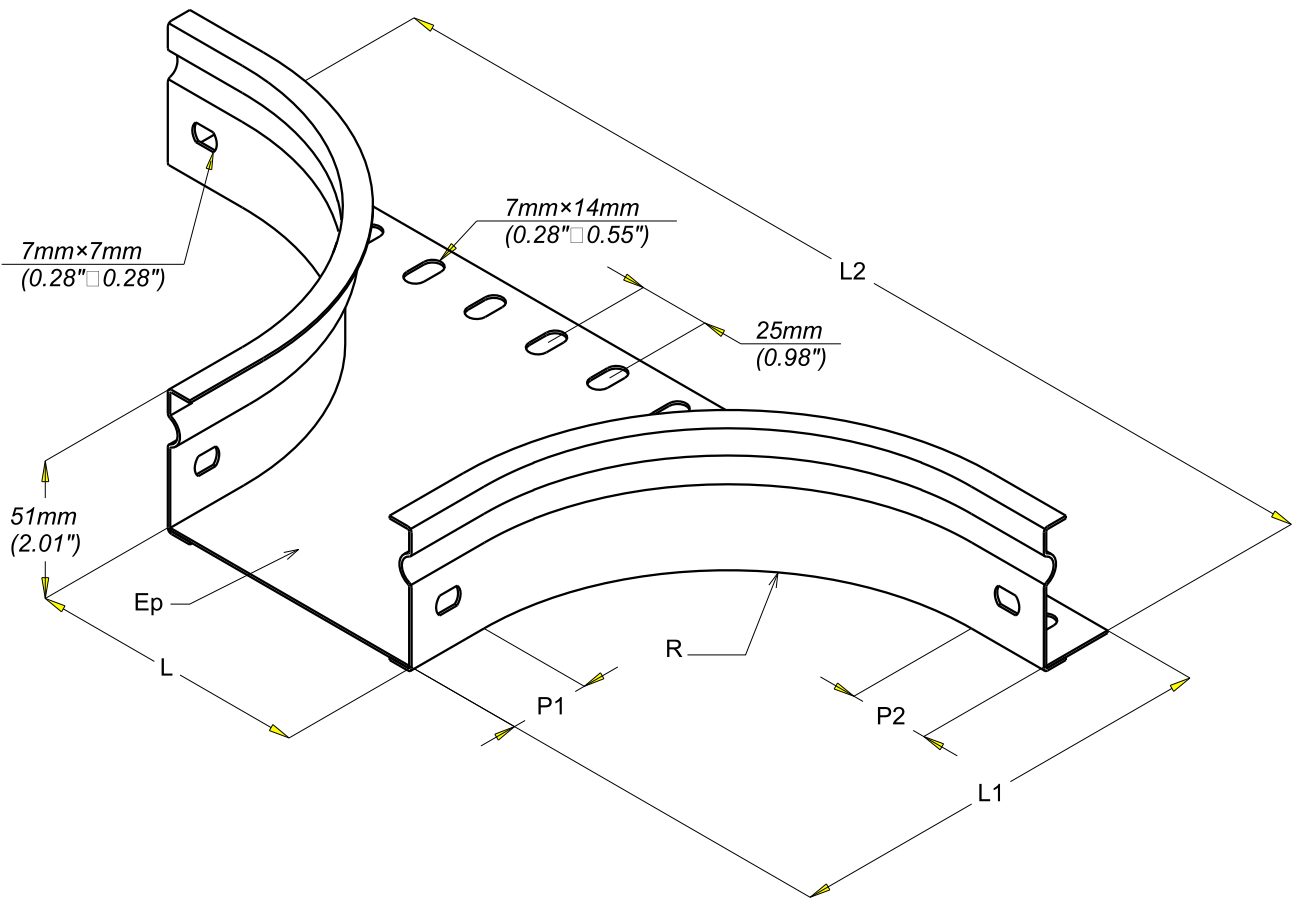
DERIVATION P31 B H50 50 à 600
Branch piece P31 50x50 to 600

GS
PG

legrand | CABLE
MANAGEMENT

FT0530-0

10 16



REF	CODE	L /L	Ep /Th	P1 /P1	P2 /P2	R /R	L1 /L1	L2 /L2
		(mm) (inch)	(mm) (inch)	(mm) (inch)	(mm) (inch)	(mm) (inch)	(mm) (inch)	(mm) (inch)
P31 B 50x50	340 129	50 (1.97")	0.8 (0.032")	31 (1.22")	31.25 (1.23")	20 (1.78")	76 (2.99")	149.5 (5.89")
P31 B 50x75	340 130	77 (3.03")	0.8 (0.032")	30 (1.18")	30 (1.18")	99 (3.90")	155 (6.10")	334.5 (13.17")
P31 B 50x100	340 131	100 (3.94")	0.8 (0.032")	30 (1.18")	30 (1.18")	99 (3.90")	155 (6.10")	357.5 (14.07")
P31 B 50x150	340 132	150 (5.91")	0.8 (0.032")	30 (1.18")	30 (1.18")	99 (3.90")	155 (6.10")	407.5 (16.04")
P31 B 50x200	340 133	200 (5.91")	0.8 (0.032")	30 (1.18")	30 (1.18")	99 (3.90")	155 (6.10")	457.5 (18.01")
P31 B 50x300	340 134	300 (7.87")	1 (0.039")	30 (1.18")	30 (1.18")	99 (3.90")	155 (6.10")	557.5 (21.95")
P31 B 50x400	340 136	400 (11.81")	1 (0.039")	51 (2.01")	49 (1.93")	149 (5.87")	226 (8.90")	795.5 (31.32")
P31 B 50x500	340 138	500 (19.69")	1 (0.039")	51 (2.01")	49 (1.93")	149 (5.87")	226 (8.90")	895.5 (35.26")
P31 B 50x600	350 510	600 (23.62")	1 (0.039")	51 (2.01")	49 (1.93")	149 (5.87")	226 (8.90")	995.5 (39.19")

Material	Standard
DX 51 D Z 200 MAC	EN 10 346

Propriété exclusive de LEGRAND, ne peut être ni copié, ni transmis à des tiers sans autorisation écrite.

Exclusive property of LEGRAND shouldn't be reproduced or transmitted to any people without written authorization