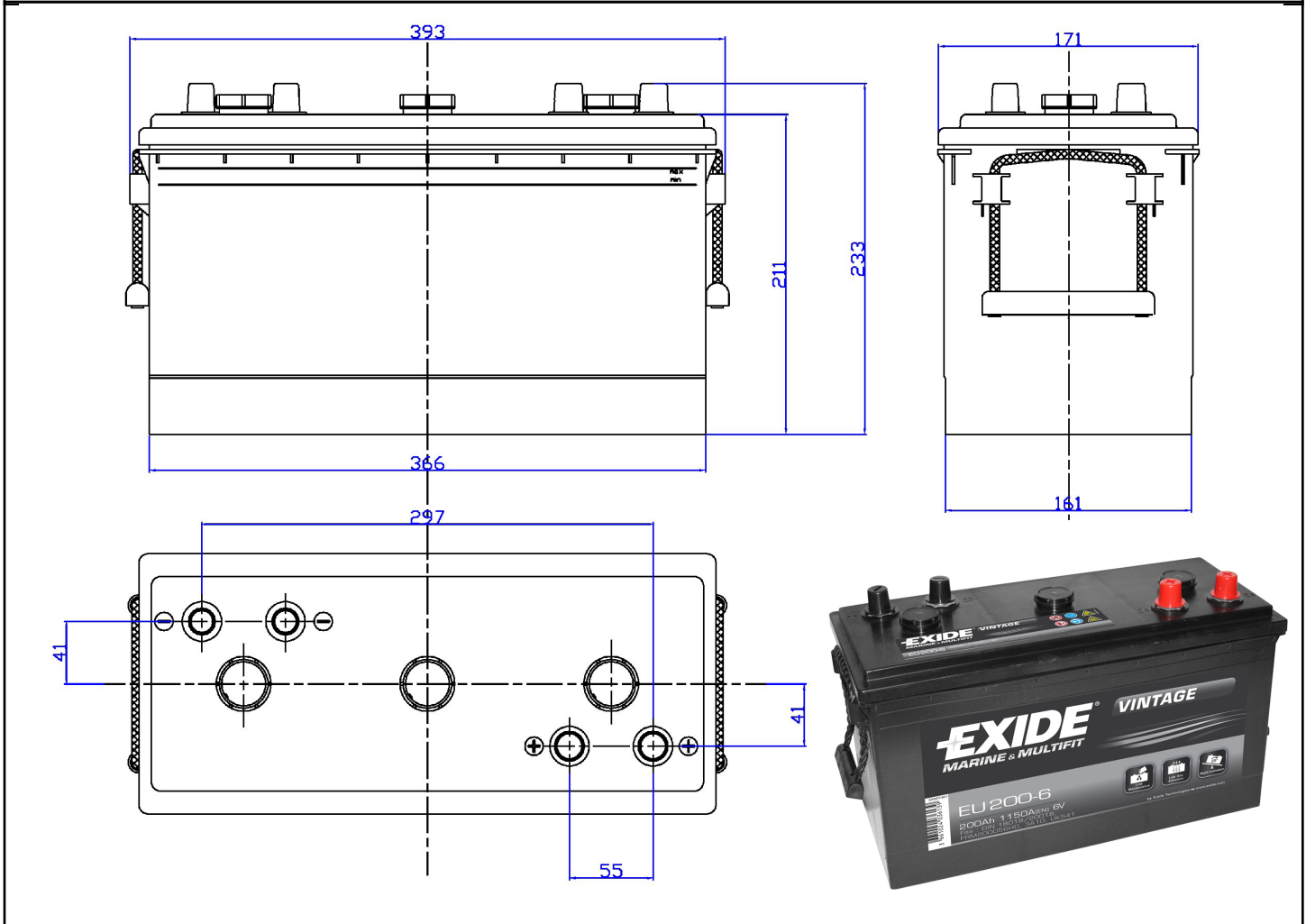


Central Article Code: M06115W01-A

ETN Code or Other: 916 001 000

Created: 07/09/2005

Modified: 18/07/2007



PERFORMANCES		CONTAINER	
Voltage (V):	6 V	Type:	M06 BLACK
C20 (Ah):	200.0 20 h	Hold Down:	B0
Rc (min):	0	H. D. Adapter:	No
Cranking (A):	1150 EN	COVER	
Vibration:	V3 (35Hz/6g/20h)	Type:	Flat/Screw BLACK
Endurance:	E2 (90 cycles@50%)	Polarity:	ETN 0
Charge:	WET	Terminals:	Twin EN taper posts
Technology:	Vented/Flooded	Terminal Adapter:	No
Grid :	Hybrid	SOCI:	No
WEIGHT AND STD. DIMENSIONS		Ventilation:	Independent
Battery Weight (kg):	27.80	Filter:	No
Volume acid (l):	7.32	Lateral Plug:	No
Length (mm):	398	PLUGS	
Width (mm):	174	Type:	3 x M27 BLACK
Height (mm):	234	HANDLES	
		Type:	2 x Rope (Flexible) BLACK
		OTHERS	
		Degassing Tube:	No