

Part number

PB 16102 PV



Mobile socket outlet, PLUSO series, 2 poles,
10 h (white), 16 A, 20 ÷ 50 V

Product description		Material properties	
Product type	Socket Mobile	Colour	RAL 7035 grey, RAL 9010 white
Series	PB...PV, PLUSO	RoHs conformity	Compliant with exemption 6(c): copper alloy containing up to 4% lead by weight
N. of poles	2 poles	China RoHs - EFUP	50
Clock position	10	REACH SVHC substances	Yes Lead
Technical data		SCIP number	Ca7de37f-add8-4b77-9861-279c94903ade
Current	16 A	Approvals / Standards	
Voltage	20 - 50 V	Reference standard	EN 60309-1 and -2
IP degree of protection	IP44	General ordering information	
Further technical details		EAN13 code	8015747061209
Weight	143,00 g	Packaging Information	
Operating temperature range (min, max)	-25°C ... +40°C	Packaging length	220,00 mm
		Packaging height	130,00 mm
		Packaging width	240,00 mm
		Sub-packaging weight	1,43 kg
		Sub-packaging description	Carton box
		Sub-packaging quantity	10 Pcs
		Sub-packaging EAN barcode	8015747061216

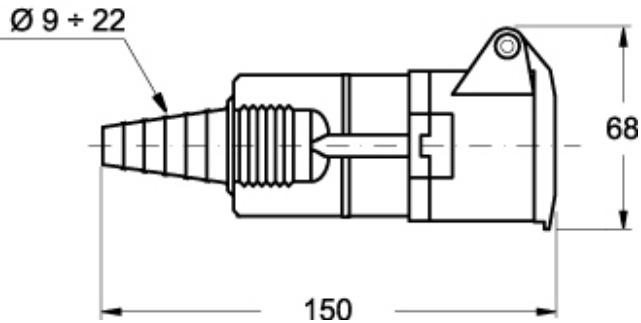
Part number

PB 16102 PV



Catalogue drawings

(16 / 32A) PB ... PV



Notes

Dimensions shown in mm are not binding and may be changed without notice.

- Compliant with EN 60309-1 and -2
- Enclosure, insert and spring lid in insulating, thermoplastic, self-extinguishing material
- RAL 7035 grey enclosure
- Spring lid colour coded according to the operating voltage and frequency
- Wall-mounting types PB...PP, top entry with threaded grommet (replaceable with cable gland)
- Flush-mounting types PB...PI, flange with anti-aging gasket
- Coupler types PB...PV, cable anchoring collar incorporated in the insert, entry with grommet
- Terminals with retained screws
- Nickel-plated contacts on request
- IP44 degree of protection (EN 60529)