

R2PPDUB

The R2PPDUB part contains the following components referred to in this instruction sheet:

- (2) Outer Mounting Brackets
- (2) Inner Mounting Brackets
- (12) #12-24 X 1/2" Screws

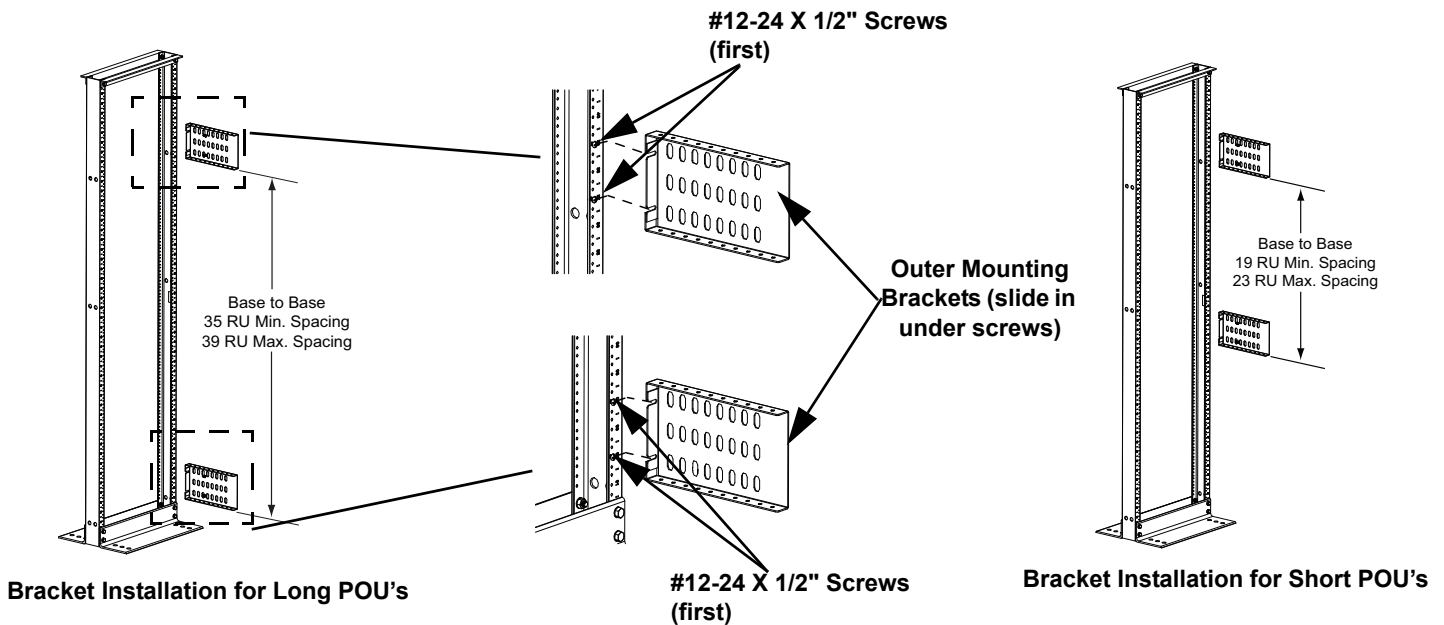
Installation Instructions-Outer Mounting Brackets

Attach (2) #12-24 X 1/2" screws to rack (per bracket) at appropriate locations.

Fasten outer mounting brackets to rack using the screws. The large flat surface with slotted holes may face outside or inside.

For mounting long (66.25") POU's, the brackets may be spaced vertically between 35 and 39 RUs apart, in 1 RU increments, measured from bracket base to bracket base.

For mounting short (39") POU's, the brackets may be spaced vertically between 19 and 23 RUs apart, in 1 RU increments, measured from bracket base to bracket base.



Bracket Installation for Long POU's

#12-24 X 1/2" Screws (first)

Bracket Installation for Short POU's

Installation Instructions-Inner Mounting Brackets

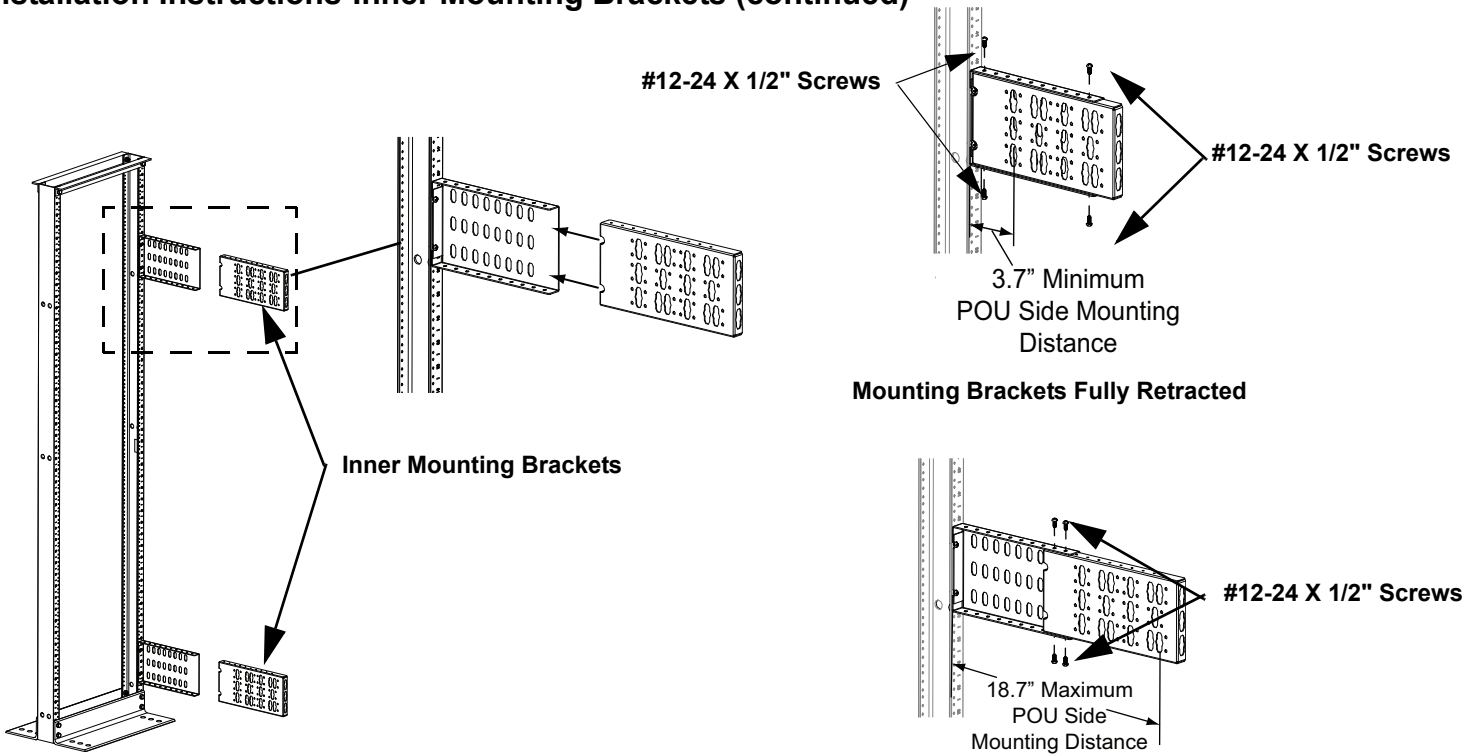
Slide inner mounting brackets into outer mounting brackets with the POU mounting keyway surface facing opposite the outer bracket slotted hole surface. Fasten brackets together using (4) #12-24 X 1/2" screws for each bracket set. (2) screws will be fastened on the top flange and (2) screws will be fastened on the bottom flange.

Important: (2) screws must be fastened in the most **outward** hole on each **outer** mounting bracket (1 top, 1 bottom). (2) screws must be fastened in the position where the hole in the **inner** mounting bracket is **closest** to the face of the rack, regardless of extended position.

Note: Multiple holes on the top and bottom of the brackets allow the distance from the rack a POU can be mounted to be adjustable. This means that the side facing POU can be mounted ranging from 3.7"-18.7" horizontally from the face of the rack. The rear facing POU can be mounted ranging from 12.3"-20.3" horizontally from the face of the rack.

See illustrations on Page 2

Installation Instructions-Inner Mounting Brackets (continued)

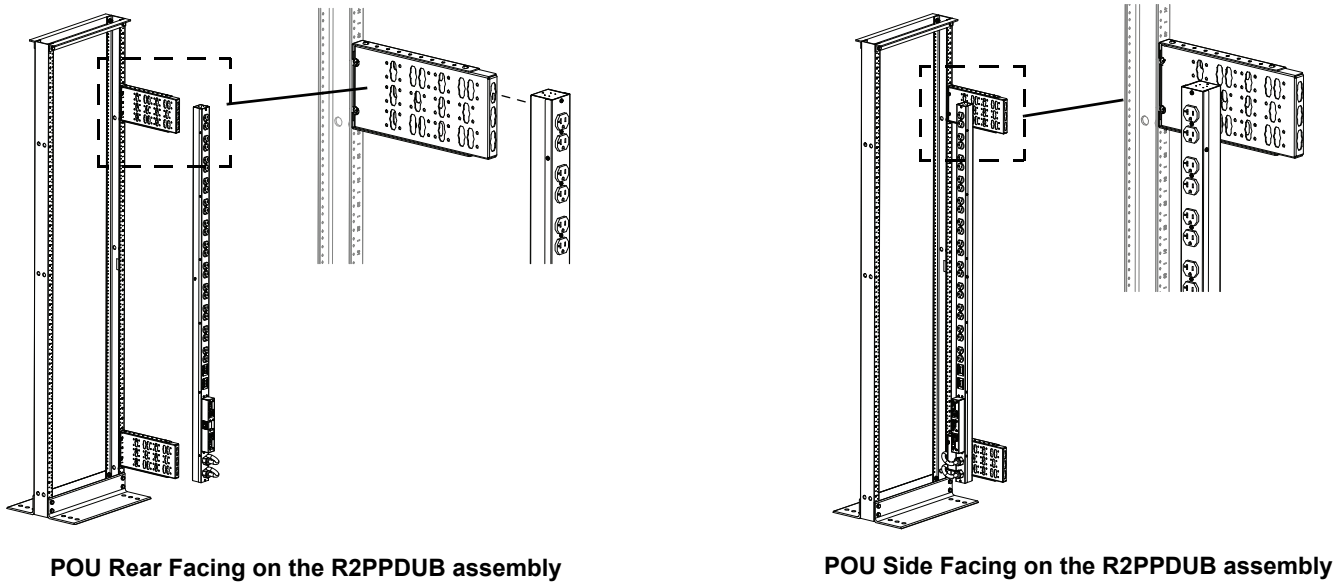


Note: No other rack equipment can be mounted in the same RU spaces that the POU Mounting Brackets occupy.

Installation Instructions-Installing Power Outlet Units (POU)

Install POU to the R2PPDUB by lining up the mounting buttons provided with the POU with the centers of 1 mounting keyhole on each of the bracket assemblies.

Note: POU's may be rear facing or side facing on the R2PPDUB assembly, but in no case should there be more than two (2) POU's mounted at the same time. The maximum load for POU's and cabling is 50 lbs.



<p>For Instructions in Local Languages and Technical Support: www.panduit.com/resources/install_maintain.asp</p>	<p>PANDUIT[®] www.panduit.com</p>	<p>E-mail: cs@panduit.com Fax: (708) 444-6448</p>
---	---	--