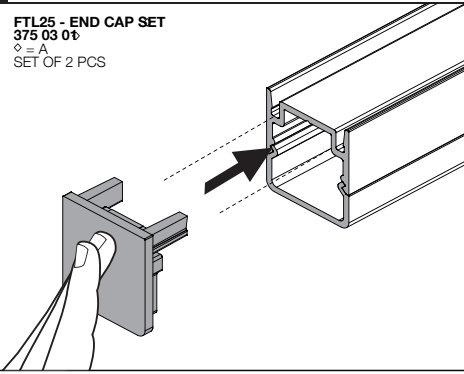
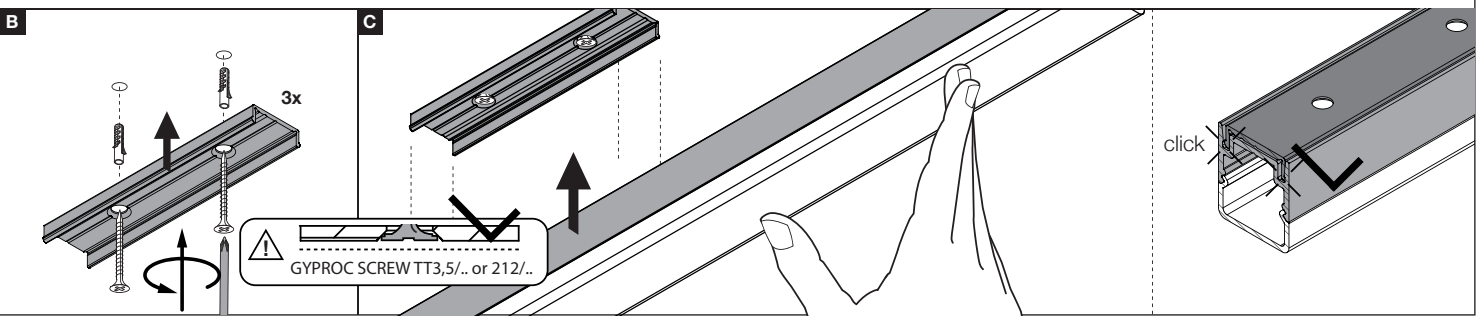
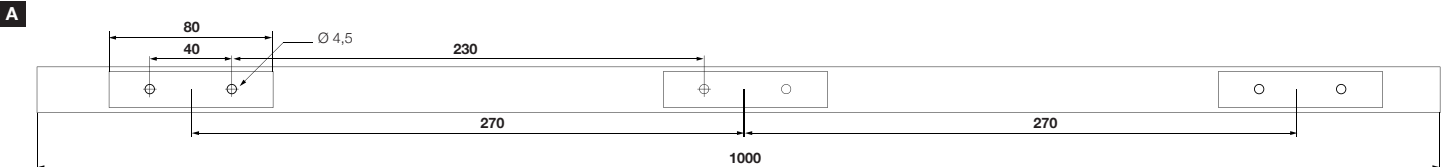


1 FTL25 - ENDCAP

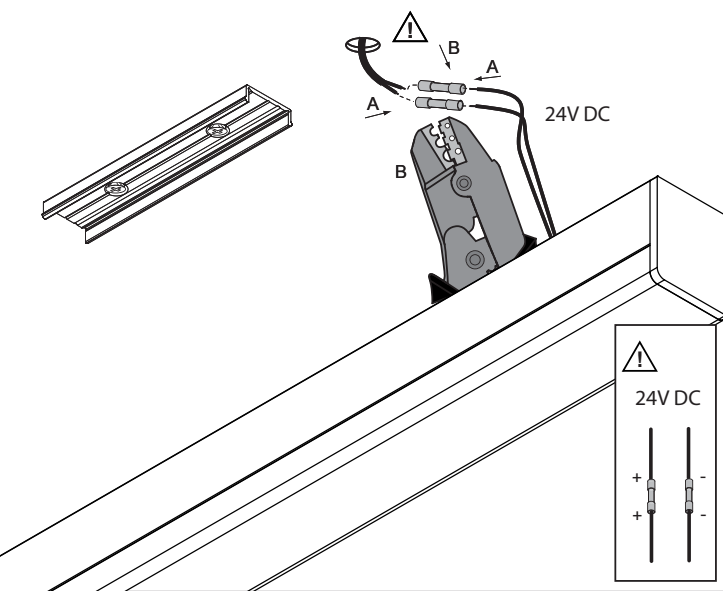
FTL25 - END CAP SET
375 03 01
Ø = A
SET OF 2 PCS



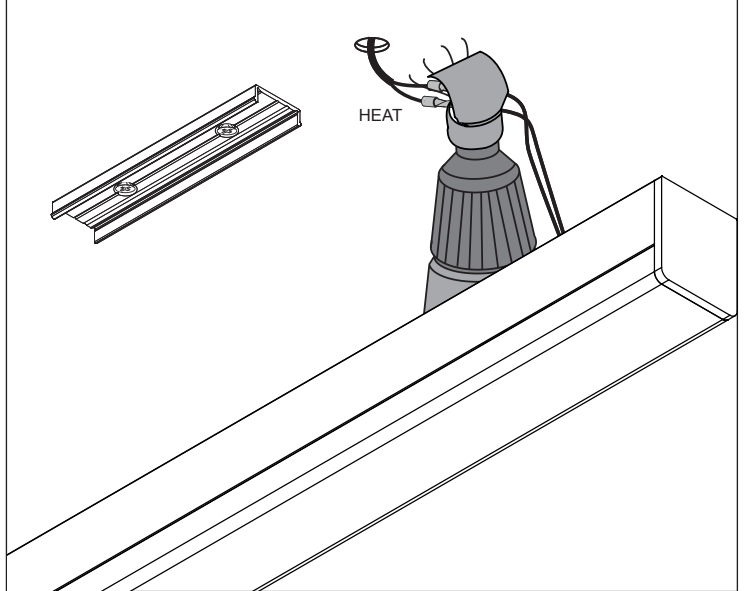
2 FTL25 - CEILING / WALL



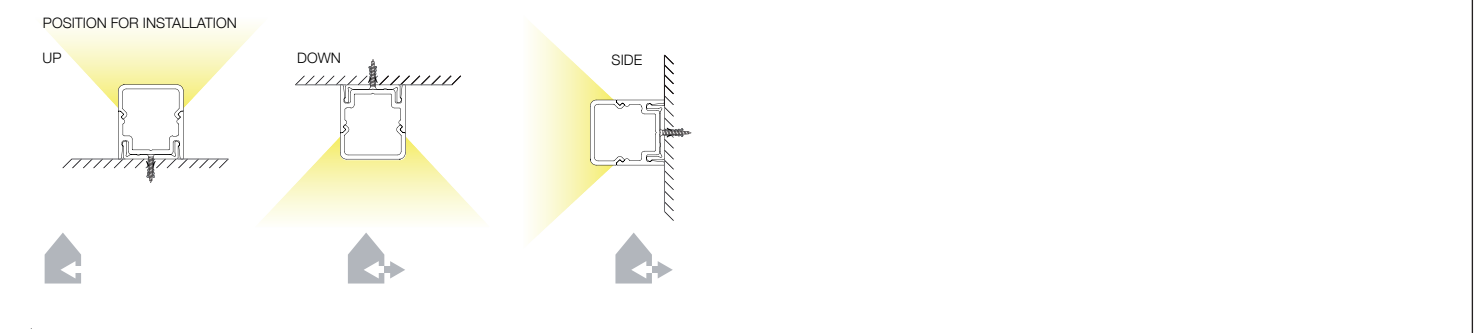
3 FTL25 - ELECTRICAL CONNECTION



4 FTL25 - ELECTRICAL CONNECTION



5 FTL25 - ELECTRICAL CONNECTION IN PROFILE

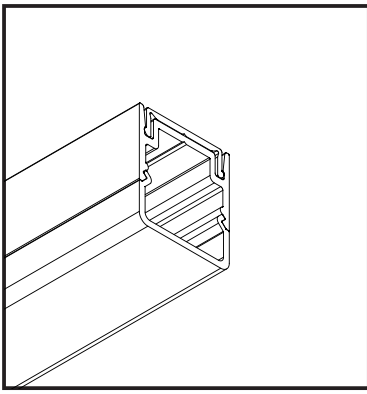


Ledflex			
5m - 24V-DC 0,3			
White		RGB	
Dividable per 100mm 60 smd LED/m		Dividable per 33,3mm 180 smd LED/m	Dividable per 167mm 30 smd LED/m
5W/m 360lm/m	15W/m 1000lm/m	22W/m 1800lm/m	8W/m



4000K				
	IN	LEDFLEX IN NW 300 91 52 04	LEDFLEX IN FP NW 300 91 53 04	
	OUT IP65	LEDFLEX OUT NW 300 91 62 04	LEDFLEX OUT FP NW 300 91 63 04	
3000K				
	IN	LEDFLEX IN WW 300 91 52 02	LEDFLEX IN FP WW 300 91 53 02	LEDFLEX IN HP WW 300 91 54 02
	OUT IP65	LEDFLEX OUT WW 300 91 62 02	LEDFLEX OUT FP WW 300 91 63 02	
2700K				
	IN	LEDFLEX IN HW 300 91 52 03	LEDFLEX IN FP HW 300 91 53 03	LEDFLEX IN HP HW 300 91 54 03
	OUT IP65	LEDFLEX OUT HW 300 91 62 03	LEDFLEX OUT FP HW 300 91 63 03	
RGB				
	IN			LEDFLEX IN RGB 300 91 52 33
	OUT IP65			LEDFLEX OUT RGB 300 91 62 33
FULL INFO / PAG TEC				
LED POWER SUPPLY 24V-DC / 20W 300 89 24 20	max.4 m	max.1 m	max.0,9 m	* max.2,4 m
LED POWER SUPPLY 24V-DC / 40W 300 89 24 40	max.8 m	max.2,5 m	max.1,83 m	* max.5 m
LED POWER SUPPLY 24V-DC / 60W 300 89 24 60	max.12 m	max.4 m (max.3m / Powerline)	max.2,76 m (max.3m / Powerline)	* max.7,36 m
LED POWER SUPPLY 24V-DC / 80W DIM1 300 89 24 80	max.16 m	max.5 m (max.3m / Powerline)	max.3,7 m (max.3m / Powerline)	
LED POWER SUPPLY 24V-DC / 150W 300 89 24 150	max.30 m	max.10 m (max.3m / Powerline)	max.6,9 m (max.3m / Powerline)	* max.18,72 m
LED POWER SUPPLY MULTI POWER DIM7 300 90 60	max.4 m	max.1 m	max.0,9 m	
LED POWER SUPPLY MULTI POWER DIM6 300 90 61	max.4 m	max.1 m	max.0,9 m	
RGB DRIVER 12/24V-DC 75/150W 300 90 331				* use in combination with Led Power Supply 24V-DC
RGB TOUCH CONTROLLER DMX 300 90 330				* use in combination with RGB Driver

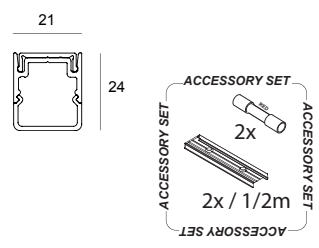
DIM1: dimming by 1-10V
DIM6: dimming by push button / falling edge dimmer
DIM7: dimming by push button / 1-10V



FTL25- PROFILE ◊
375 00 00 ◊
◊ = A
MAX. L / PROFILE : 6m
± 0,4Kg / m



DELTA LIGHT
Delta Light® nv.
Muzelstraat 2
B-3550 Wevelegem (Moorsele)
Belgium
Phone: +32(0)56 435 735
Fax: +32(0)56 435 736
E-mail: info@deltalight.com
www.deltalight.com



WAARSCHUWING Lees de algemene gebruiksvoorwaarden : **DEEL B**
AVERTISSEMENT Lire attentivement les conditions générales d'utilisation : **PARTIE B**
WARNING Lesen Sie die allgemeinen Gebrauchsanweisungen : **TEIL B**
WARNING Read the general directions : **PART B**
AMMONIZIONE Leggere attentamente le condizioni generali di utilizzazione : **PORTE B**
EDVERTENCIA Leer atentamente las condiciones generales de uso : **PARTE B**

- Bevestiging plafond opbouw
Montage plafond appliqué
Montage decke aufgebaut
Fixation ceiling surface mounted
Montaje techo montado al superficie
Montaggio soffitto montato a superficie
- Bevestiging wand opbouw
Montage mur appliqué
Montage wand aufgebaut
Fixation wall surface mounted
Montaje pared montado al superficie
Montaggio parete montato a superficie
- Geschikt voor binnen- en buitengebruik, rekening houdend met opgegeven IP-waarden
Convient a usage interieur et extérieur, prenant en compte l'IP indiquée
Eignet sich für innen- und aussenbereich, unter Berücksichtigung des angezeigten IP
Suitable for indoor and outdoor use, taking the indicated IP rating into consideration
Apto para uso interior y exterior en conformidad con el nivel IP indicado
Per utilizzo sia in interni che da esterni, da installare tenendo conto del suo grado di protezione (IP)