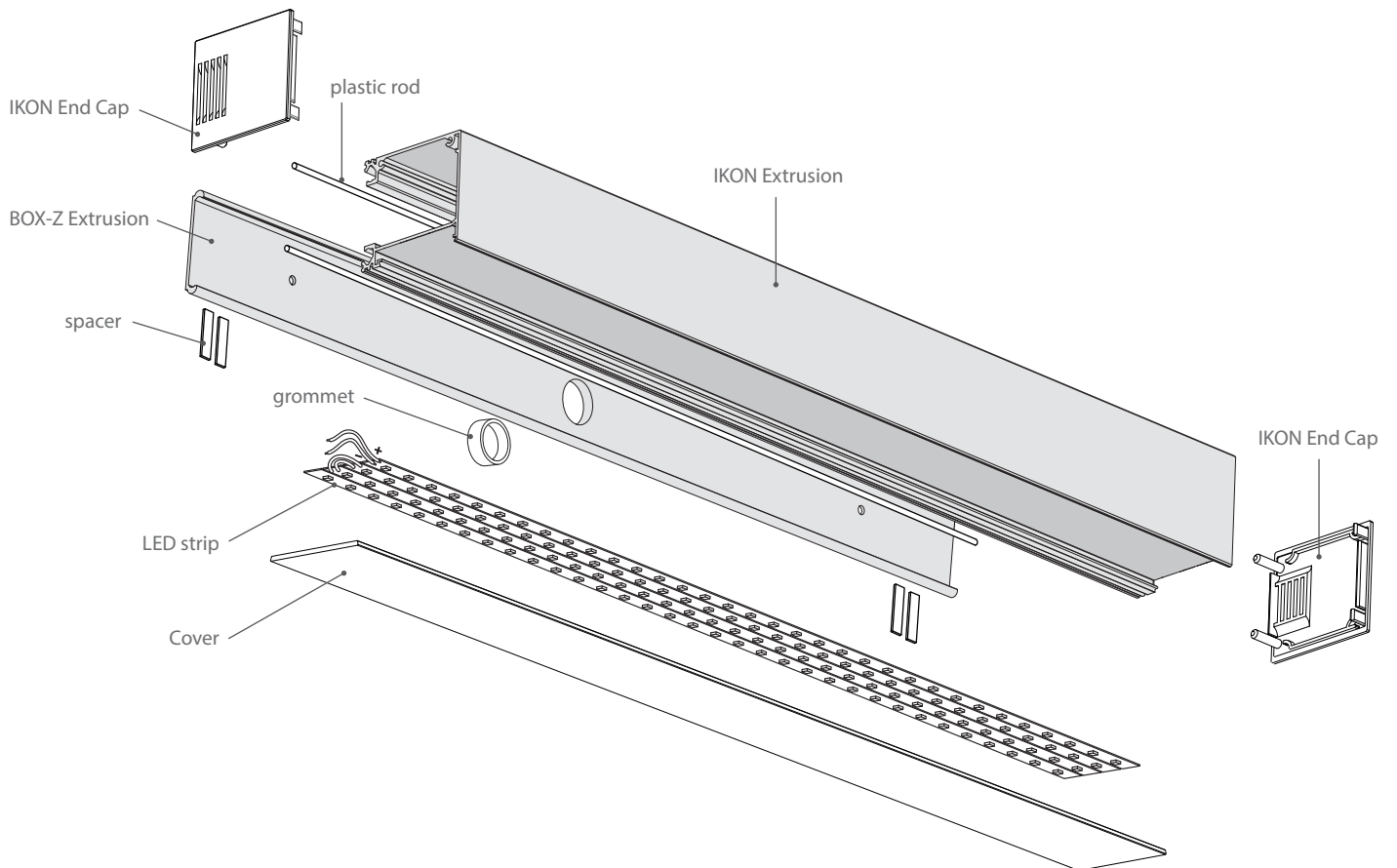
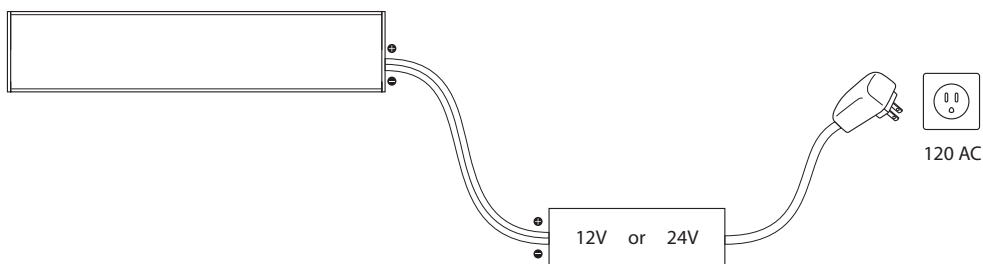




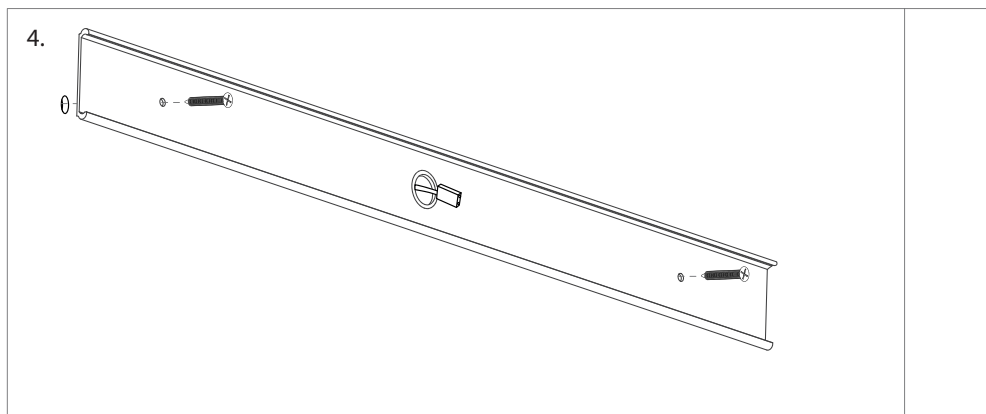
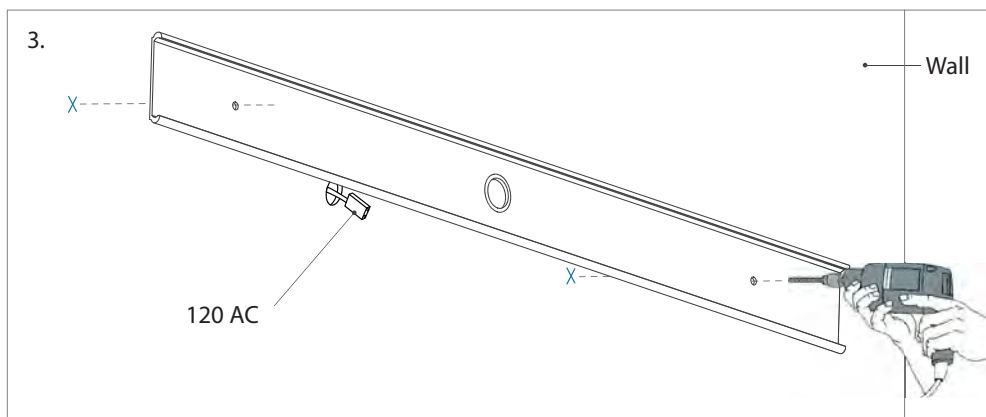
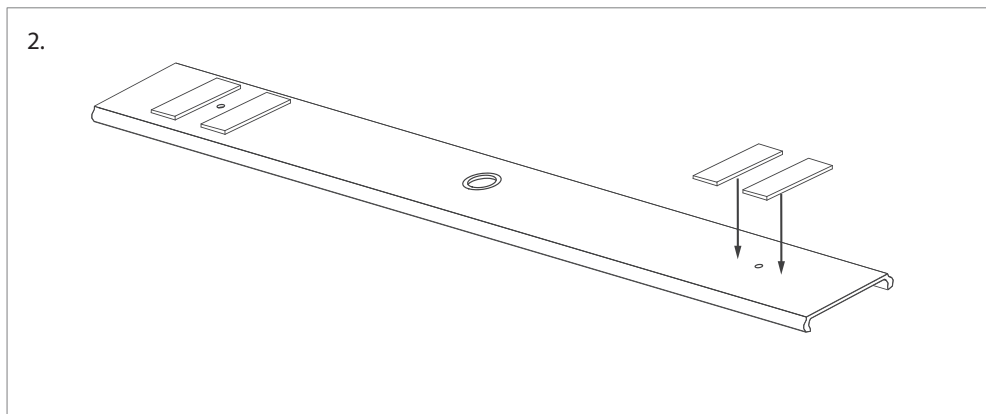
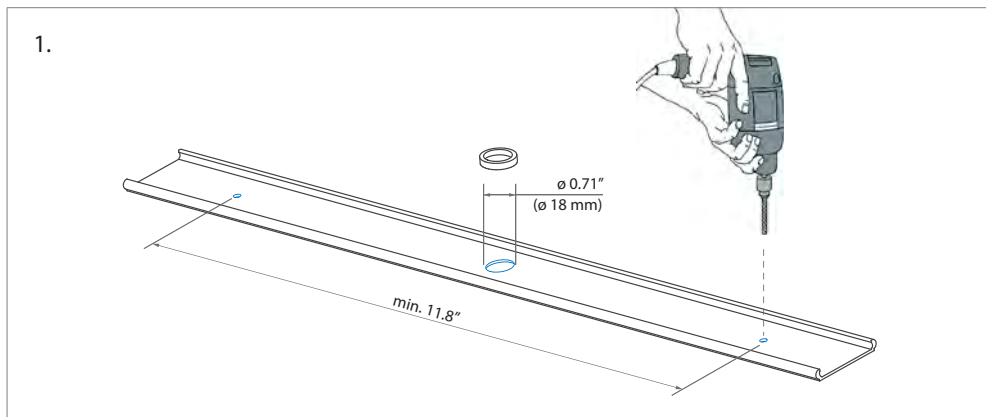
Basic fixture components



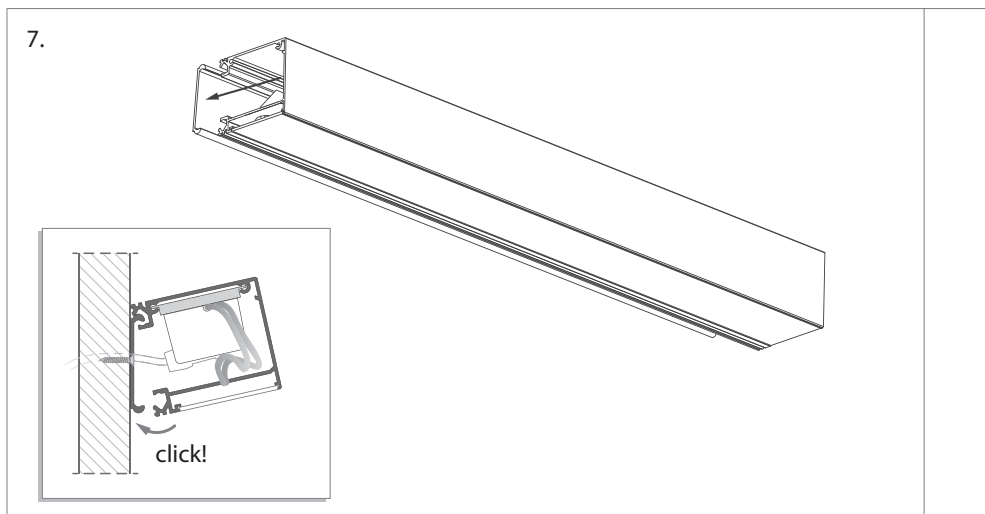
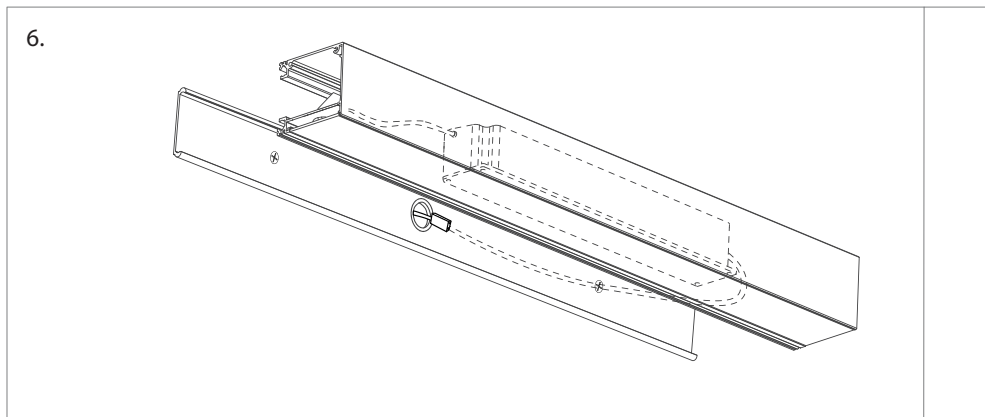
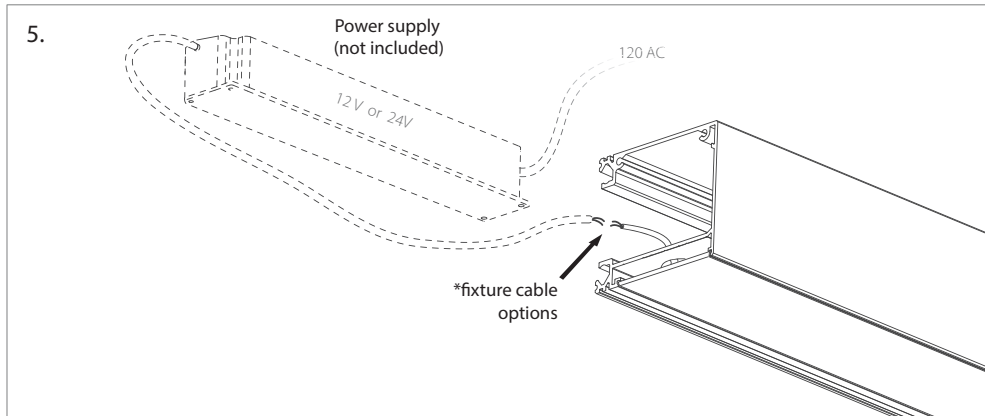
Wiring diagram



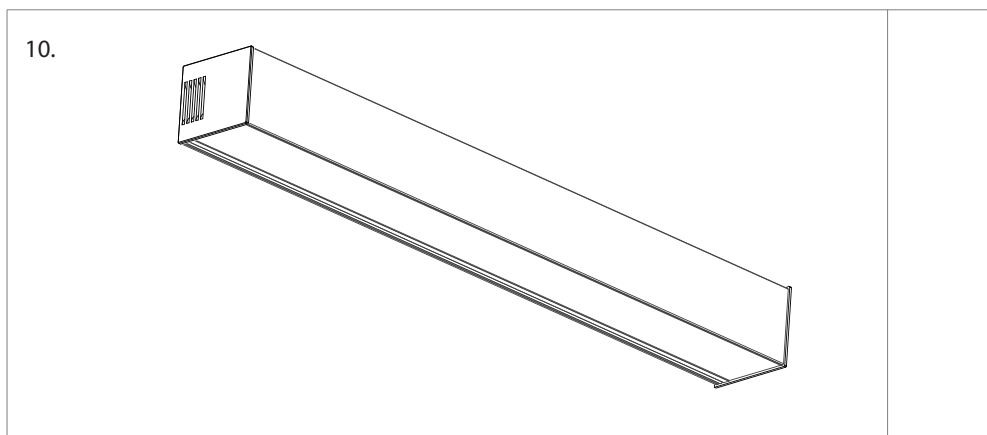
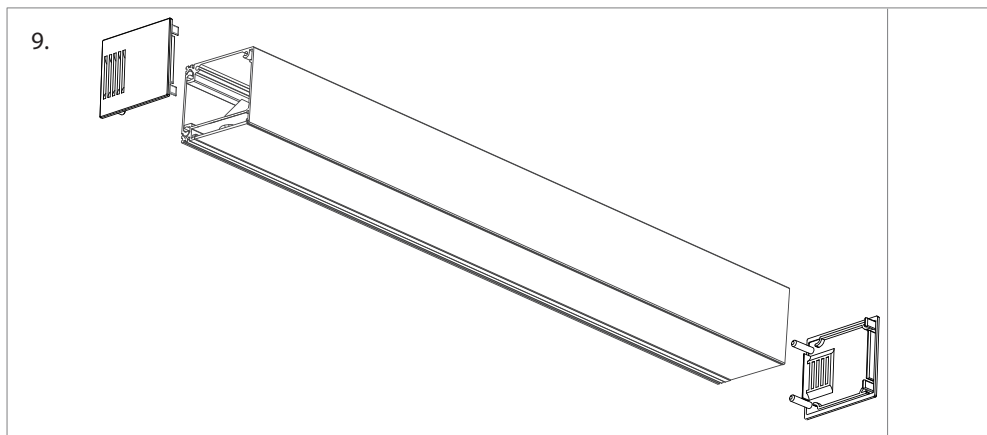
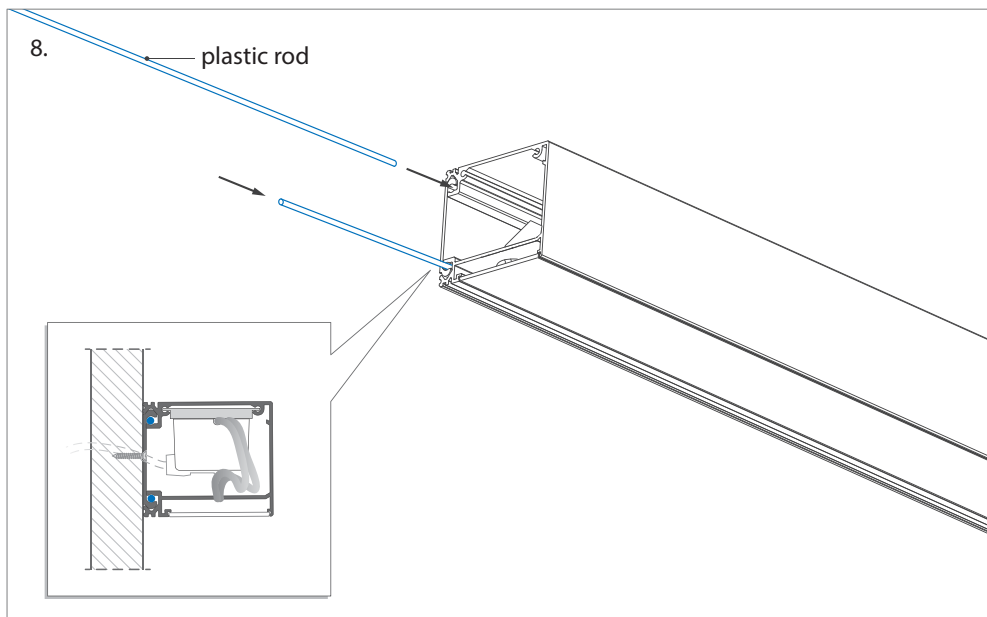
Mounting Instruction



Mounting Instruction



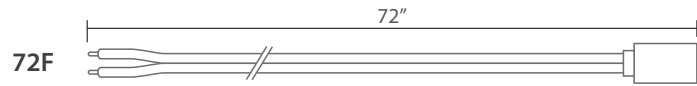
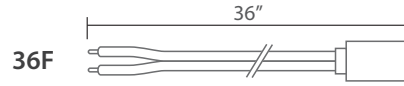
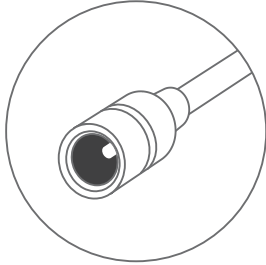
Mounting Instruction



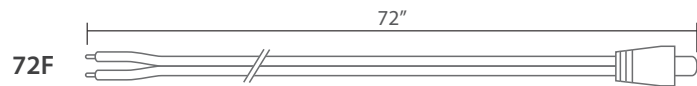
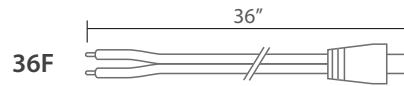
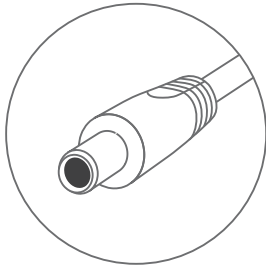
In order for the fixture to be ETL the power supply must be mounted remotely.
 If the power supply is mounted internally the fixture is not classified as ETL.

Fixture cable options

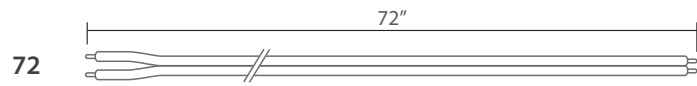
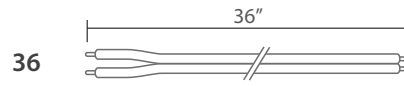
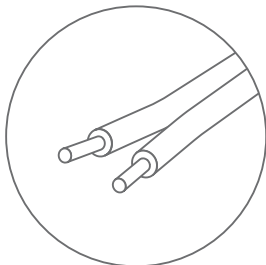
Female end



Male end



Wire end

***Examples of attaching a KLUS fixture to the power supply**