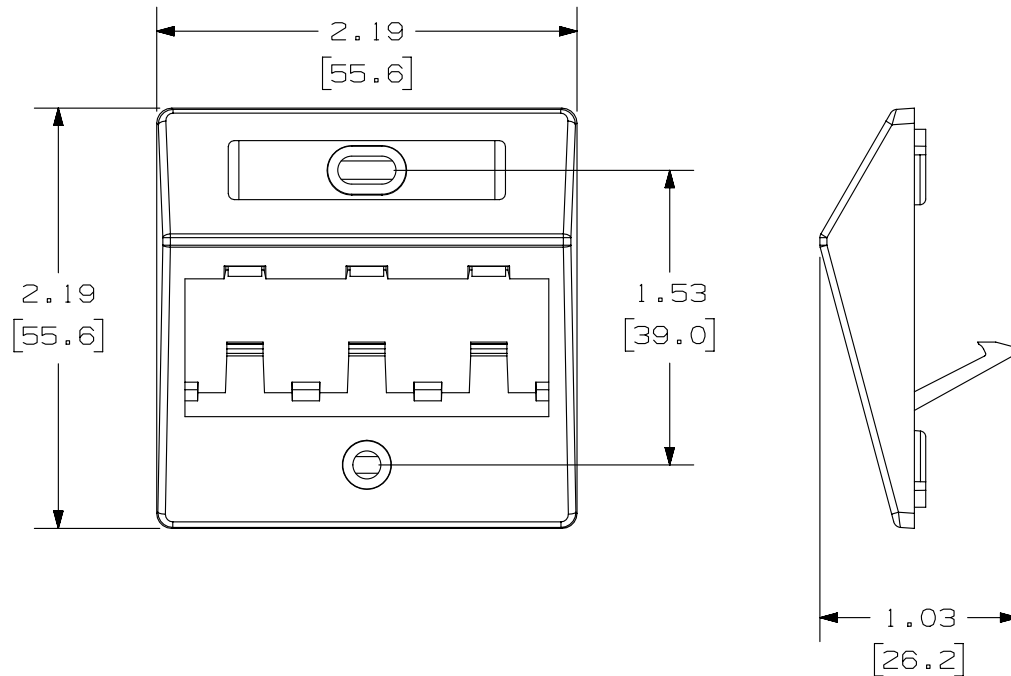


THIS COPY IS PROVIDED ON A RESTRICTED BASIS AND IS NOT TO BE USED IN ANY WAY DETRIMENTAL TO THE INTERESTS OF PANDUIT CORP.

PANDUIT P/N	WEIGHT
CHES3**Y	.64 LB/10 PCS. (290 G/10 PCS.)

NOTES:

1. SEE CURRENT CATALOG FOR ADDITIONAL PART NUMBER SUFFIXES TO INDICATE COLOR AND OR PACKAGE QUANTITY.
2. SEE CATALOG FOR COMPLETE LIST OF PARTS APPLICABLE FOR USE WITH THIS PART.
3. MUST BE USED IN CONJUNCTION WITH PANDUIT FCFP BEZEL OR OTHER SIMILAR 80MM X 80MM BEZELS.
4. DIMENSIONS IN [] ARE IN METRIC.
5. PART INCLUDES:
 - 1- SLOPED FACEPLATE
 - 2- MOUNTING SCREW
 - 1- SUPPORT RING
 - 1- LABEL
 - 1- LABEL COVER



PART NUMBER		CHES3**Y	
TITLE		MINI-COM 3 POSITION SLOPED 55mm X 55mm FACEPLATE CUSTOMER DRAWING	
ITEM REVISION NAME		M02479FS/00	PANDUIT
DATASET FILE NAME		M02479FS_DC151/00C	
UNLESS OTHERWISE SPECIFIED, DIMENSIONAL TOLERANCES ARE: IN [mm]		MATERIAL: ABS	
.x ± .xxx ± .010 [.3] .xx ± .03 [.8]		DRAWING NUMBER: 02479-151	
THIRD ANGLE PROJECTION		DRAWN BY: JSP DATE: 5-1-06	
CHK: MJD SCALE: NONE		SHT 1 OF 1	
SIZE: A			

2	4/23/14	JSP	REFR	MMR	REVISED AND REDRAWN, PREVIOUS REVISIONS HAVE BEEN OMITTED.	02479-151
REV	DATE	BY	CHK	APR	DESCRIPTION	ECN

D10100DA/14