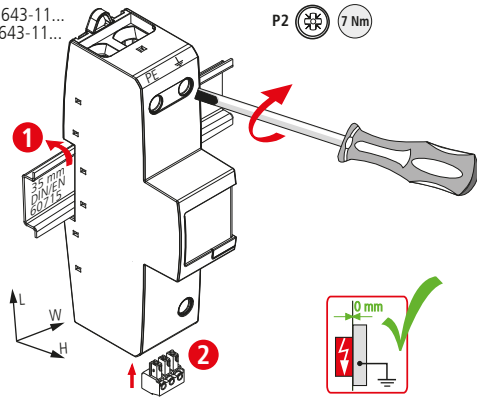
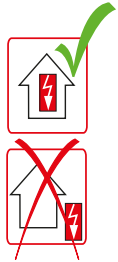


DEHNgap Maxi DGPM 440 (FM)

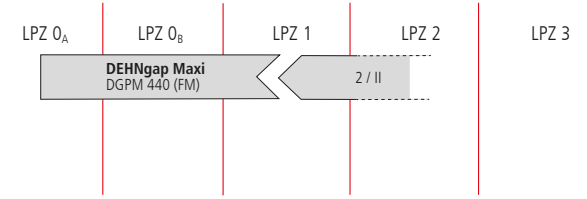
- DE Einbauanleitung
- GB Installation instructions
- IT Istruzioni di montaggio
- FR Instructions de montage
- NL Montagehandleiding
- ES Instrucciones de montaje
- PT Instruções de montagem
- DK Monteringsvejledning
- SE Monteringsanvisning
- FI Asennusohje
- GR Οδηγίες συναρμολόγησης
- PL Instrukcja montażu
- CZ Montážní návod
- TR Kurulum Talimatları
- RU Инструкция по монтажу
- CN 安装说明
- HU Szerelési útmutató
- JP 設置説明書



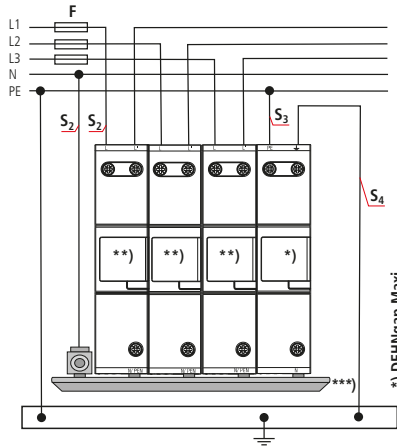
IEC 61643-11...
1 EN 61643-11...



| | DGPM 440 (FM) | DBM 1 440 (FM) |
|-----------------------------|--|------------------------------------|
| U _C | 440 V (50/60 Hz) | |
| U _N / Tol.: ±10% | 400 V (50/60 Hz) | |
| I _N | 100 A _{rms} | 50 kA _{rms} ¹⁾ |
| I _{SCCR} | --- | 50 kA _{rms} |
| I _{imp} 10/350 μs | 100 kA | 35 kA |
| max. ²⁾ | --- | 125 A gG |
| max. ³⁾ | --- | 500 A gG |
| θ° | -40°C ... +80°C (... +60°C ²⁾) | |
| φ | 5% ... 95% | |
| I _{PE} | < 1,5 mA | |
| IP ⁴⁾ | 20 | |
| L x W x H | 150 mm x 36 mm x 73 mm | |
| | | |
| min. □ PE, N, ⊥ | 10 mm ² | |
| max. □ PE, N, | 35 mm ² | 50 mm ² |
| max. □ ⊥ | 25 mm ² | 35 mm ² |



2) TT / TN-S 3+1

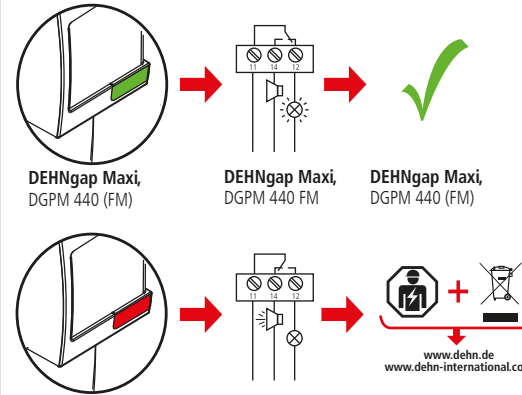


^{*)} DEHNgap Maxi, DGPM 440 (FM) 961 160 (961 165)

^{**)} DEHnbloc Maxi, DBM 1 440 (FM) 961 140 (961 145)

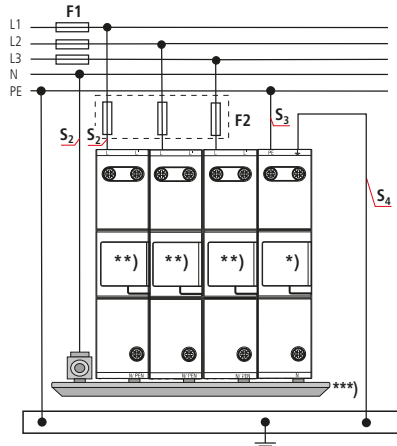
^{***)} MVS 1.4 8 TT, 900 849

| DEHnbloc Maxi DBM 1 440 (FM) | | F | S ₂ / mm ² | S ₃ / mm ² | S ₄ / mm ² |
|------------------------------|--------------|-----|----------------------------------|----------------------------------|----------------------------------|
| | F ≤ 125 A gG | 25 | 10 | 16 | 16 |
| | F > 125 A gG | 35 | 10 | 16 | 16 |
| | | 40 | 10 | 16 | 16 |
| | | 50 | 10 | 16 | 16 |
| | | 63 | 10 | 16 | 16 |
| | | 80 | 16 | 16 | 16 |
| | | 100 | 25 | 16 | 16 |
| | | 125 | 35 | 16 | 16 |



| DEHNgap Maxi DGPM 440 FM | | AC: 250 V / 0.5 A |
|--------------------------|--|--------------------------|
| | | DC: 250 V / 0.1 A |
| | | 125 V / 0.2 A |
| | | 75 V / 0.5 A |
| | | max. 1.5 mm ² |

3) TT / TN-S 3+1



^{*)} DEHNgap Maxi, DGPM 440 (FM) 961 160 (961 165)

^{**)} DEHnbloc Maxi, DBM 1 440 (FM) 961 140 (961 145)

^{***)} MVS 1.4 8 TT, 900 849

| DEHnbloc Maxi DBM 1 440 (FM) | | F1 / F2 | S ₂ / mm ² | S ₃ / mm ² | S ₄ / mm ² | T _a / s |
|------------------------------|------------------------|-----------------|----------------------------------|----------------------------------|----------------------------------|--------------------|
| | T _a ≤ 0,2 s | ... 80 A | 10 | 16 | 16 | 5 |
| | F1 ≤ 500 A | 100 ... 125 A | 16 | 16 | 16 | |
| | | 160 A | 25 | 25 | 25 | |
| | | 200 A | 35 | 35 | 25 | |
| | | 250 A | 50 | 50 | 25 | |
| | | > 315 ... 500 A | 50 | 50 | 25 | |
| | F1 > 500 A | | | | | |
| | F2 ≤ 500 A | | | | | |

