



Product designation				Enclosed switch disconnecter
Product type designation				GAZS
Number of poles		Nr.		3
Operating voltage type				AC
Contact characteristics				
IEC Conventional free air thermal current I _{th}		A		63
Rated insulation voltage U _i IEC/EN		V		1000
Rated impulse withstand voltage U _{imp}		kV		8
Operating current I _e				
AC21A				
	400V	A		63
	500V	A		63
	690V	A		63
AC22A				
	400V	A		63
	500V	A		45
	690V	A		45
AC23A				
	400V	A		45
	500V	A		25
	690V	A		25
Power dissipation per pole max		W		2.9
Rated operational power AC23A				
	400V	kW		22
	690V	kW		22
Conditional short-circuit current (rms)		kA		10
Short-circuit protection with fuse		Class/A		gG63
Making capacity AC23A 400V		A		450
Breaking capacity AC23A 400V		A		360
Mechanical life		cycles		100000
Electrical life AC21A		cycles		15000
Mechanical features				
Operating position		normal allowable		Vertical plan Any
Terminals				
		type		Pillar
		width	mm	5.6
		height	mm	6.5
		screw		M4
		tool		Phillips 2
Tightening torque for terminals				
	min	Nm		1.8
	max	Nm		2

	min	lbin	16
	max	lbin	18
Conductor section			
	IEC min	mm ²	0.75
	IEC max	mm ²	16
	AWG/kcmil min		18
	AWG/kcmil max		6

Ambient conditions

Operating temperature			
	min	°C	-25
	max	°C	+55

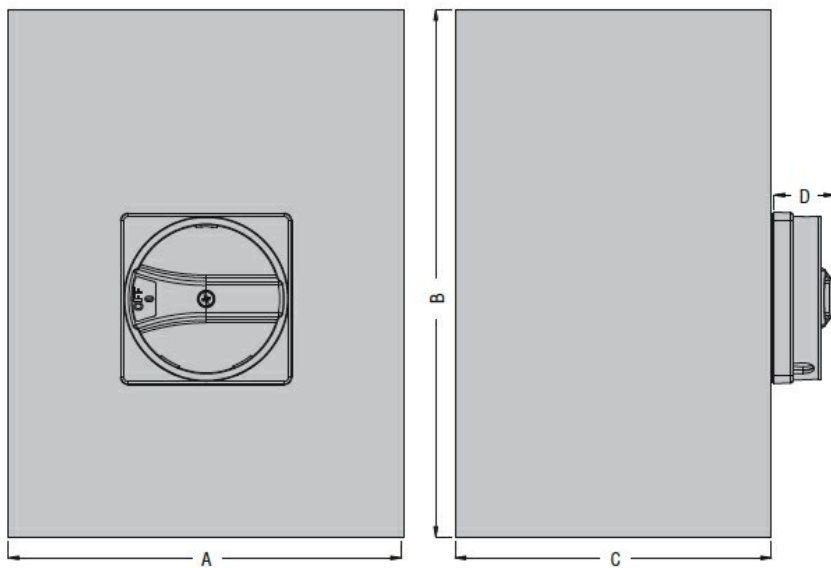
Storage temperature			
	min	°C	-40
	max	°C	+70

Max altitude			m	3000
---------------------	--	--	---	------

Resistance & Protection

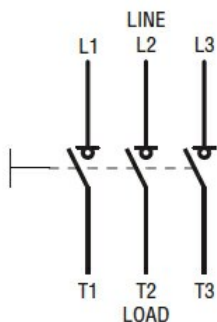
Frontal IP degree			IP65	
IP degree of protection			IP65	
Pollution degree			3	

Dimensions



Type	A	B	C	D
GAZS016...GAZS100...	150 (5.90")	200 (7.87")	120 (4.72")	23 (0.90")

Wiring diagrams



Certifications and compliance

Compliance

IEC/EN 60947-1
IEC/EN 60947-3

ETIM classification

ETIM 8.0

EC000216 -
Switch
disconnecter