

Product designation				Rotary cam switches
Product type designation				GX16
<b>General characteristics</b>				
Switching diagram				51 - Changeover switch 1 pole
N° of elements				1
Mounting form				U11 - Front mounting with black handle without front plate for hole diam. 22mm fixing
<b>Contact characteristics</b>				
Rated insulation voltage $U_i$	IEC/EN	V	690	
	UL/CSA	V	600	
Rated impulse withstand voltage $U_{imp}$			kV	6
Conventional free air thermal current $I_{th}$	IEC/EN	A	16	
	UL/CSA	A	12	
Rated operational voltage			V	440
Rated operational impulse voltage			kV	4
Maximum fuse size for short-circuit protection $I_n$ (gG)	10kA	A	16	
	15kA	A	16	
	25kA	A	16	
Rated short time current $I_{cw}$			1s	A
				250
Conductivity				10/5 mA/V
Operational current $I_e$ IEC/EN	AC1/AC21A		A	16
	AC15			
	110V	A	10	
	220/230V	A	8	
	380/400V	A	4	
	660/690V	A	1.5	
Rated operational power in AC	Three-phase AC-3			
	220/230V	kW	3.5	
	380/440V	kW	4.5	
	500/690V	kW	5.5	
	Single-phase AC-3			
	110V	kW	0.55	
	220/230V	kW	1.5	
	380/440V	kW	2.2	
	Three-phase AC23A			
	220/230V	kW	3.7	
	380/440V	kW	6.5	
	500/690V	kW	7.5	
Single-phase AC23A				
110V	kW	0.75		

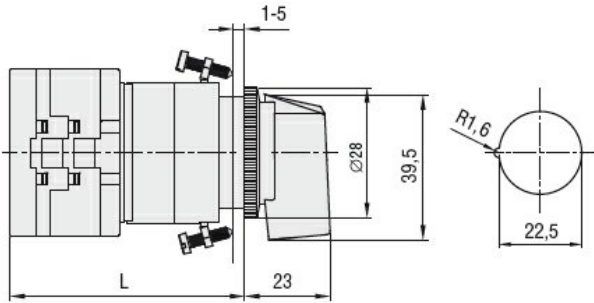
	220/230V	kW	1.8
	380/440V	kW	3
<hr/>			
Rated operational current in DC			
DC21A			
	48V	A	16
	60V	A	16
	110V	A	4
	220V	A	0.6
	440V	A	0.25
<hr/>			
DC23A (poles in series)			
	24V	A	16 (1)
	48V	A	16 (2)
	60V	A	16 (3)
	110V	A	10 (3)
	220V	A	7 (4)
<hr/>			
DC13			
	24V	A	16
	48V	A	14
	60V	A	10
	110V	A	1
	220V	A	0.4
	440V	A	0.15
<hr/>			
Power dissipation		W	0.6
<b>Mechanical features</b>			
Terminals screw			3M
Tightening torque for terminals max		Nm	0.5
<hr/>			
Conductor size			
AWG - Rigid cable			
	min	AWG	20
	Max	AWG	12
<hr/>			
AWG - Flexible cable			
	min	AWG	20
	Max	AWG	12
<hr/>			
Conductor size (IEC) - Flexible cable			
	min	mm <sup>2</sup>	0.5
	Max	mm <sup>2</sup>	2.5
<hr/>			
Conductor size (IEC) - Rigid cable			
	min	mm <sup>2</sup>	0.5
	Max	mm <sup>2</sup>	2.5
<hr/>			
Mechanical life		cycles	1X10 <sup>6</sup>
<b>UL technical data</b>			
Motor power for direct-on-line control			
for three-phase motor			
	120V	HP	1.5
	240V	HP	3
	480V	HP	5
	600V	HP	5
<hr/>			
for single-phase motor			
	120V	HP	0.75
	240V	HP	1
<hr/>			
<b>Ambient conditions</b>			
Temperature			
Operating temperature			
	min	°C	-25

Storage temperature	max	°C	+55
	min	°C	-40
	max	°C	+70

**Resistance & Protection**

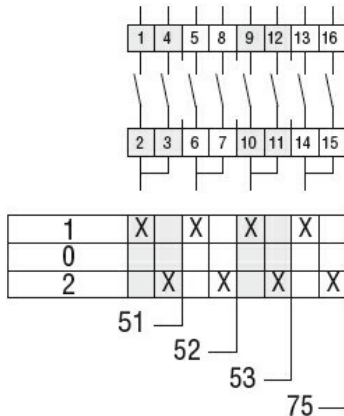
Frontal IP degree	IP65
Terminals IP degree	IP20

**Dimensions**



Series	L			
	1	2	3.....8	
<b>GX16</b>	54	62.5	71	147.5
<b>GX20</b>	54	62.5	71	147.5

**Wiring diagrams**



**Certifications and compliance**

**Compliance**

CSA C22.2 n° 14
IEC/EN/BS 60947-1
IEC/EN/BS 60947-3
IEC/EN/BS 60947-5-1
IEC/EN/BS 61058-1
UL60947-4-1

**Certificates**

cULus
EAC

**ETIM classification**

ETIM 8.0

EC001029 -  
Selector switch,  
complete