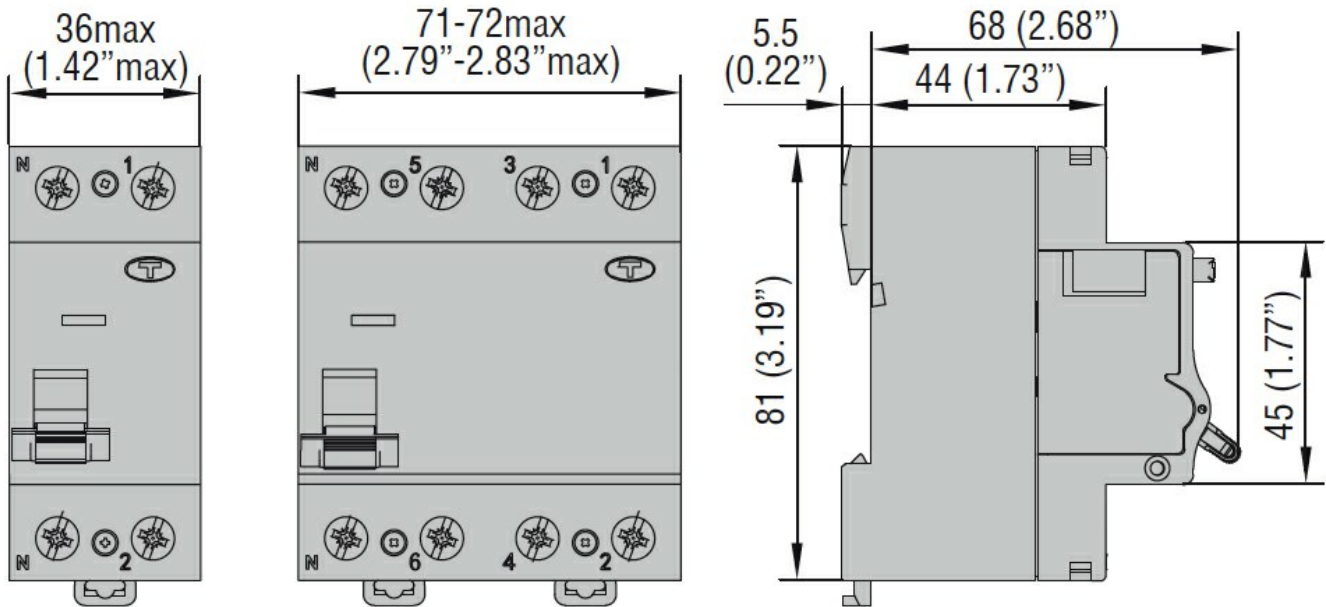
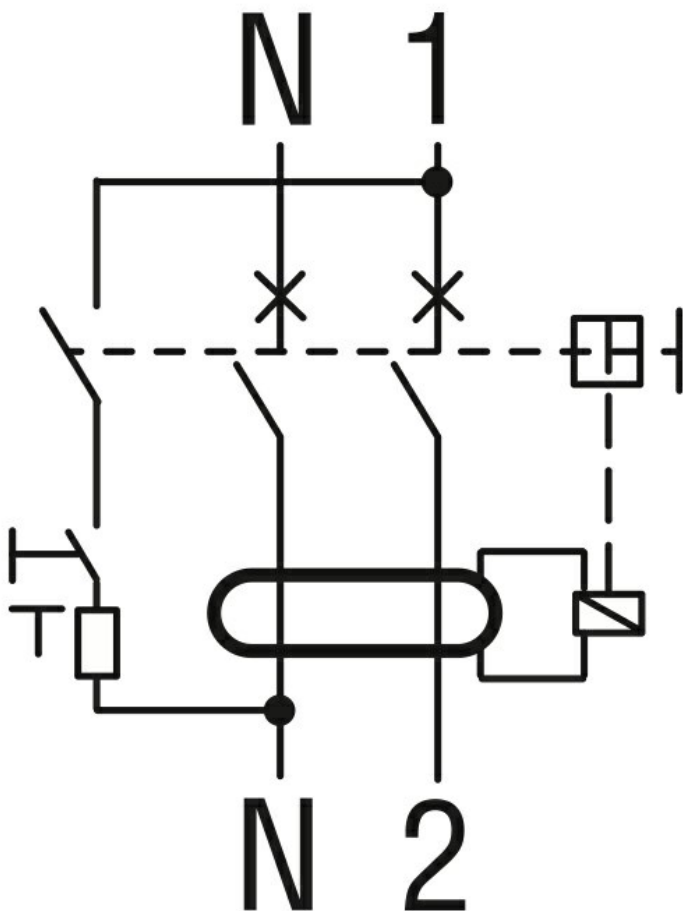




| | | | |
|---|--|-----------------|---------------|
| Product designation | Residual current circuit breakers (RCCB) | | |
| Product type designation | P1RD | | |
| Number of poles | 2P | | |
| Number of DIN modules | 2 | | |
| Compliance | IEC | | |
| Electrical features | | | |
| Rated insulation voltage U_i IEC/EN | V | 400 | |
| Rated impulse withstand voltage U_{imp} | kV | 4 | |
| Rated operational voltage AC (IEC) | VAC | 230 | |
| Rated frequency | Hz | 50/60 | |
| Rated current (I_n) | A | 63 | |
| Residual operation characteristic | | AC | |
| Rated residual current | mA | 30 | |
| Short circuit rating (IEC) | kA | 10 | |
| Electrical life | cycles | 10000 | |
| Ambient conditions | | | |
| Operating temperature | min | °C | -35 |
| | max | °C | +70 |
| Storage temperature | min | °C | -40 |
| | max | °C | +80 |
| Max altitude | | m | 2000 |
| Mechanical features | | | |
| Operating position | normal | | Vertical plan |
| | | | 35mm DIN rail |
| Fixing | 35mm DIN rail | | |
| Tightening torque for terminals | max | Nm | 2 |
| | max | lbin | 15 |
| Terminals tool | Pz 2 | | |
| Conductor section | IEC | | |
| | min | mm ² | 2.5 |
| | max | mm ² | 35 |
| | AWG/Kcmil | | |
| | min | | 14 |
| | max | | 2 |
| Mechanical life | cycles | 20000 | |
| Weight | g | 185 | |
| Frontal IP degree | IP20 | | |
| Pollution degree | 2 | | |
| Dimensions | | | |



Wiring diagrams



Certifications and compliance

Compliance

IEC/EN/BS 61008-1

Certifications

EAC
TÜV-SUD

ETIM classification

ETIM 8.0

EC000003 -
Residual current
circuit breaker
(RCCB)