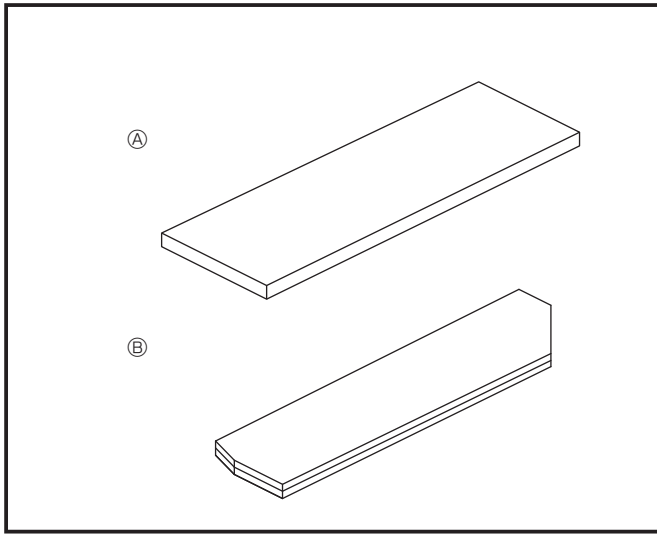




Figure



Descriptions

Part to block the air outlet of a cassette-type indoor unit.

Applicable Models

- PLA-ZM·EA series
- PLA-M·EA series
- PLA-SM·EA series

Specifications

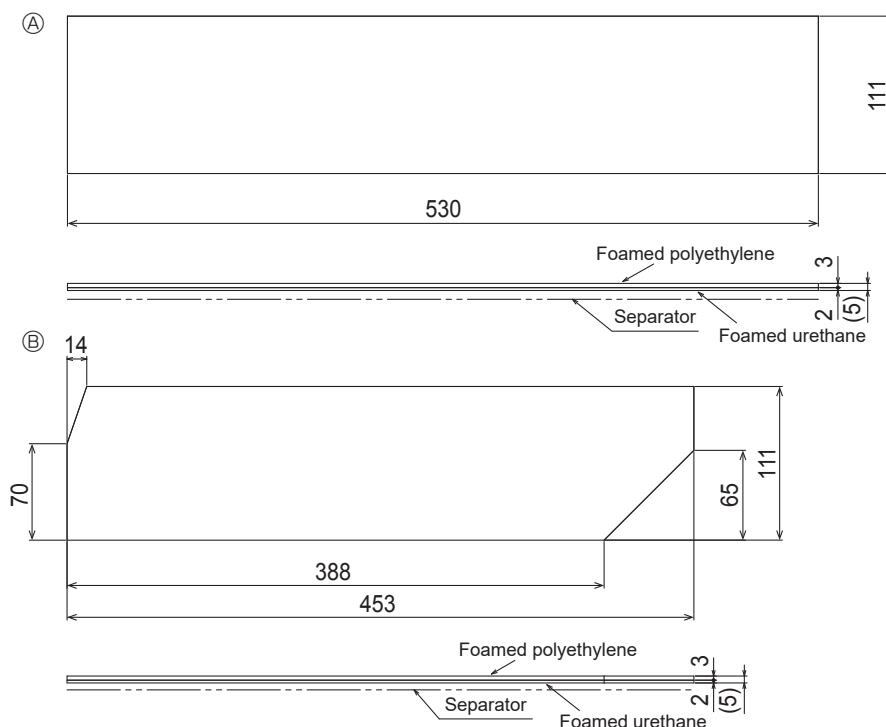
Air outlet pattern	Number of shutter plates	
	4 directions → 3 directions	1
	4 directions → 2 directions	2

(Change to 1 direction is not possible.)
 Note 1: Selecting "2 directions" requires cleaning of the filter approximately once. (Filter clogging may cause cooling/heating performance to drop.)
 Note 2: Selecting "3 directions" or "2 directions" may increase operating sound.
 Note 3: "2 directions" should not be selected when operating in high-temperature/high-humidity environment. (Dew formation or dewdrop may result.)
 Note 4: When set to "2 ways", the unit cannot be used with the optional high efficiency filter element.
 Note 5: When this air outlet shutter plate is installed, a draft reduction setting is not available.

Material	Foamed polyethylene + Foamed urethane
Color	Black
Installation method	Glued to the air outlet of the indoor unit.

Dimensions

Unit : mm



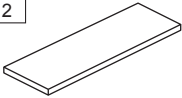
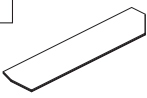
OPTIONAL PARTS

INDOOR UNIT

How to Use / How to Install

Checking for provided parts

Make sure that the parts shown on the right are in this bag, along with the instruction sheet.

Part #, Name	① Shutter plate	② Shutter plate
Q'ty	2	1
Figure		

Air-outlet shutter plate Installation Manual

1. Locate the Shutter Plate installation position

- This is a part which is used to convert the number of air-outlet from "4 ways" to "3 ways" or "2 ways".

Note: Convert to "1 way" is not available.

- Select the outlet direction and decide the outlet to be closed.

Notes:

1. When the number of outlet is selected to "2 ways", be sure to explain to the customer that the filter should be cleaned once a month. (Otherwise, the filter will be clogged, and the performance of the cooling and heating can be lower.)
2. When the number of outlet is selected to "3 ways" or "2 ways", the operation noise can be larger.
3. Never to select "2 ways" in the environment of high temperature and high humidity. (It can cause dew drops.)

2. Installation of shutter plate (Fig.1)

- Install the shutter plate to the indoor unit so that it can fit the air-outlet concave portion.

Notes:

1. Install one piece of Shutter plate ① per one air-outlet.
2. The installation should be done before the grille is installed.
3. The shutter plate must be installed not to cause wrinkle or gap. (It can cause dew drops.)

4. When attaching the shutter plate to the blow outlet (marked ★) between the refrigerant piping and the drain pump, attach the shutter plate ②.

3. Function setting

- When the number of air-outlet is changed, it is necessary to make function selection.

For the setting method, refer to the installation manual of the main unit.

4. Setting of the auto vane (Fig.2)

- It is possible to fix the auto vane of the grille to the fully closed position, which is applied to the air-outlet installed on the shutter plate.

Once the auto vane is fixed, the operation of a remote controller and all of automatic control will not be available.

Note that the fixed vane angle differs from the one which is displayed on the remote controller.

